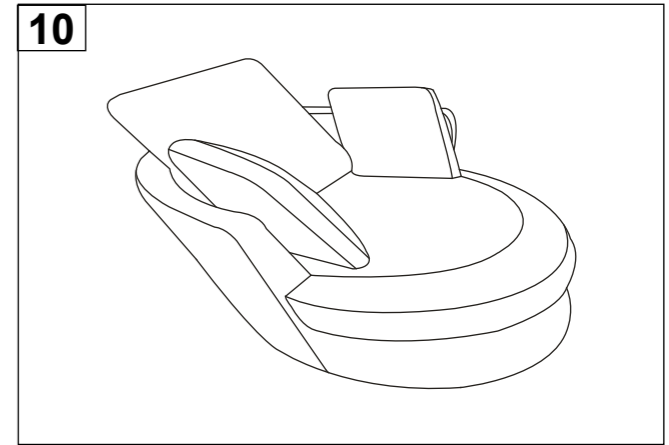
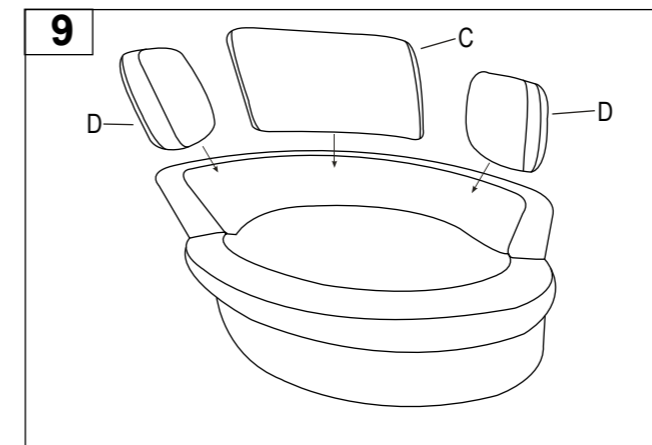
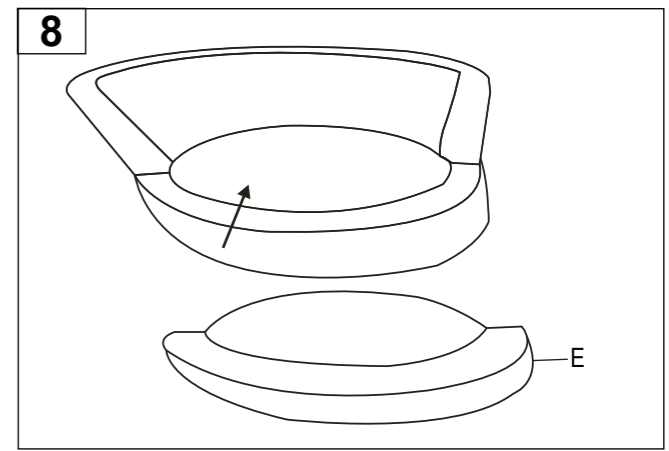
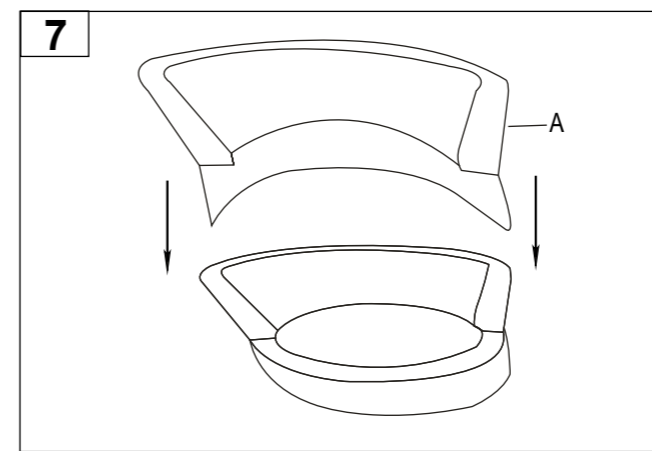
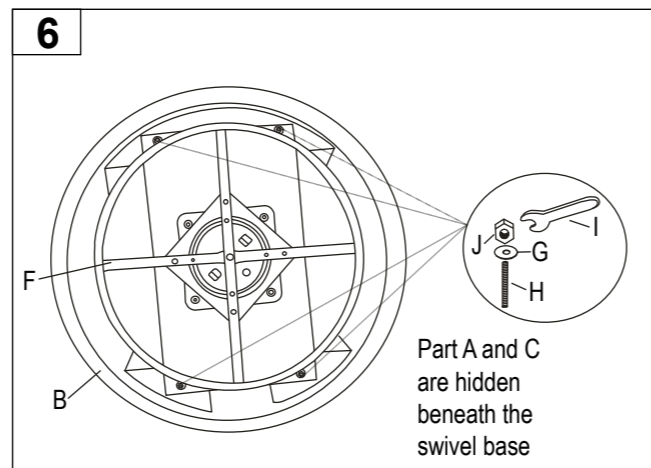
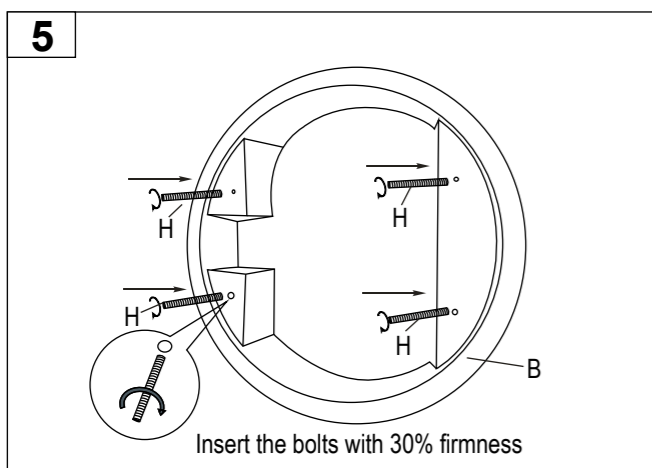
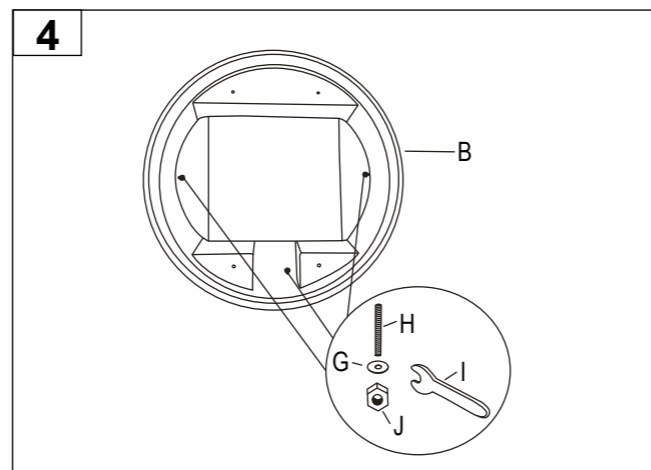
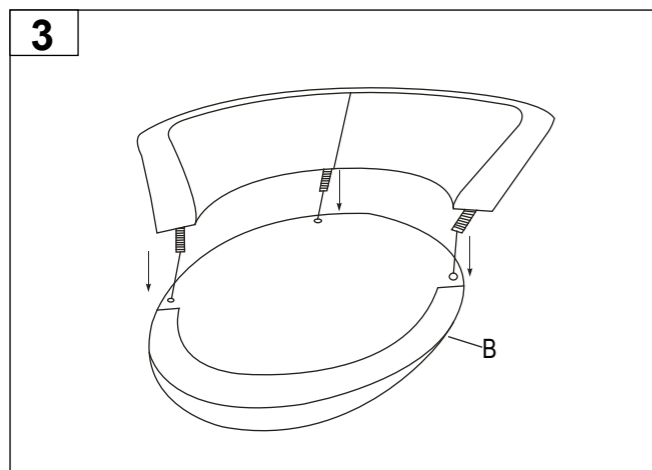
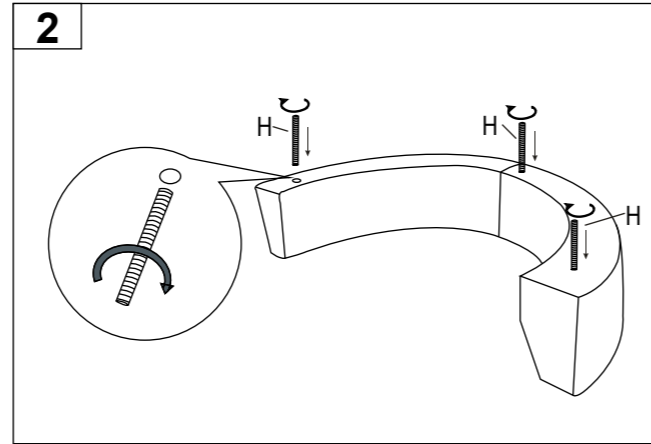
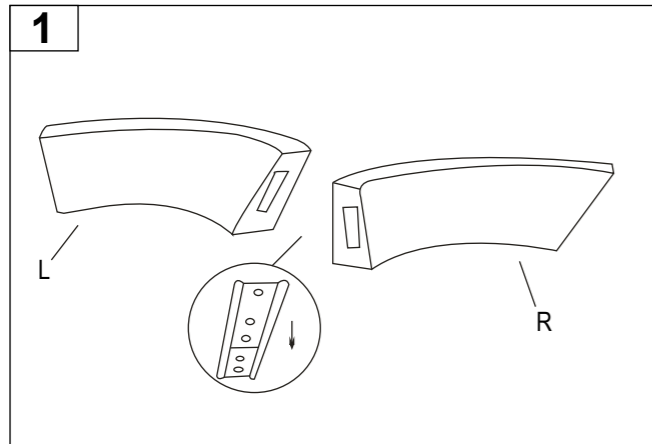


ASSEMBLY INSTRUCTION



PARTS LIST (NO TOOLS REQUIRED)

NO.	DESCRIPTION	PARTS	QTY	NO.	DESCRIPTION	PARTS	QTY
L	Left Backrest		1	R	Right Backrest		1
A	Backrest Cover		1	B	Seat		1
C	Middle Pillow		1	D	Side Pillow		2
E	Seat Cushion		1	F	Swivel Base		1
G	Flat Washers		7	H	Bolts		7
I	Wrench		1	J	Nuts		7

Hardware Pack Location: In the corner of inside carton