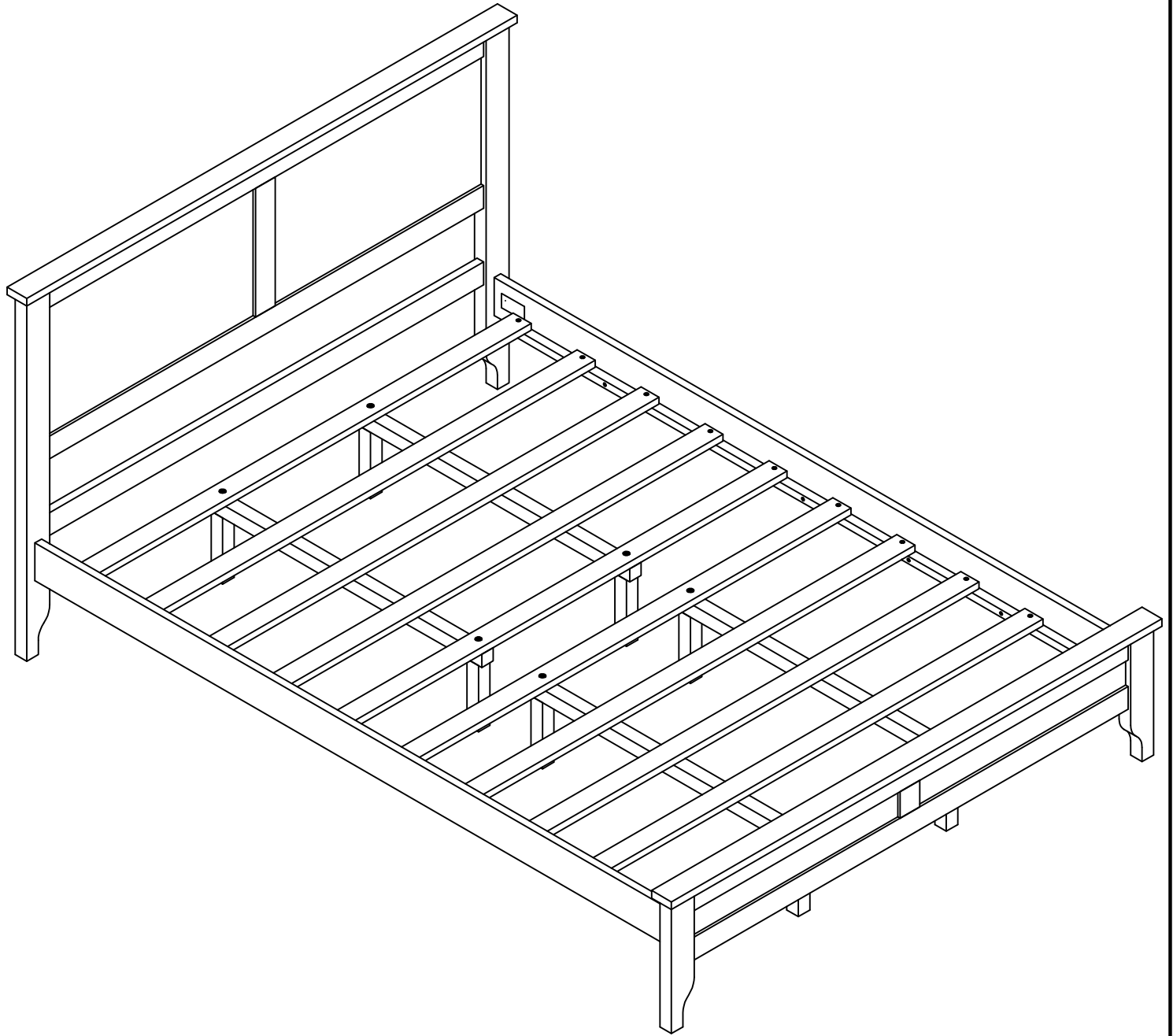
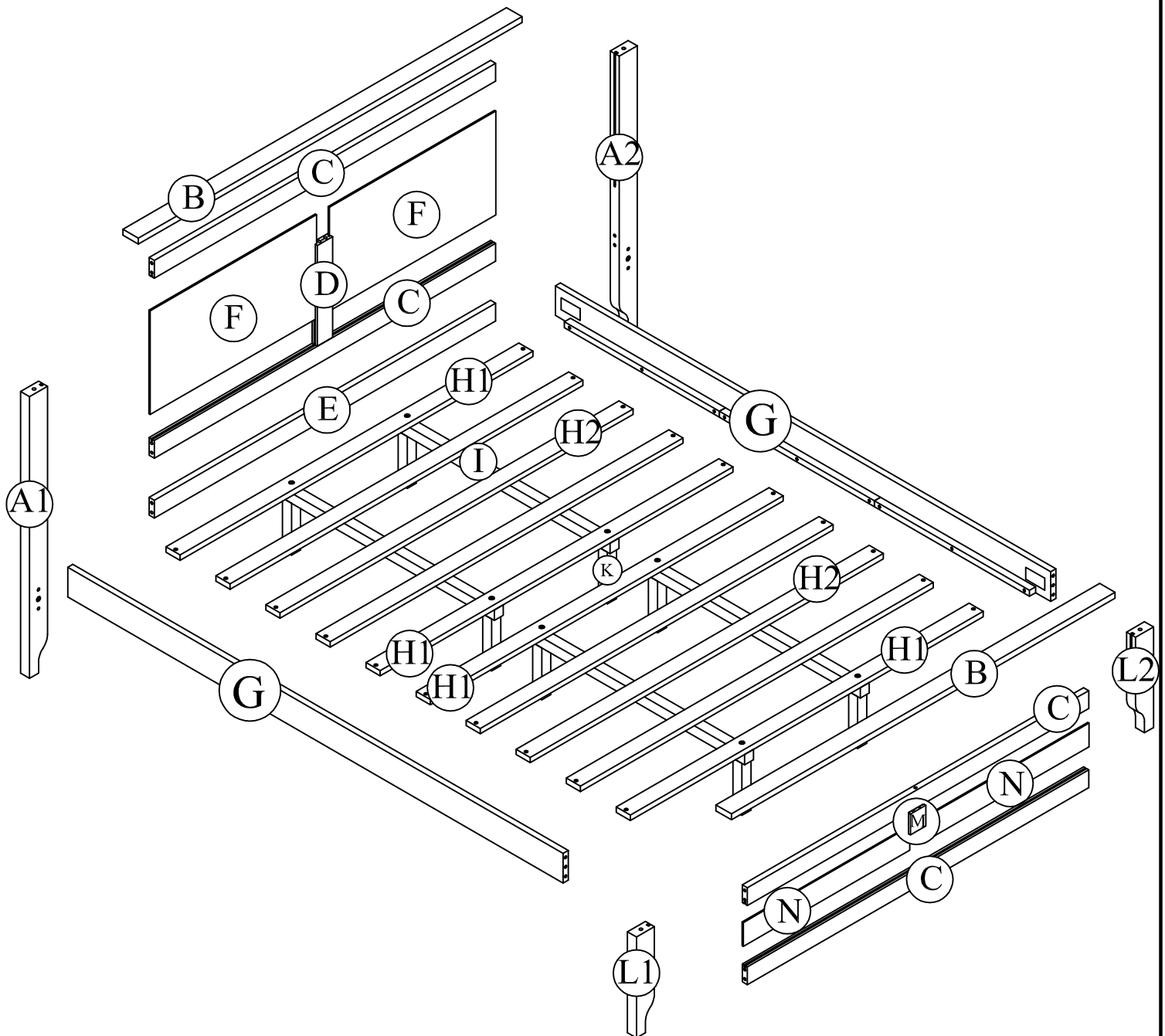


ASSEMBLY INSTRUCTION

SKU CODE : WF283526

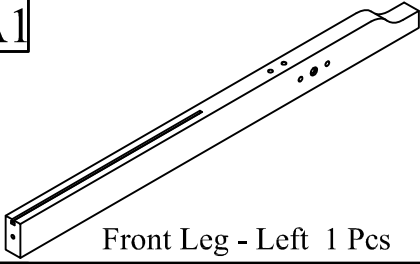


ASSEMBLY INSTRUCTION



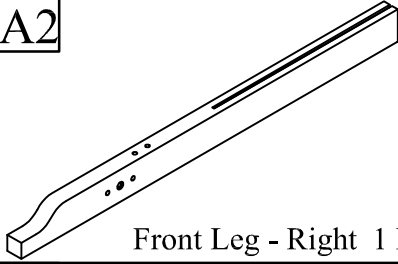
Part List (WF283526)

A1



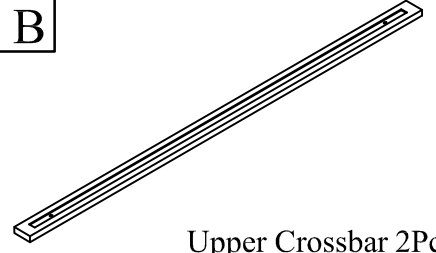
Front Leg - Left 1 Pc

A2



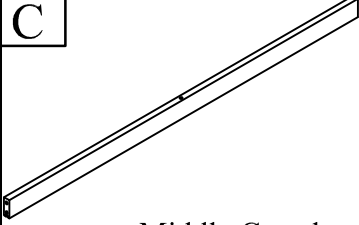
Front Leg - Right 1 Pc

B



Upper Crossbar 2Pcs

C



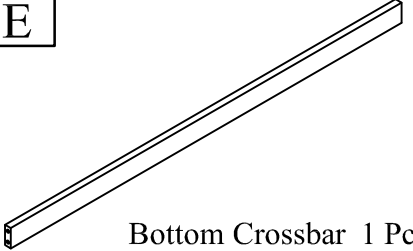
Middle Crossbar 4 Pcs

D



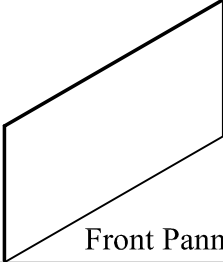
Front CrossBar 1Pcs

E



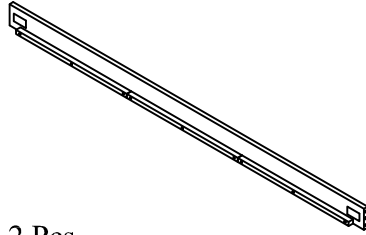
Bottom Crossbar 1 Pcs

F



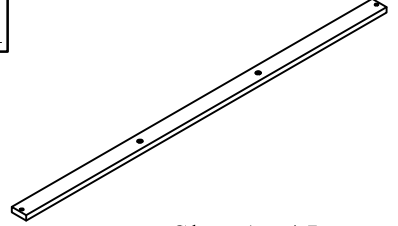
Front Pannel 2Pcs

G



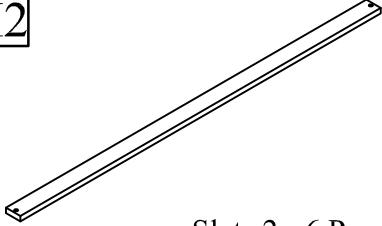
Side rail 2 Pcs

H1



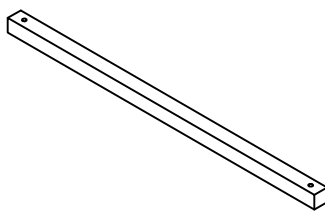
Slats 1 - 4 Pcs

H2



Slats 2 - 6 Pcs

I



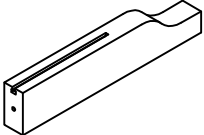
Support Slats - 4 Pcs

K



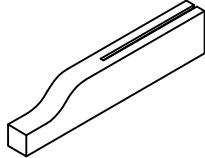
Support Leg - 8 Pcs

L1



Back Leg - Left : 1 Pcs

L2



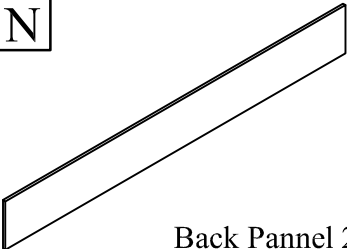
Back Leg - Right : 1 Pcs

M

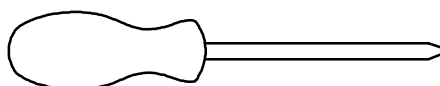


Back CrossBar 1Pcs

N

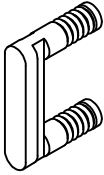
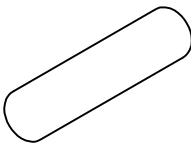
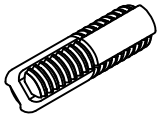

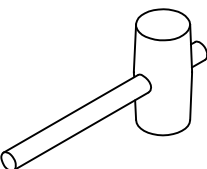
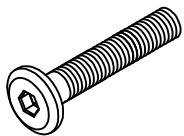
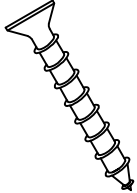
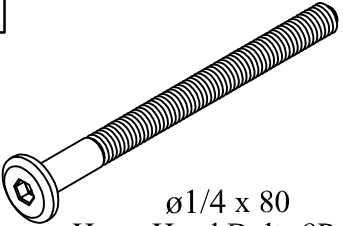





Back Pannel 2Pcs

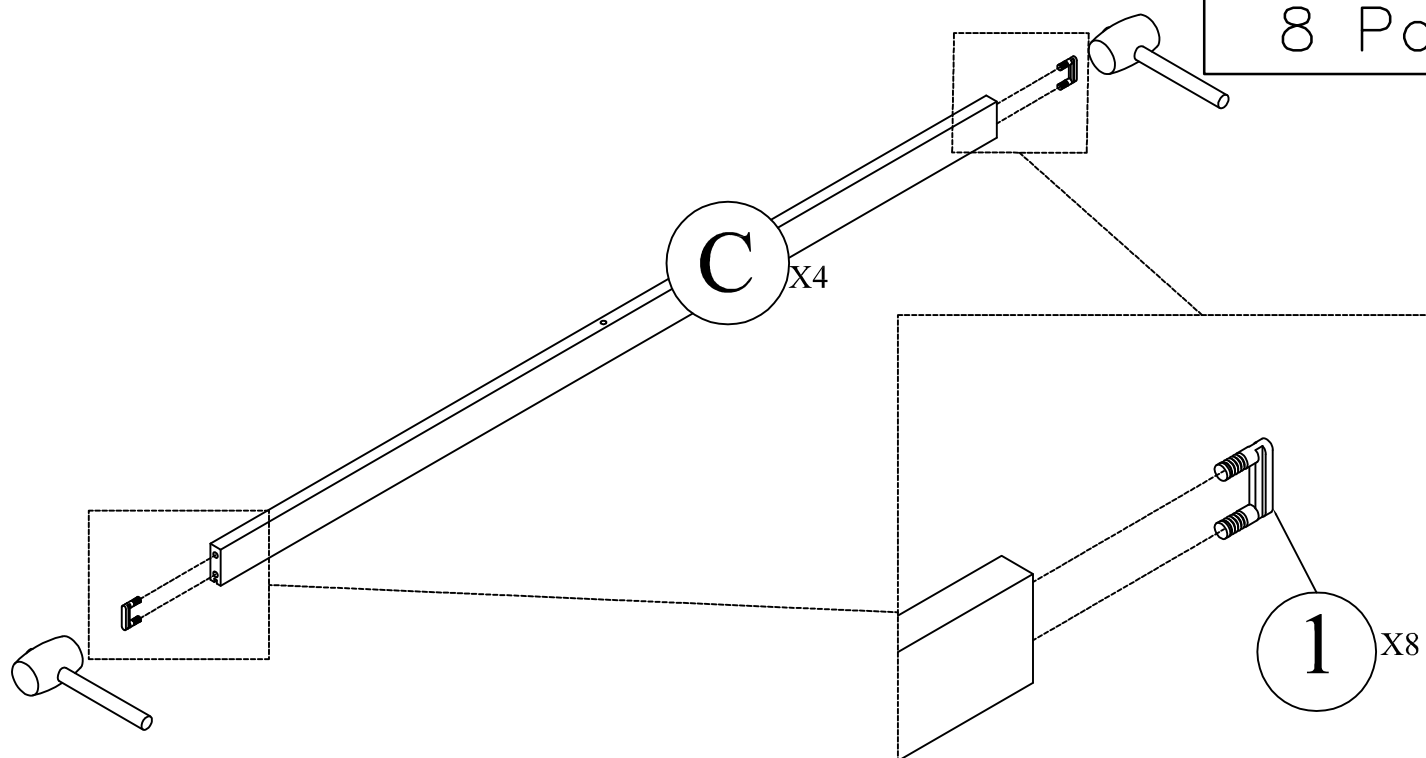


Assembly Tools Required (Not Included)

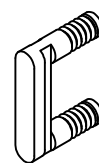
Hardware List (WF283526)

<p>1</p>  <p>Latch U 8Pcs</p>	<p>2</p>  <p>Wooden Pegs 10 Pcs</p>	<p>3</p>  <p>Link Latch 16 Pcs</p>
<p>4</p>  <p>Screw M4x65 4Pcs</p>	<p>5</p>  <p>Rubber Hammer - 1pc</p>	<p>6</p>  <p>ø1/4 x 35 Hex - Head Bolts 4Pcs</p>
<p>7</p>  <p>Screw M4x30 20Pcs</p>	<p>8</p>  <p>ø1/4 x 80 Hex - Head Bolts 8Pcs</p>	<p>9</p>  <p>Allen Key 1pc</p>
<p>10</p>  <p>Iron Steel - 6pc</p>	<p>11</p>  <p>Screw M4x15 12Pcs</p>	

STEP 1-1: Following below illustration:



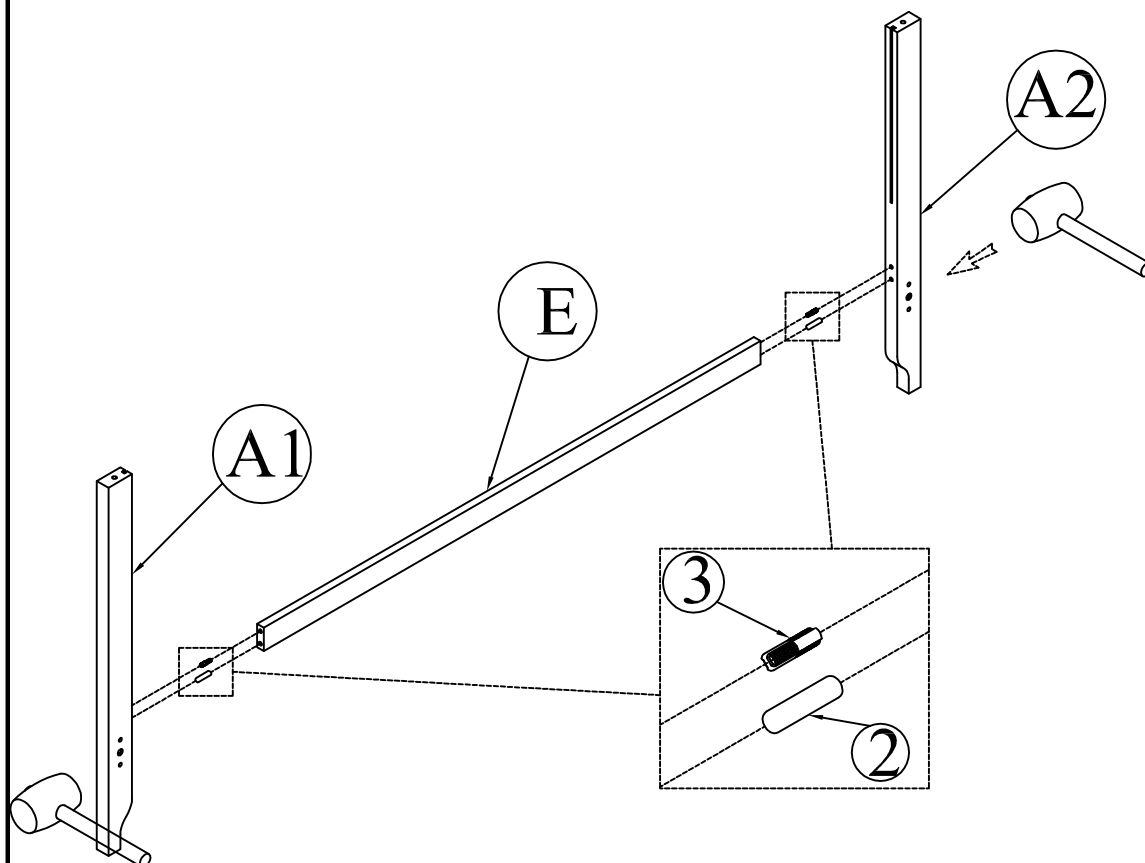
1



8 Pcs

1 X8

STEP 1-2: Following below illustration:

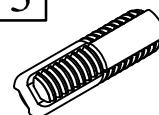


2



2 pcs

3



2 pcs

A1

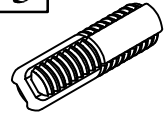

E

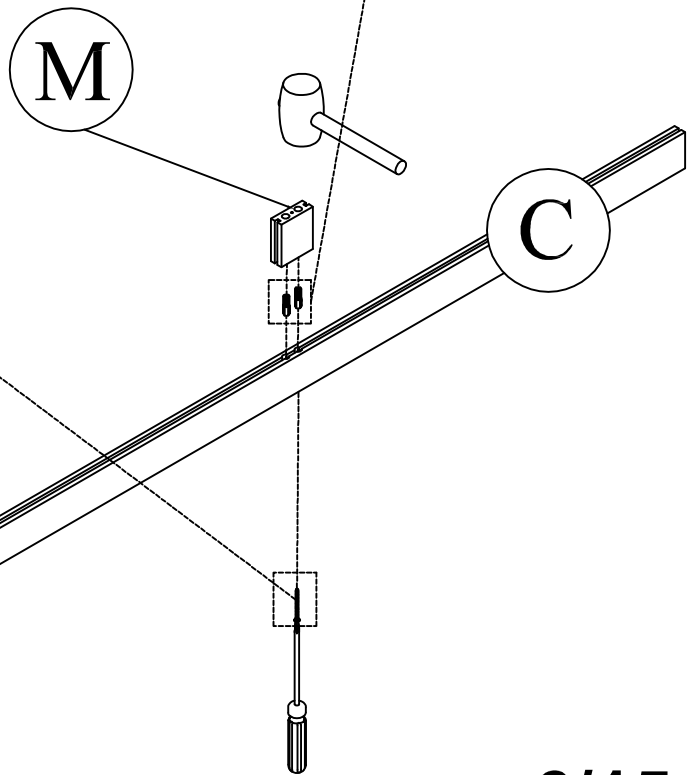
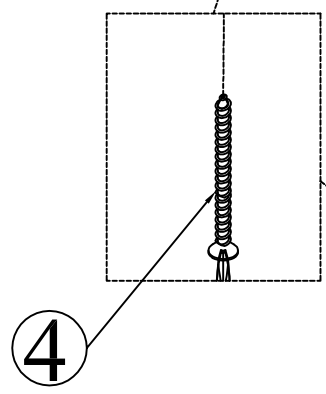
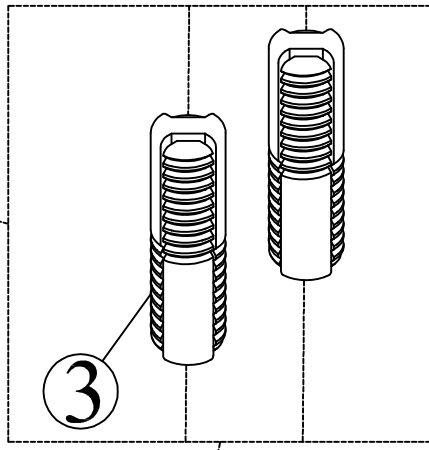
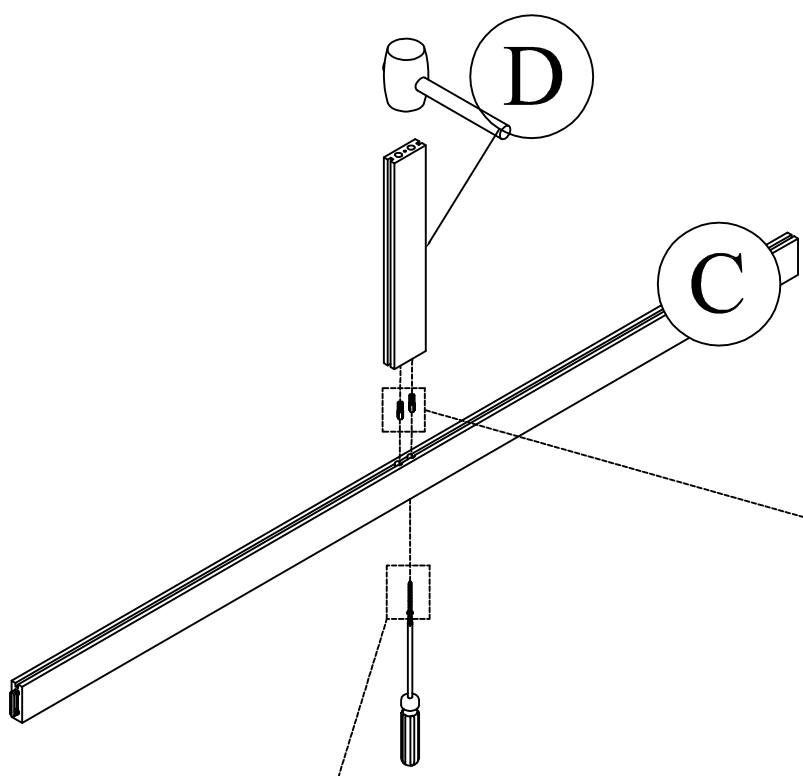
A2

3

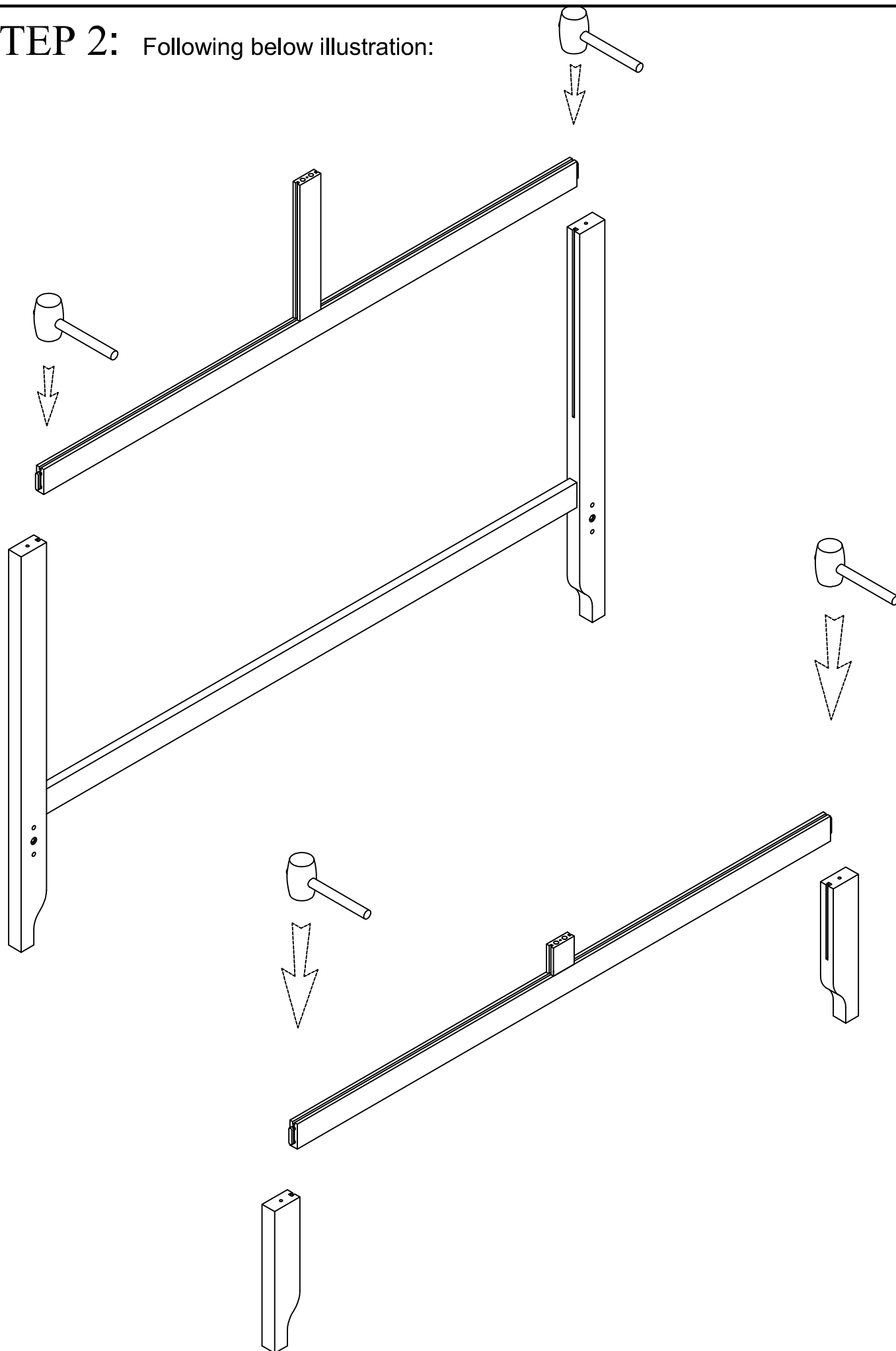
2

STEP 1-3: Following below illustration:

3	4
	
4 pcs	2 pcs

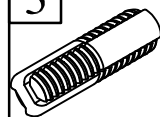


STEP 2: Following below illustration:

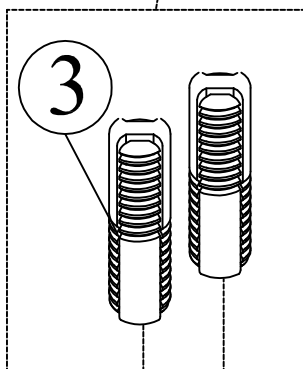
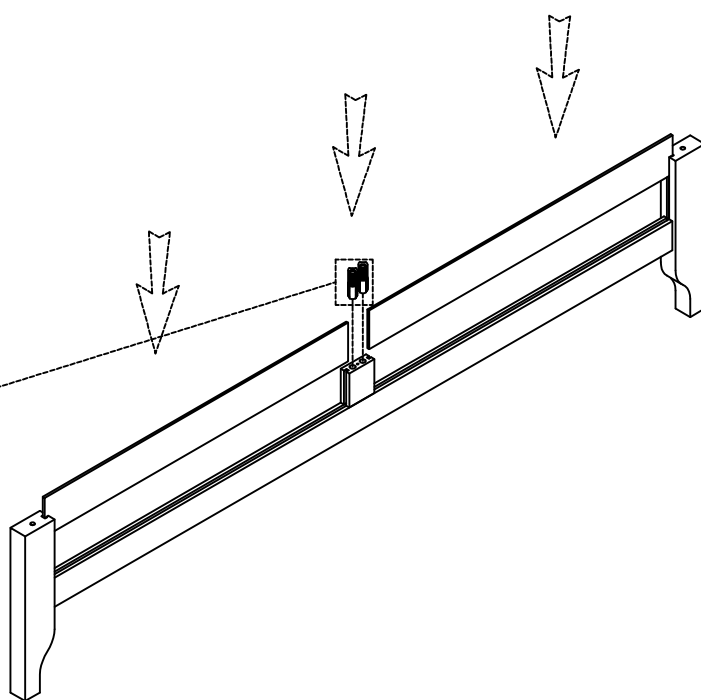
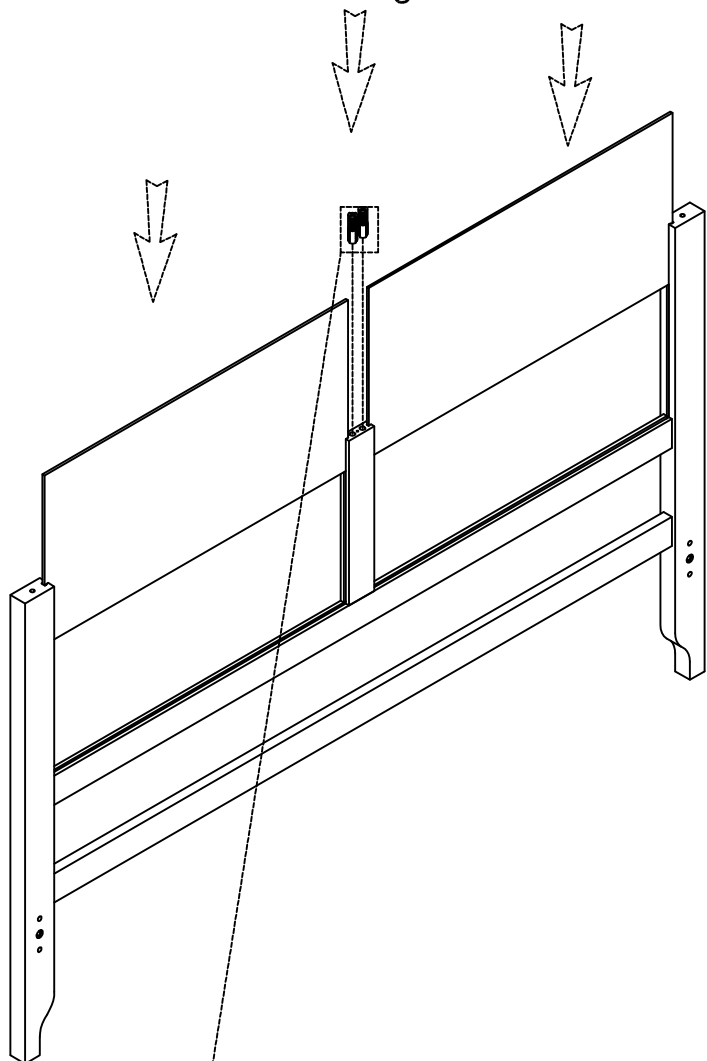


STEP 3: Following below illustration:

3

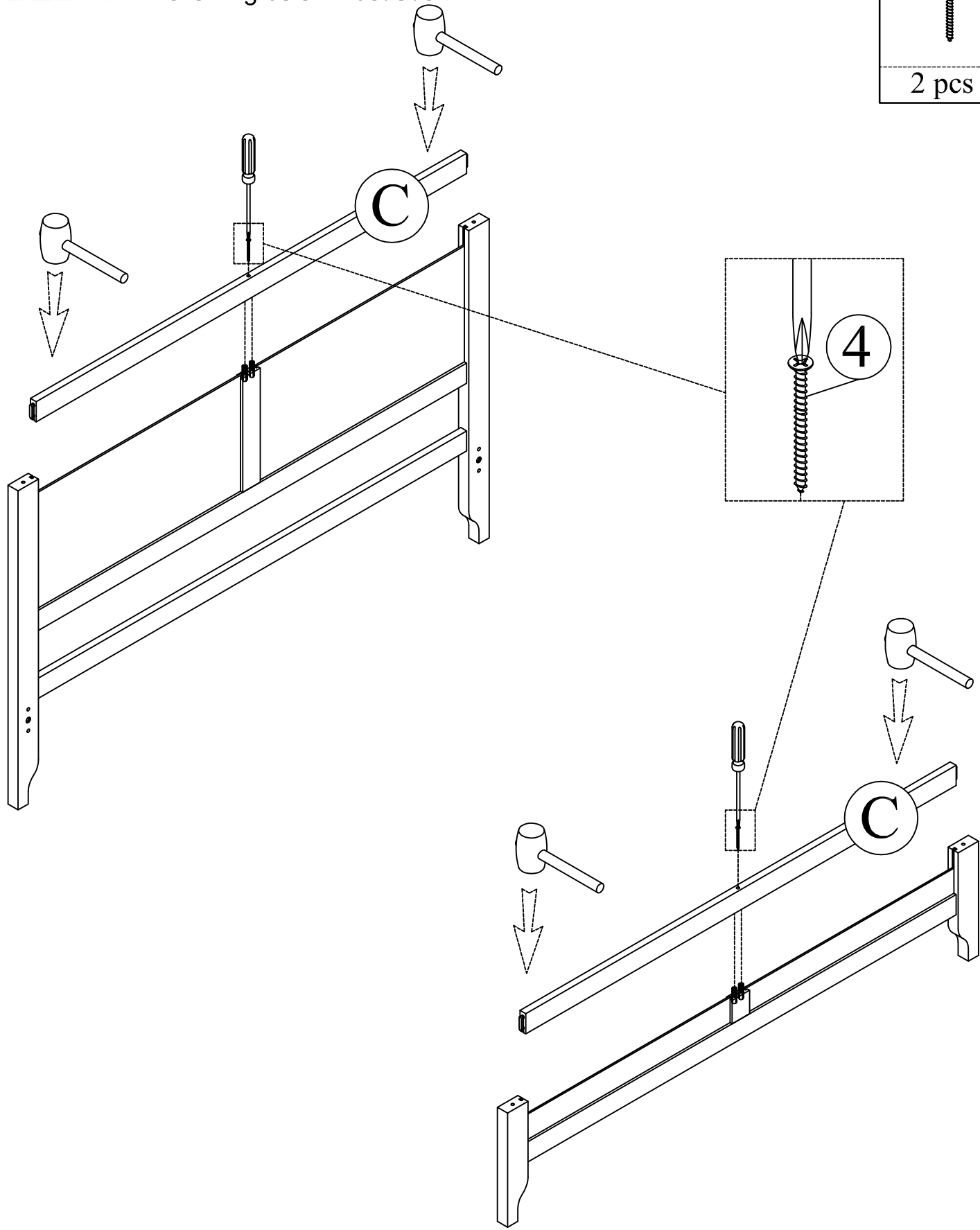


4 pcs



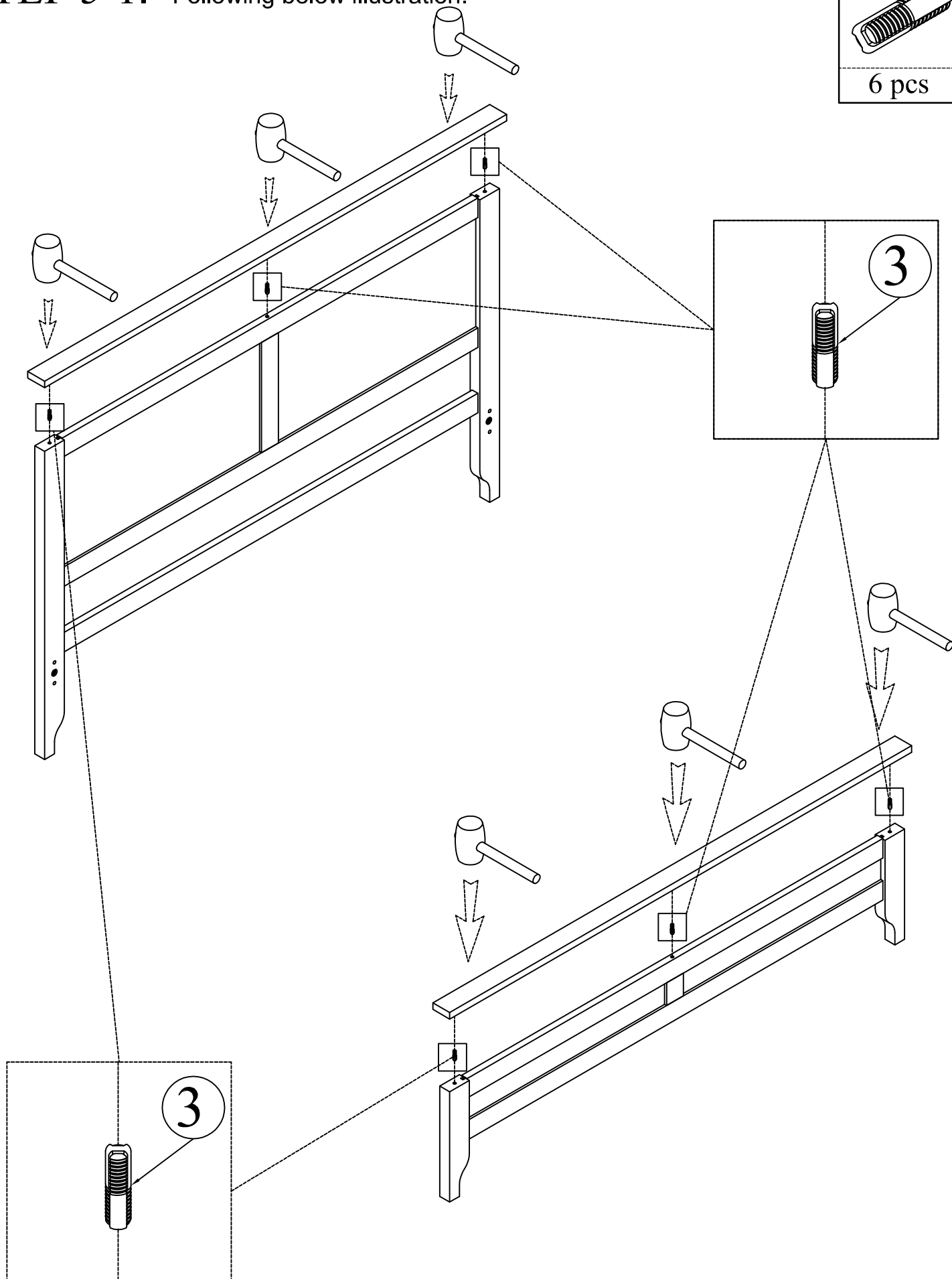
STEP 4: Following below illustration:

4
2 pcs





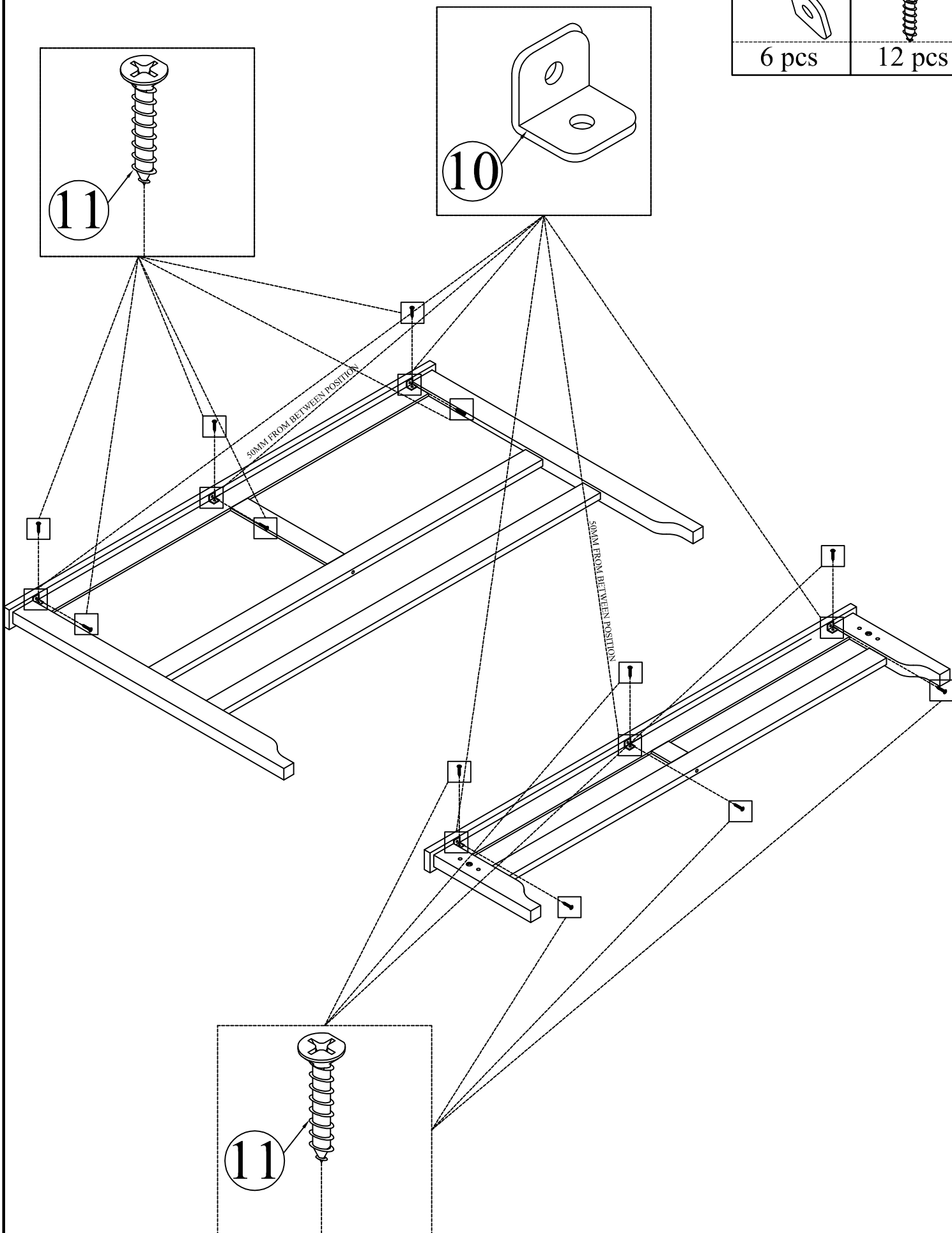
STEP 5-1: Following below illustration:

3
6 pcs


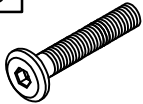


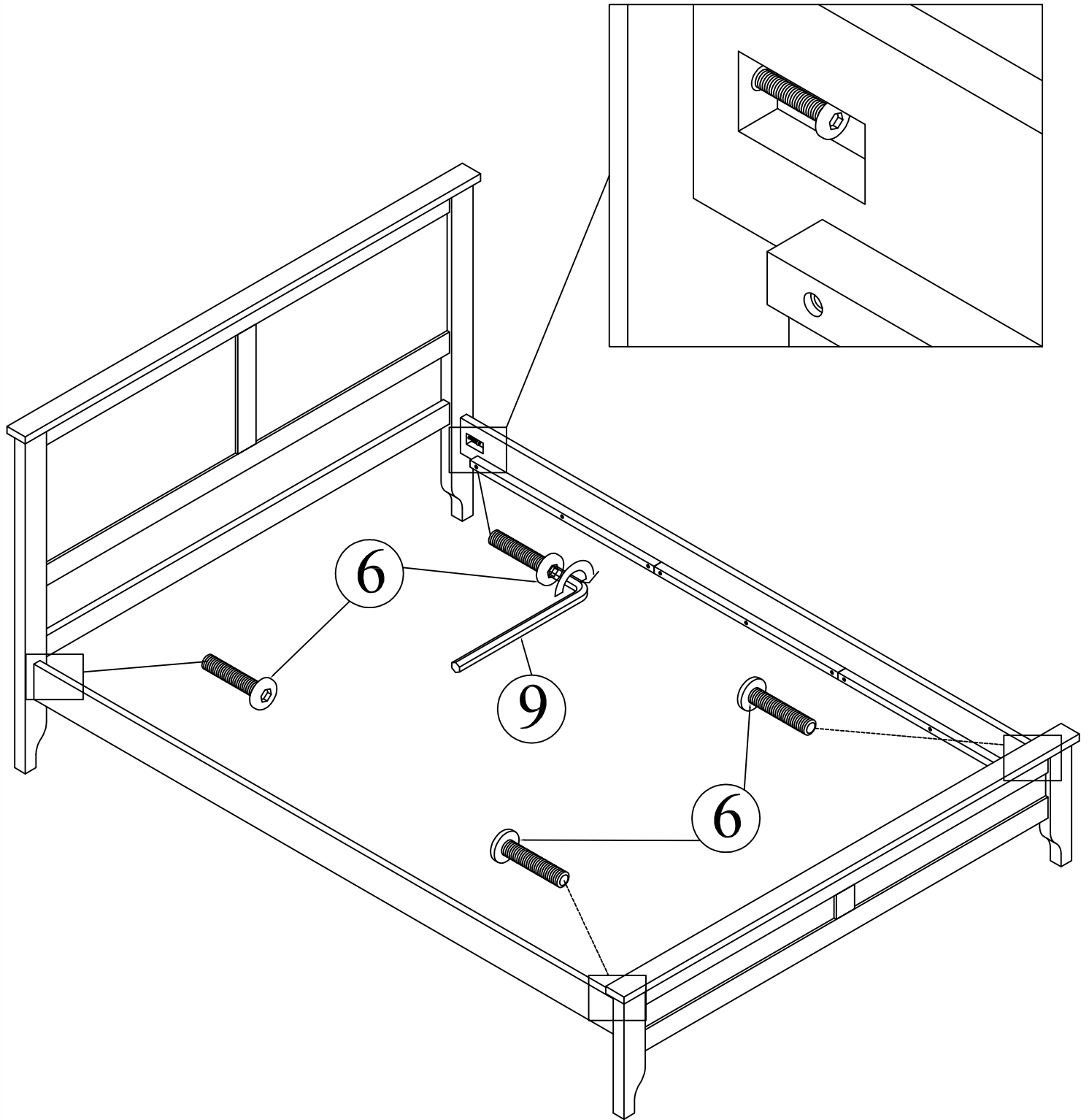
STEP 5-2: Following below illustration:

10		11	
6 pcs		12 pcs	



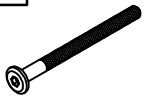
STEP 6: Following below illustration:

9	6
	
1 pcs	4 pcs

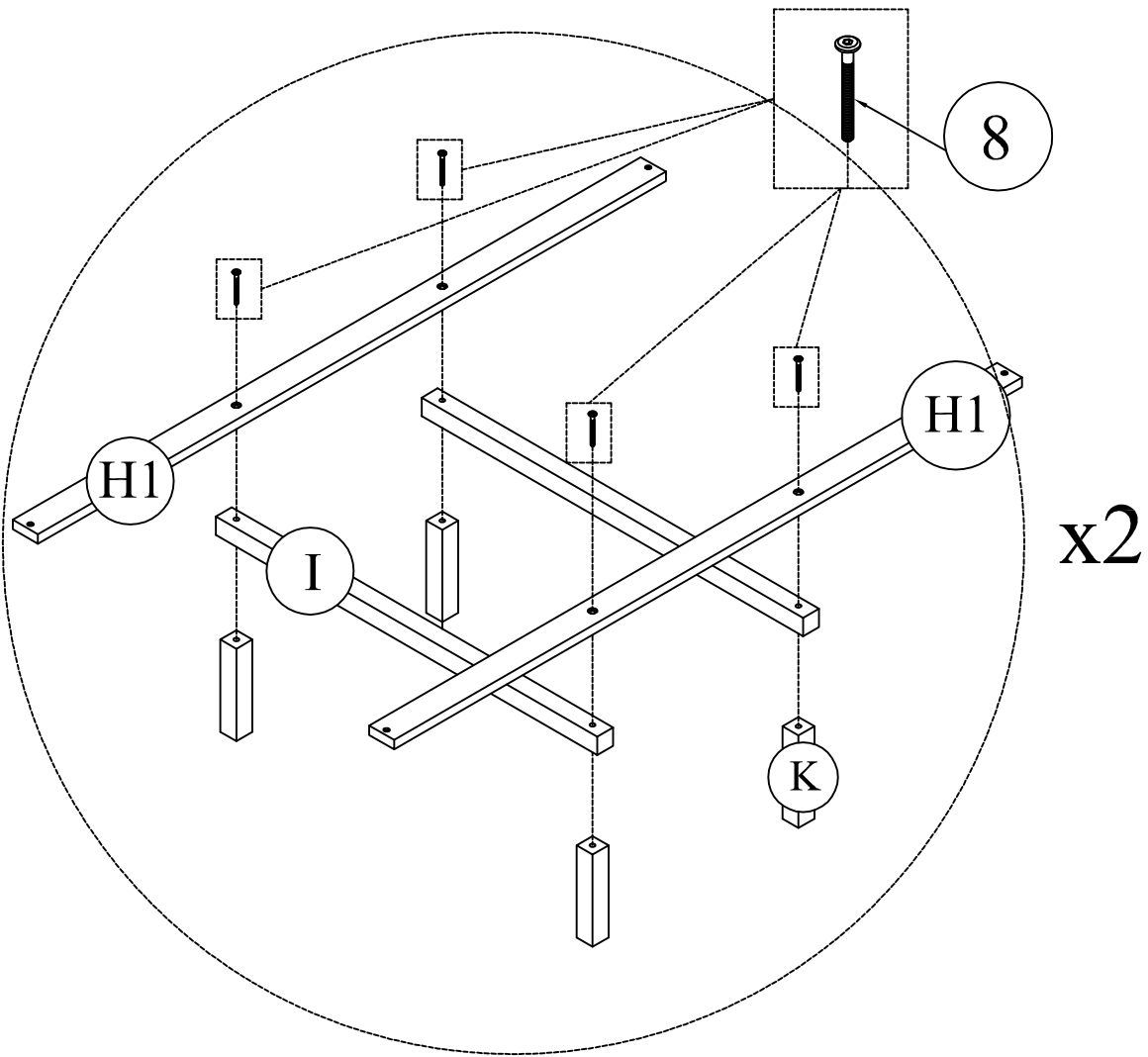


STEP 7: Following below illustration:

8

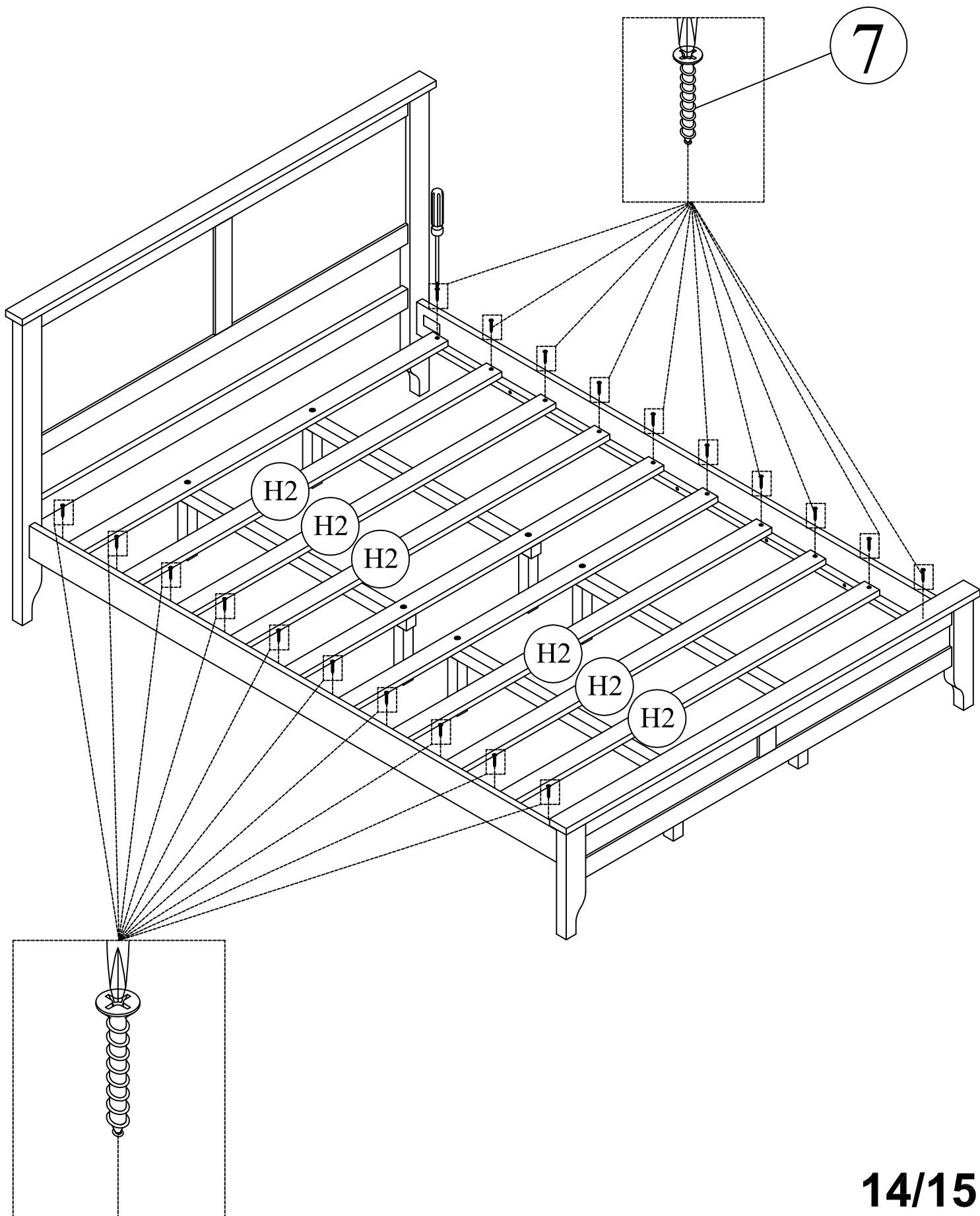


8 pcs



STEP 8: Following below illustration:

7
20 pcs



FINISH

