

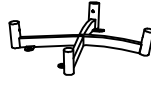







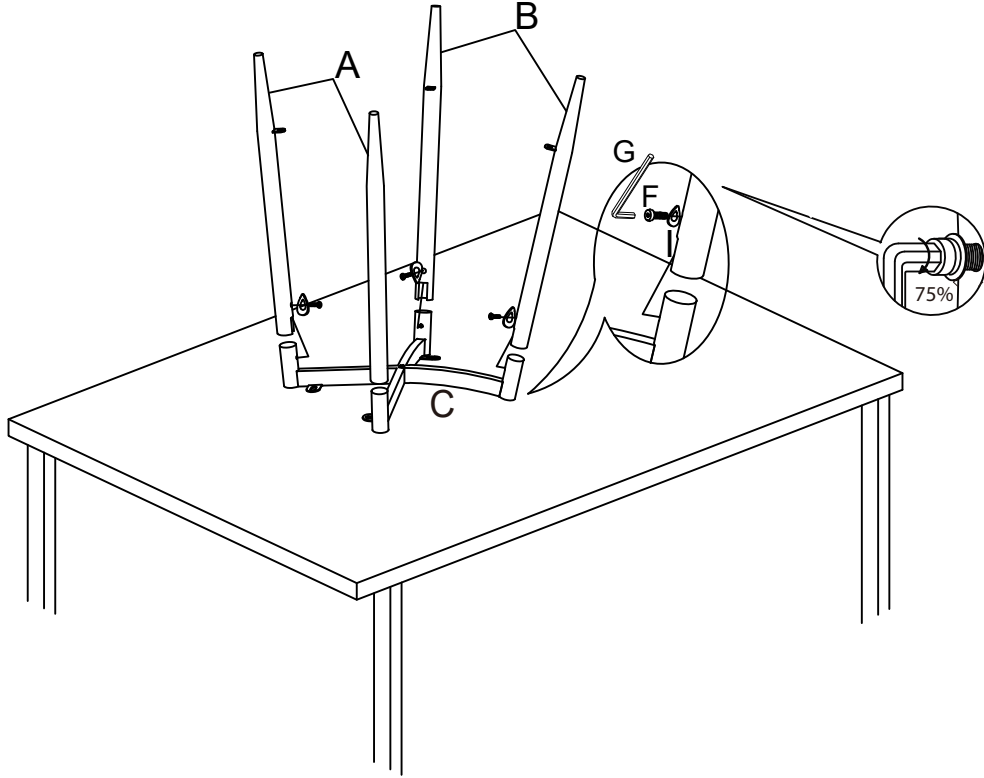
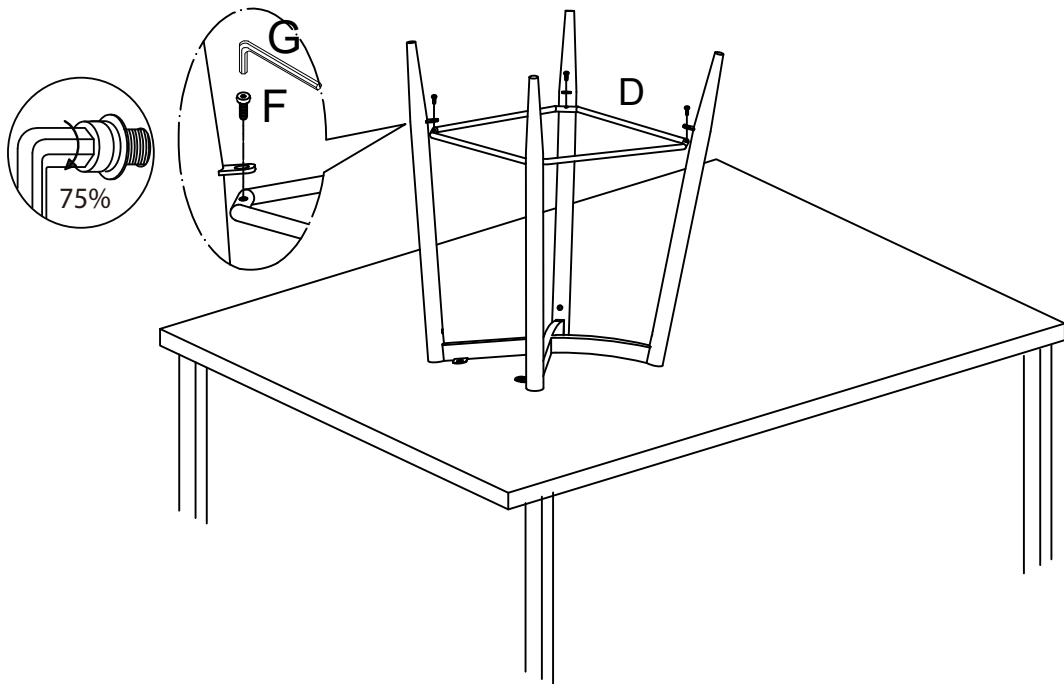


<b>A</b>  x2	<b>B</b>  x2	<b>C</b>  x1	<b>D</b>  x1	<b>E</b>  x1
<b>F</b>  M6x13 x8	<b>G</b>  x1	<b>H</b>  M6x16 x4	<b>I</b>  x4	<b>J</b>  x4

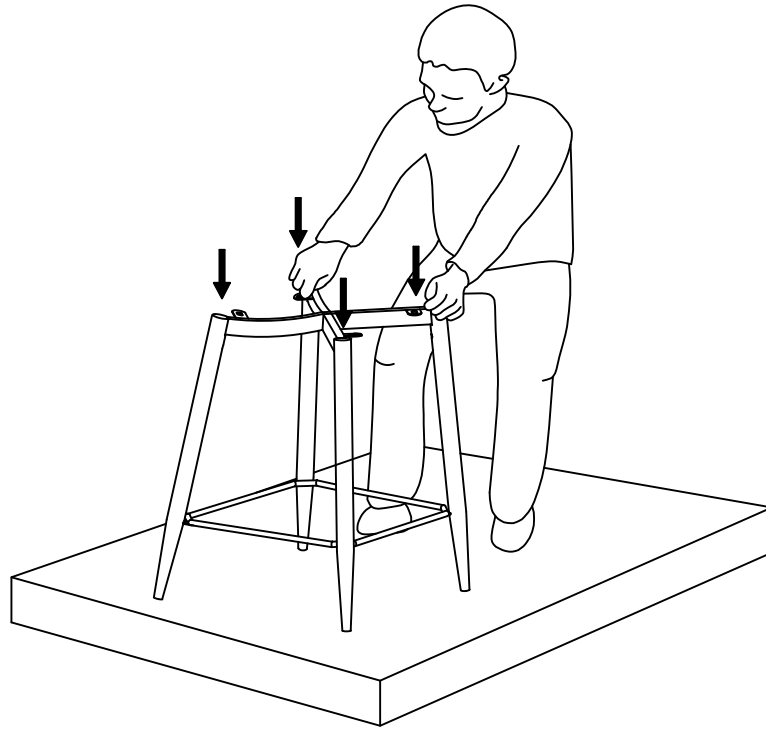
1



2

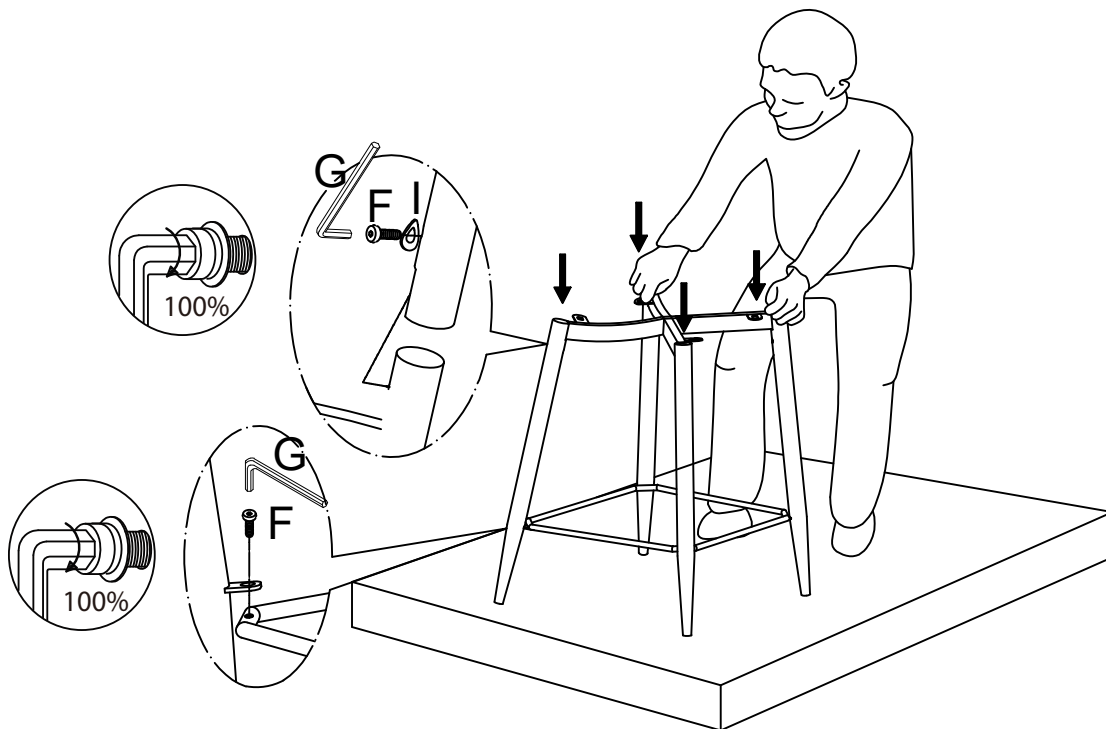


3



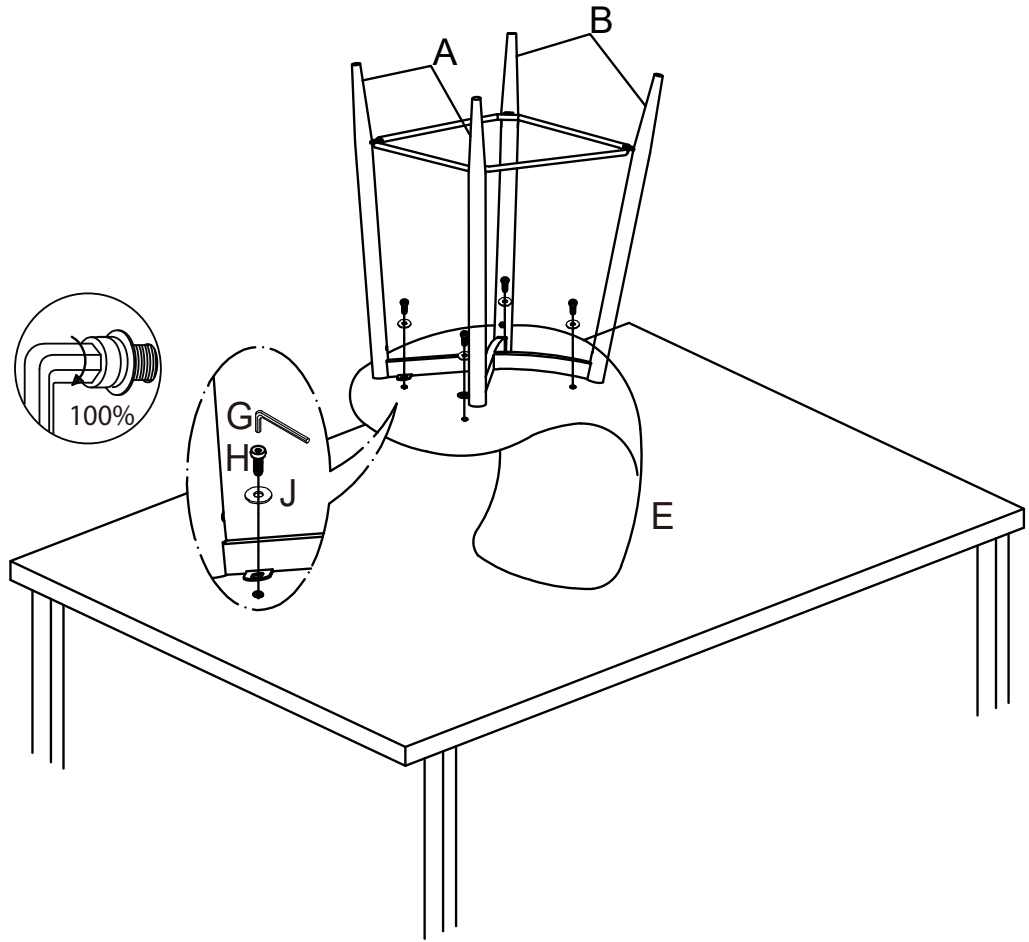
To level the chair, place the chair on a flat levelled surface.

4



With the help of another person, have the second person push the chair so that the four legs are straight, while fully tightening the screws.

5



6

