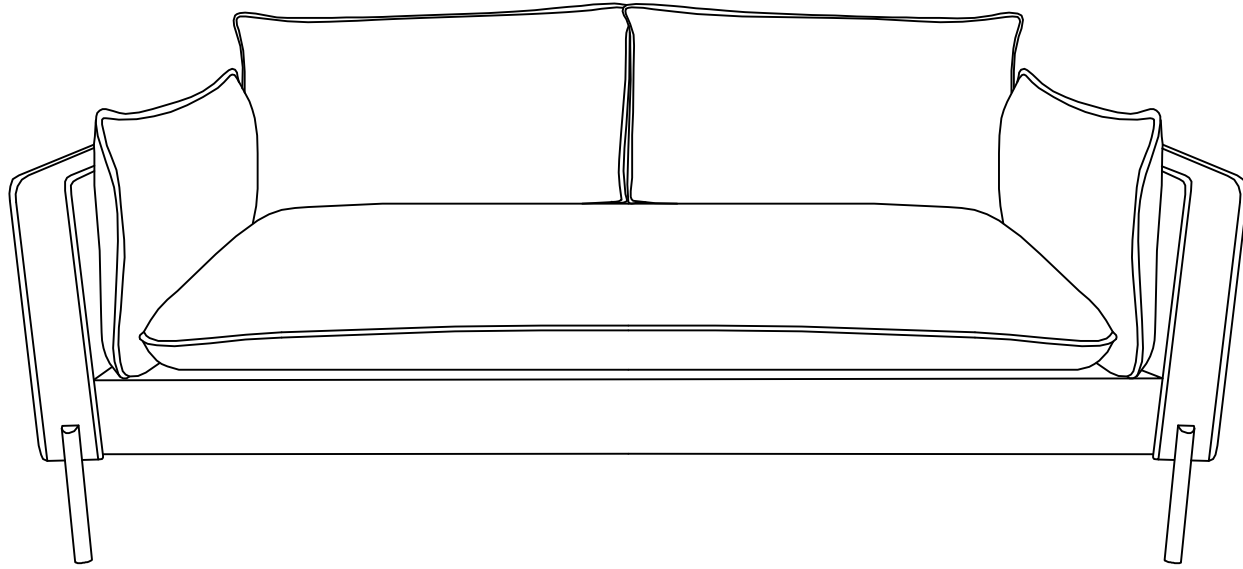
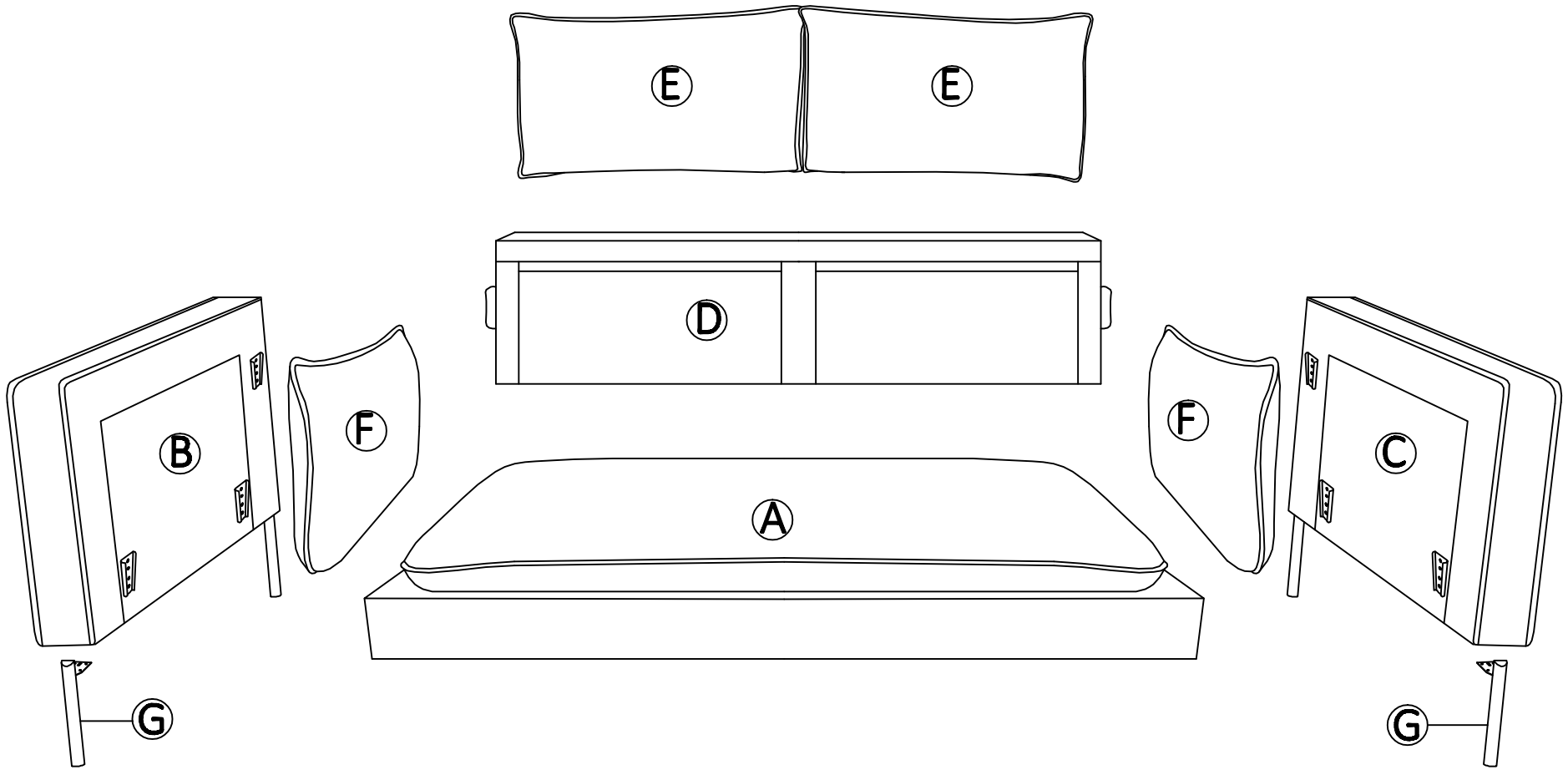


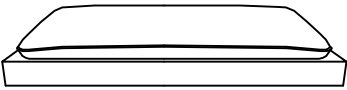
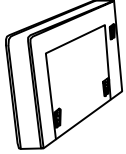

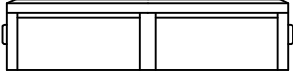


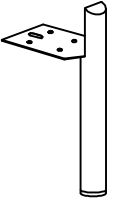
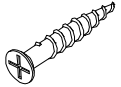


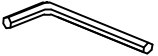
Assembly Instruction



PARTS

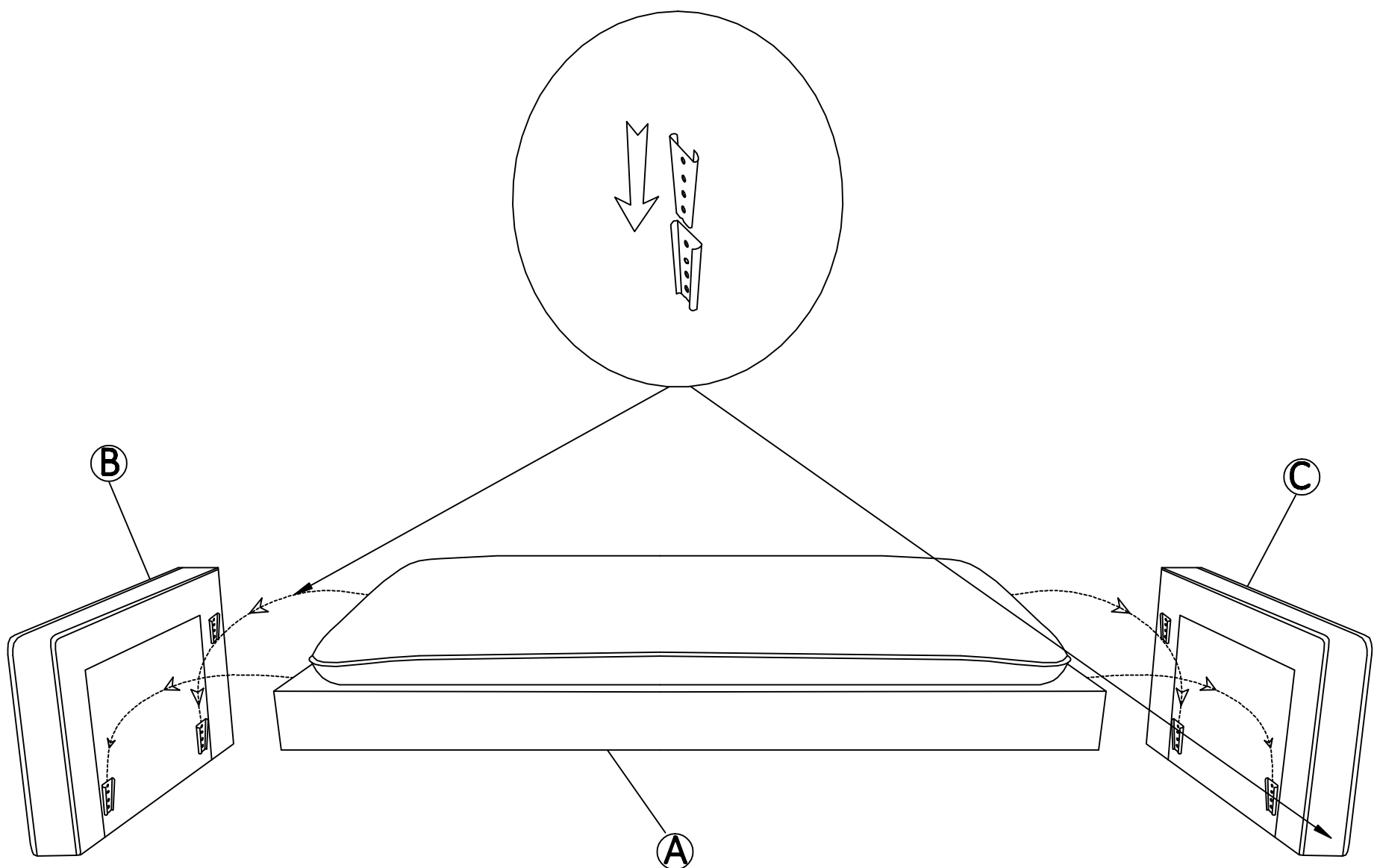


PART LIST

<p>Ⓐ</p>  <p>Seat x 1PC</p>	<p>Ⓑ</p>  <p>Armrest x 1PC</p>	<p>Ⓒ</p>  <p>Armrest x 1PC</p>	<p>Ⓓ</p>  <p>Back x 1PC</p>	<p>Ⓔ</p>  <p>Back Cushion x 2PCS</p>	
<p>Ⓕ</p>  <p>Armrest Cushion x 2PCS</p>	<p>Ⓖ</p>  <p>Leg x4 PCS</p>	<p>Ⓗ</p>  <p>5*25mm Screw x 16 PCS</p>	<p>Ⓘ</p>  <p>M8*20mm Bolt x 4 PCS</p>	<p>Ⓙ</p>  <p>Washer x 4 PCS</p>	<p>Ⓚ</p>  <p>M8 Allen key x 1 PC</p>

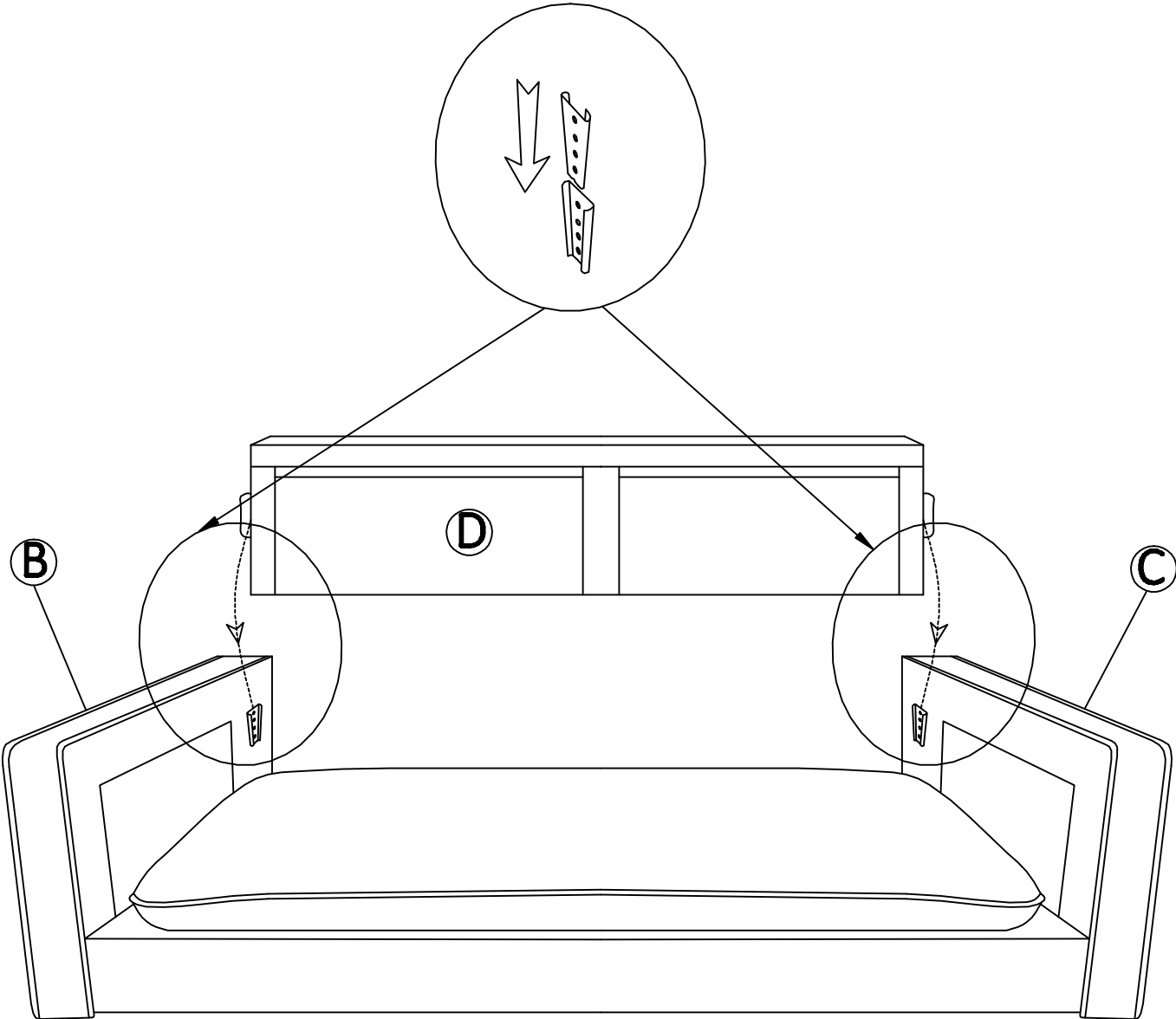
STEP 1: Place all parts on a clean, smooth surface. Attach A to B & C by inserting the brackets on A into the metal plate on B & C, as shown. Push A with a downward force to secure it into place.

Note: Both sides must be inserted at the same time. This step is best performed with 2 people.

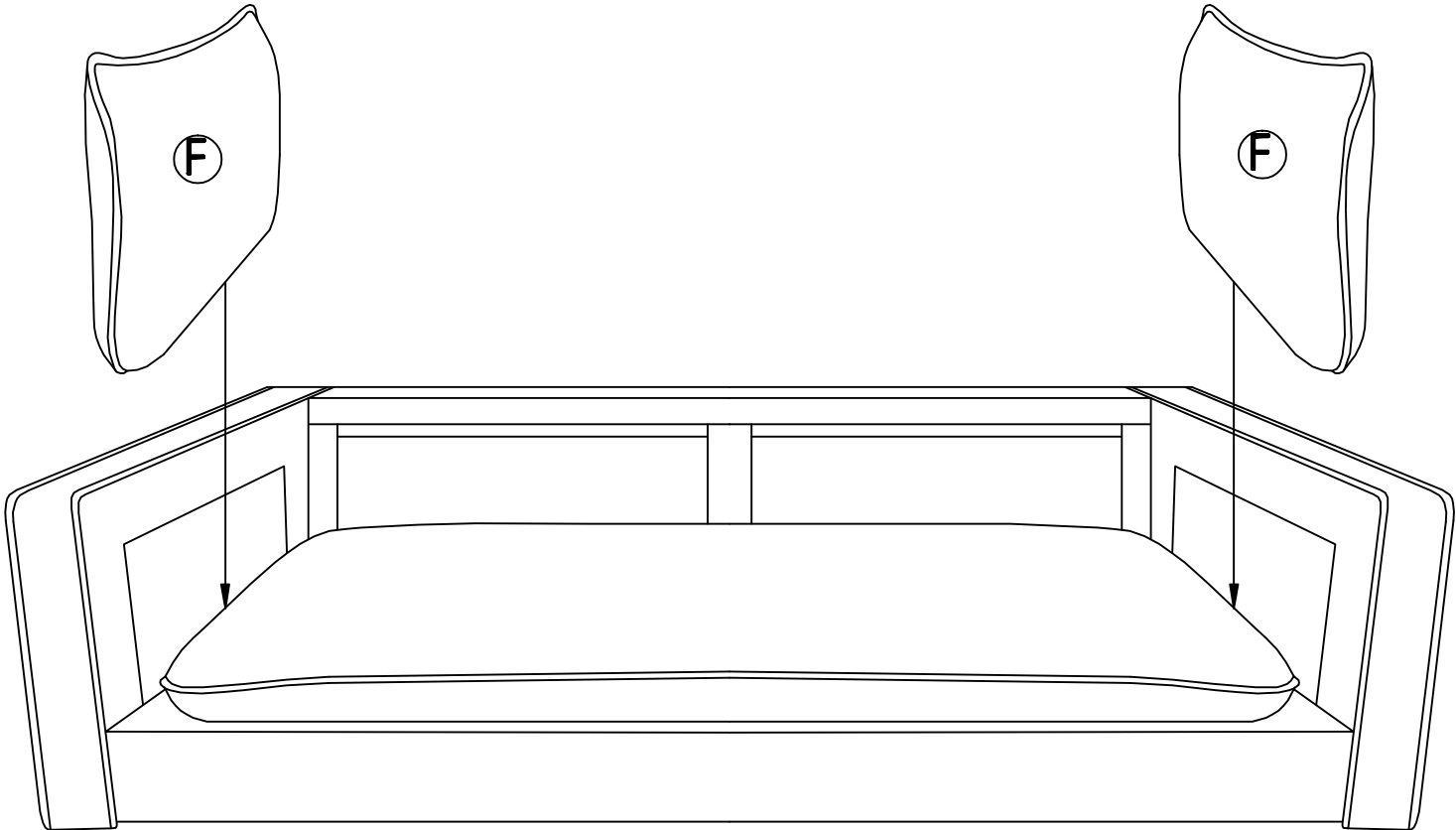


STEP 2: Attach D to B & C by inserting the brackets on D into the metal glides on B & C. Push D with a downward force to secure it into place, as shown.

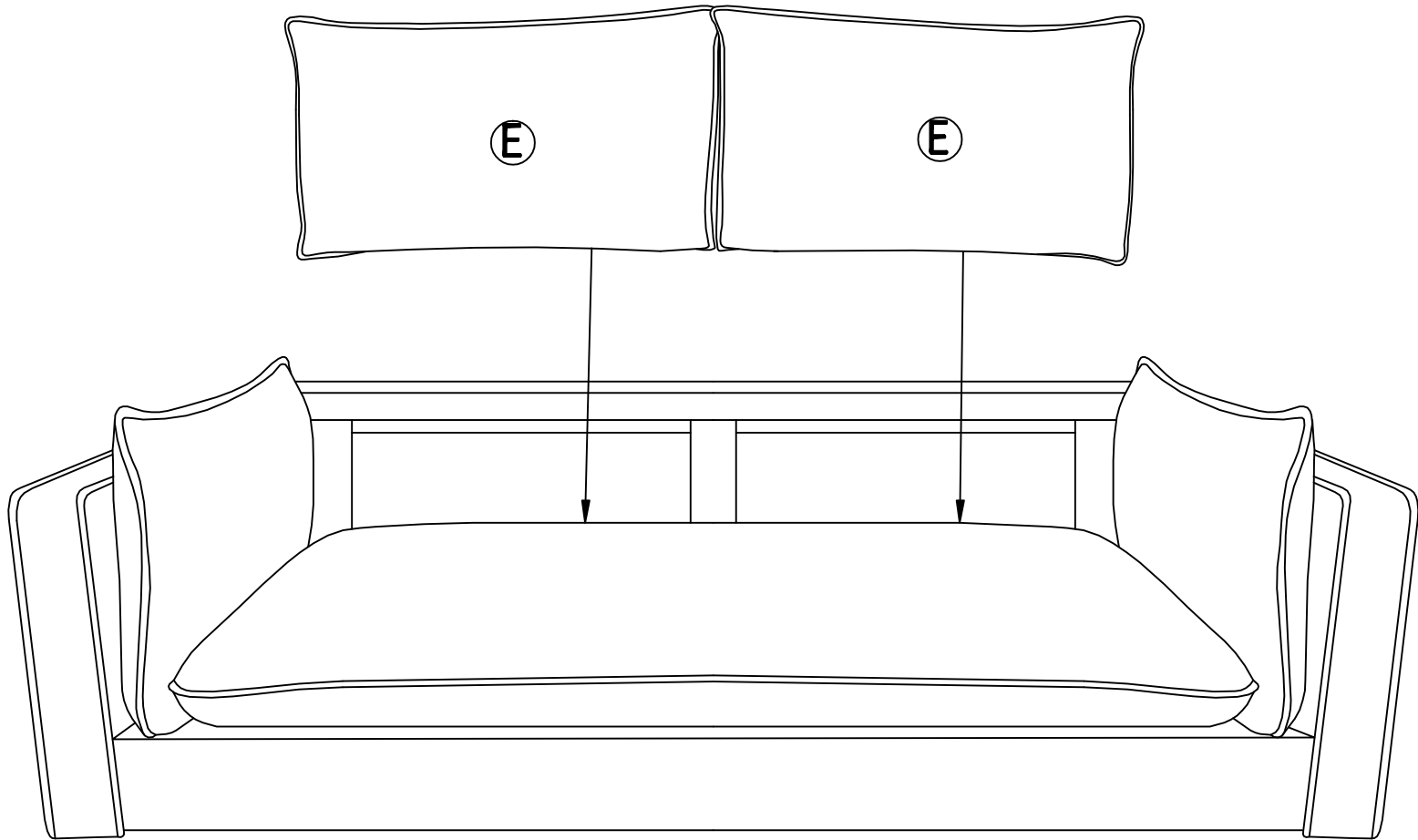
Note: Both sides must be inserted at the same time. This step is best performed with 2 people.



STEP 3:



STEP 4:



STEP 5:

