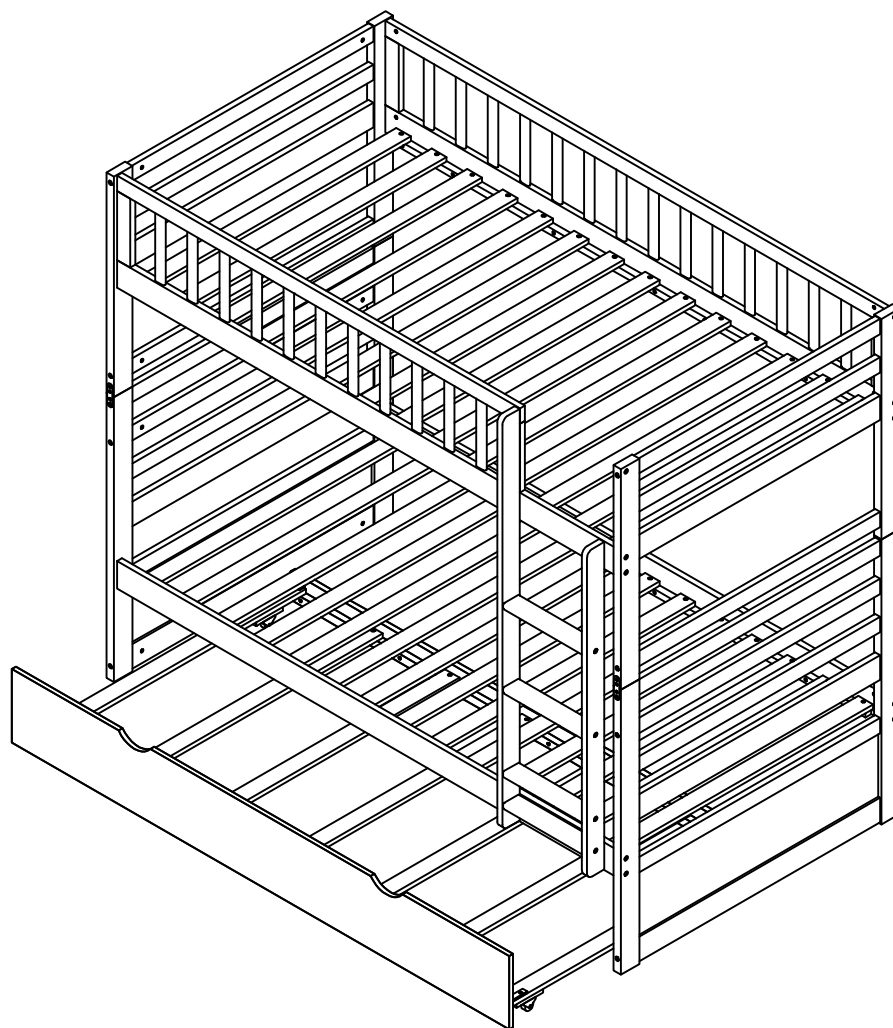


ASSEMBLY INSTRUCTIONS

BUNK BED



WF287132 / WF287133



SAFETY WARNING



1. This bed is designed for use only mattress (es) meeting the following specifications on the upper bunk, and lower bunk:

Down bed

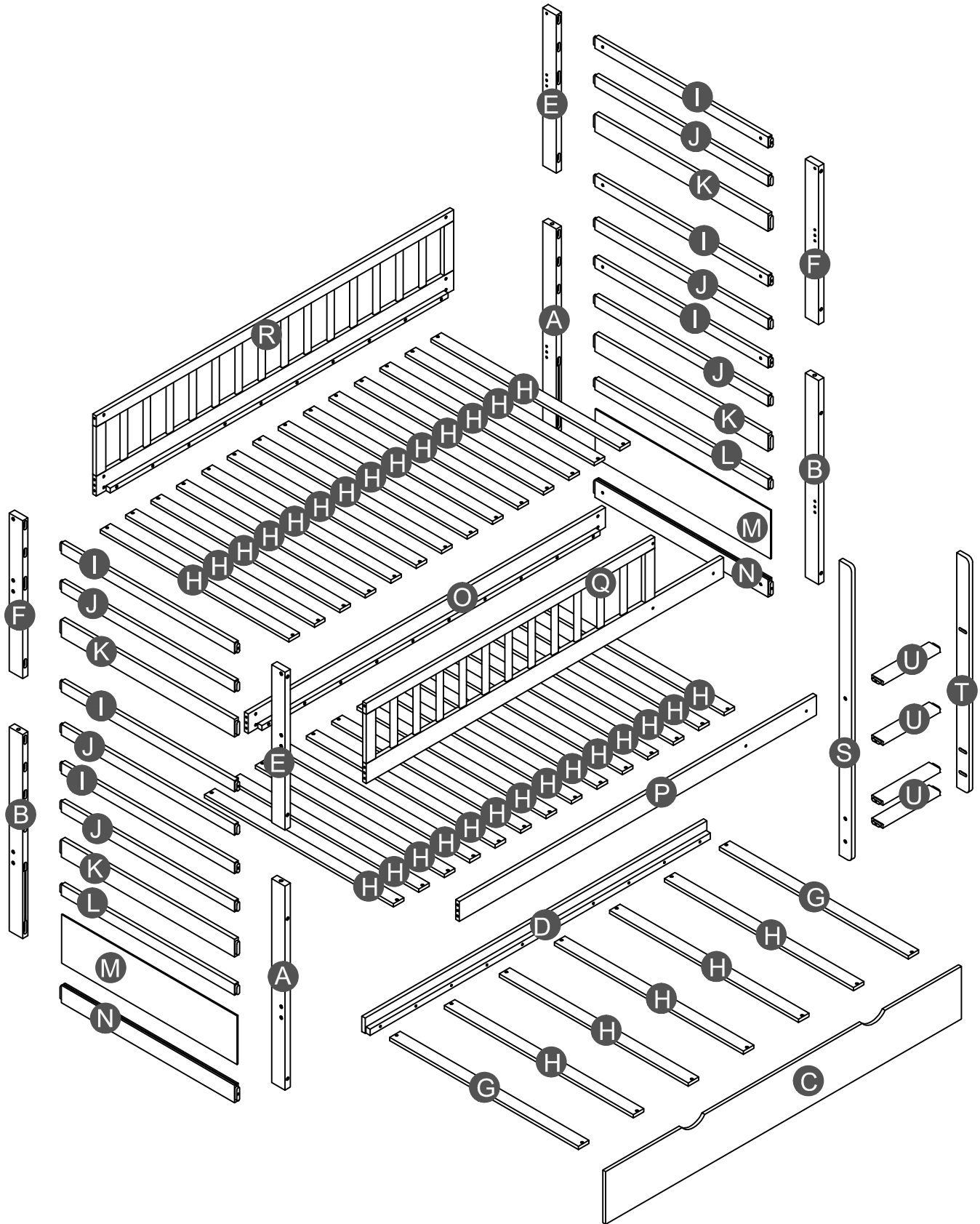
Bed type	Length	With	Thickness
Twin Standard	74"-75"	38 1/2"	8" max

Up bed (Bunk bed and tribed included)

Bed type	Length	With	Thickness
Twin Standard	74"-75"	38 1/2"	6" max

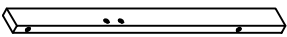

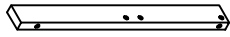
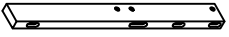
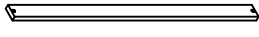
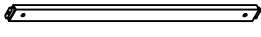
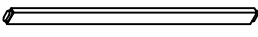
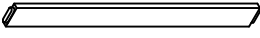

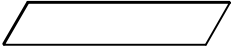

2. Replacement parts, including additional guardrails, maybe obtained from any of our (GIGACLOUD TECHNOLOGY (USA) INC.) dealers
3. Follow the information on the warnings appearing on the upper bunk bed end structure and on the carton. Do not remove warning label from bed.
4. Always use the recommended size mattresses or mattress supports, or both, to help prevent the likelihood of entrapment or falls.
5. Surface of mattress must be at least 5" (127mm) below the upper edge of guardrails.
6. Do not allow children under 6 years of age to use the upper bunk.
7. Periodically check and ensure that the guardrail, ladder, and other components are in their proper position, free from damage, and that all connectors are tight.
8. Do not allow horseplay on or under the bed and prohibit jumping on the bed.
9. Always use the ladder for entering and leaving the upper bunk.
10. Do not use substitute part. Contact the manufacture or dealer for replacement part.
11. Use of a night light may provide added safety precaution for a child using the upper bunk.
12. Always use guardrails on both long sides of the upper bunk. If the bunk bed will be placed next to the wall, the guardrail that runs the full length of the bed should be placed against the wall to prevent entrapment between the bed and wall.
13. The use of water or sleep flotation mattresses is prohibited.
14. STRANGULATION HAZARD - Never attach or hang items to any part of the bunk bed that are not designed for use with the bed; for example, but not limited to, hook, belts and jump ropes.
15. Keep these instruction for future reference.

Detail View



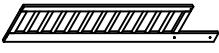

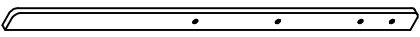
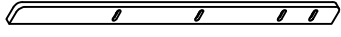
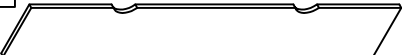

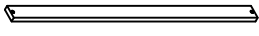
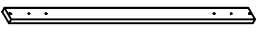
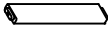


Part List



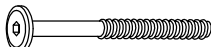


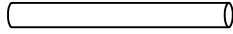

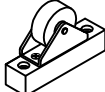

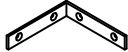

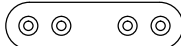
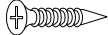

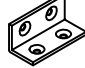
Hardware List WF287132

A  Lower leg Left Front / Right Back-2pcs	B  Lower leg Left Back / Right Front-2pcs	E  Upper leg Left Front / Right Back-2pcs
F  Upper leg Left Back / Right Front-2pcs	H  Slats - 28pcs	I  Horizontal bar - 6pcs
J  Horizontal bar - 6pcs	K  Horizontal bar - 4pcs	L  Horizontal bar - 2pcs
M  Side panel - 2pcs	N  Horizontal bar - 2pcs	

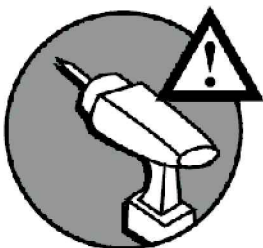
WFWF287133

O  Lower back side rail - 1pc	P  Lower front side rail - 1pc	Q  Upper front side rail - 1pc
R  Upper back side rail - 1pc	S  Ladder left side rail - 1pc	T  Ladder right side rail - 1pc
C  Trundle front panel - 1pc	D  Trundle back panel - 1pc	H  Trundle Slats - 5pcs
G  Trundle Slats - 2pcs	U  Ladder step - 4pcs	

Hardware List

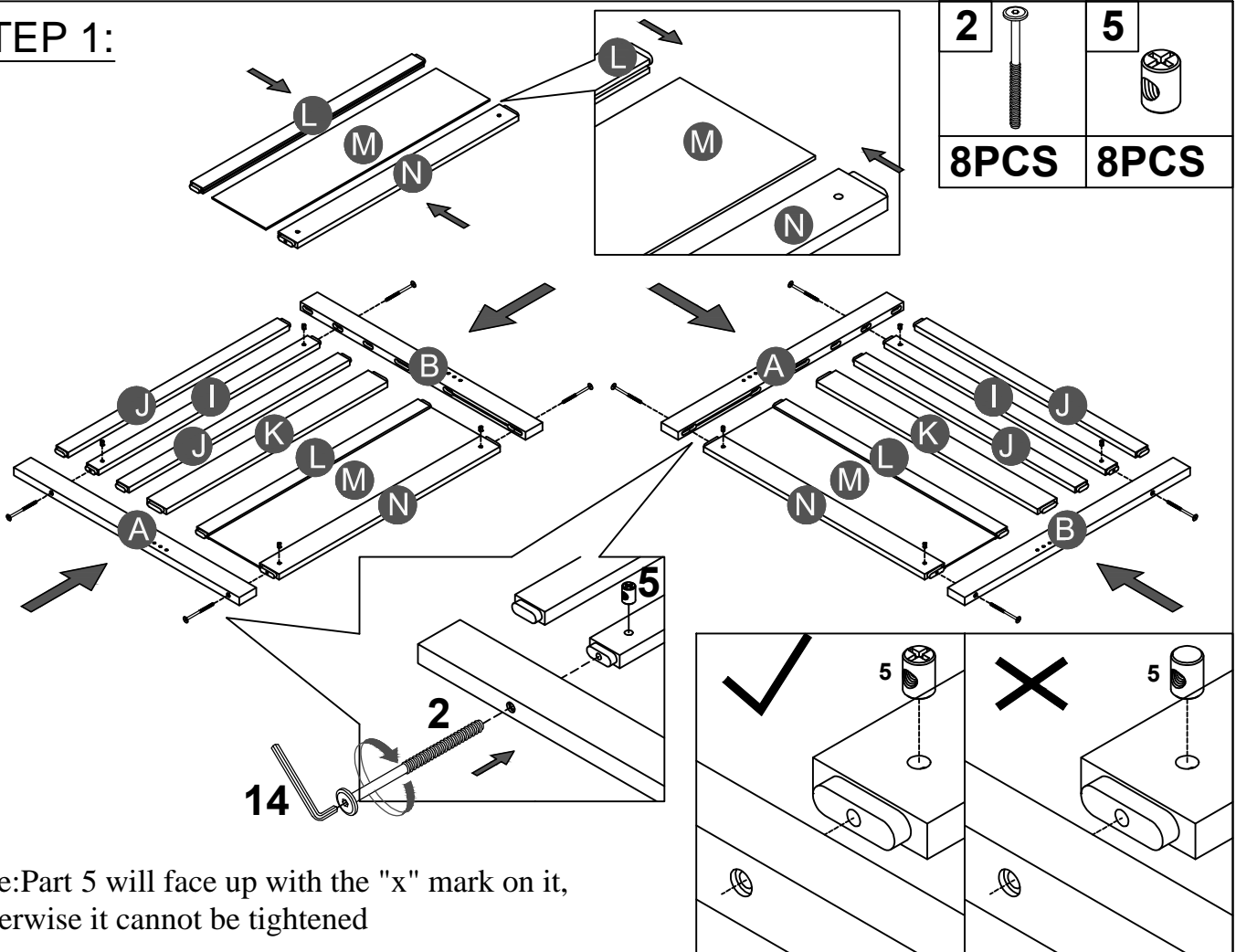
1	 Ø8*30mm Wood dowel (8pcs)	2	 (Ø15)1/4"*110mm Hex-Head bolts (16pcs)	3	 (Ø15)1/4"*80mm Hex-Head bolts (19pcs)
4	 (Ø12)1/4"*45mm Hex-Head bolts (5pcs)	5	 1/4"*15 (9.5mm) Horizontal-Hole bolts(35pcs)	6	 Ø9*90mm Connecting bar (4pcs)
7	 (Ø12)1/4"*50mm Hex-Head bolts (8pcs)	8	 100*20*63 mm Wheels (4pcs)	9	 Ø4*30mm Wood screws (78pcs)
10	 95*95*18*3mm Metal bracket (2pcs)	11	 Ø3.5*15mm Wood screws (16pcs)	12	 75*20*2mm Metal plate (4pcs)
13	 Ø4*19mm Wood screws (16pcs)	14	 (1/4")4.5*58mm Allen key (1pc)	15	 40*18*18*2mm Metal bracket (2pcs)

ASSEMBLY TOOLS REQUIRED (NOT INCLUDED)

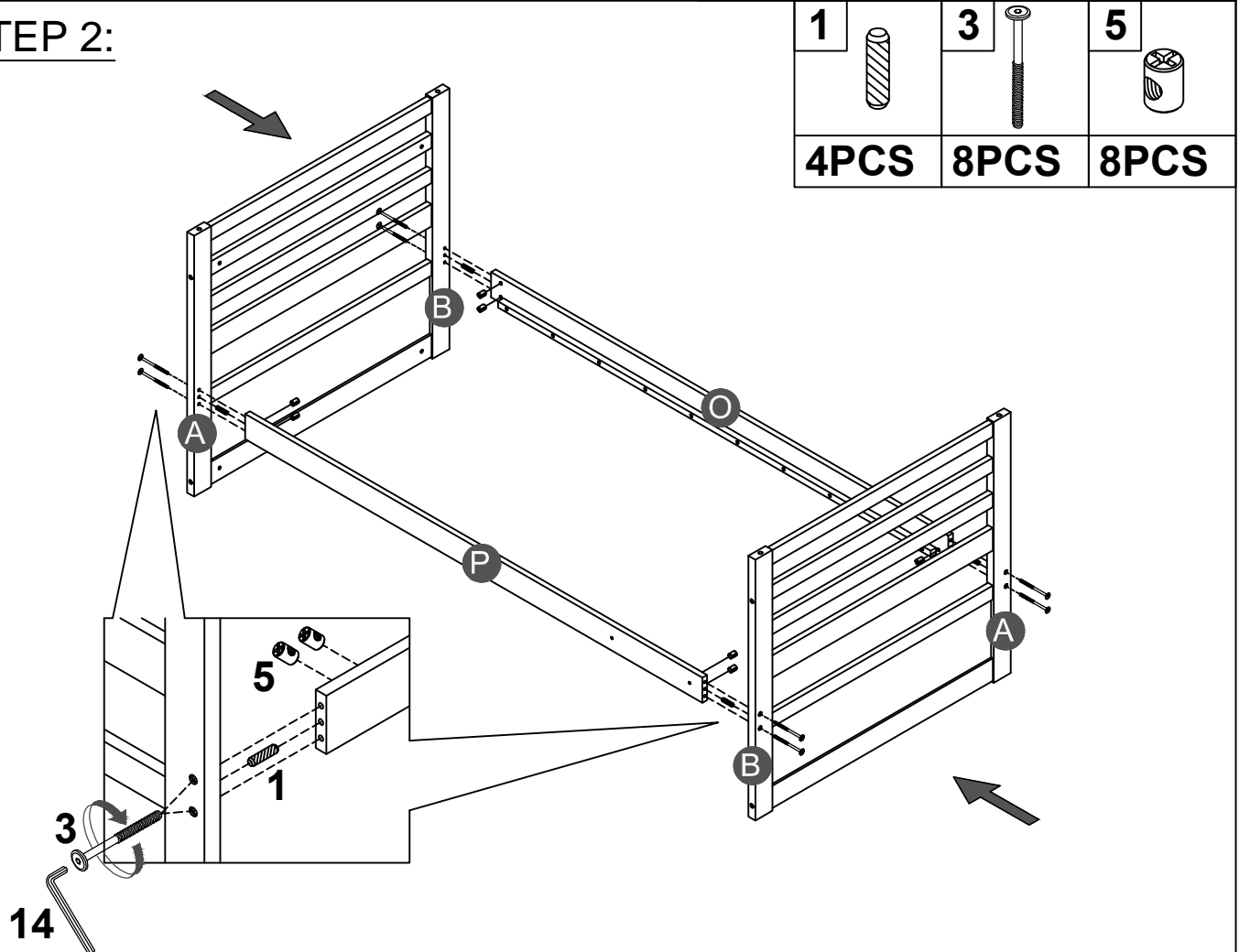


DO NOT USE POWER TOOLS TO ASSEMBLE THIS PRODUCT !

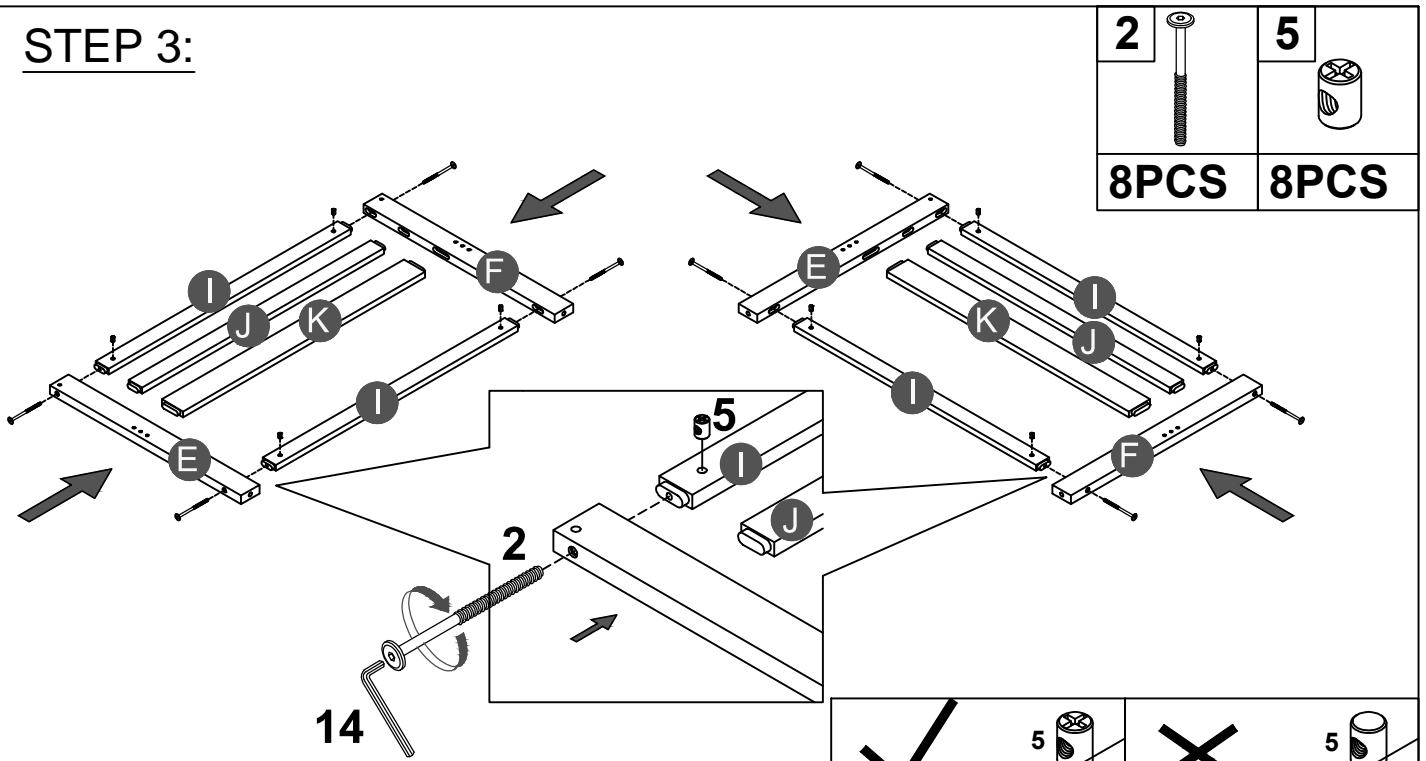
STEP 1:



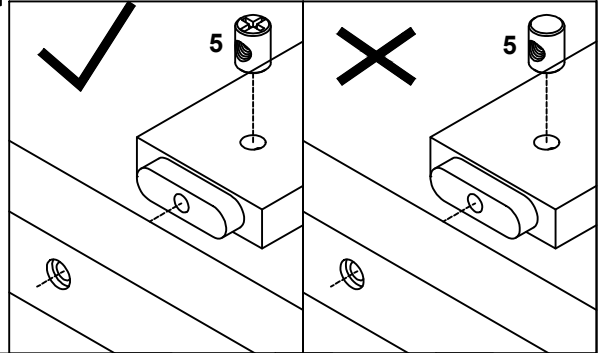
STEP 2:



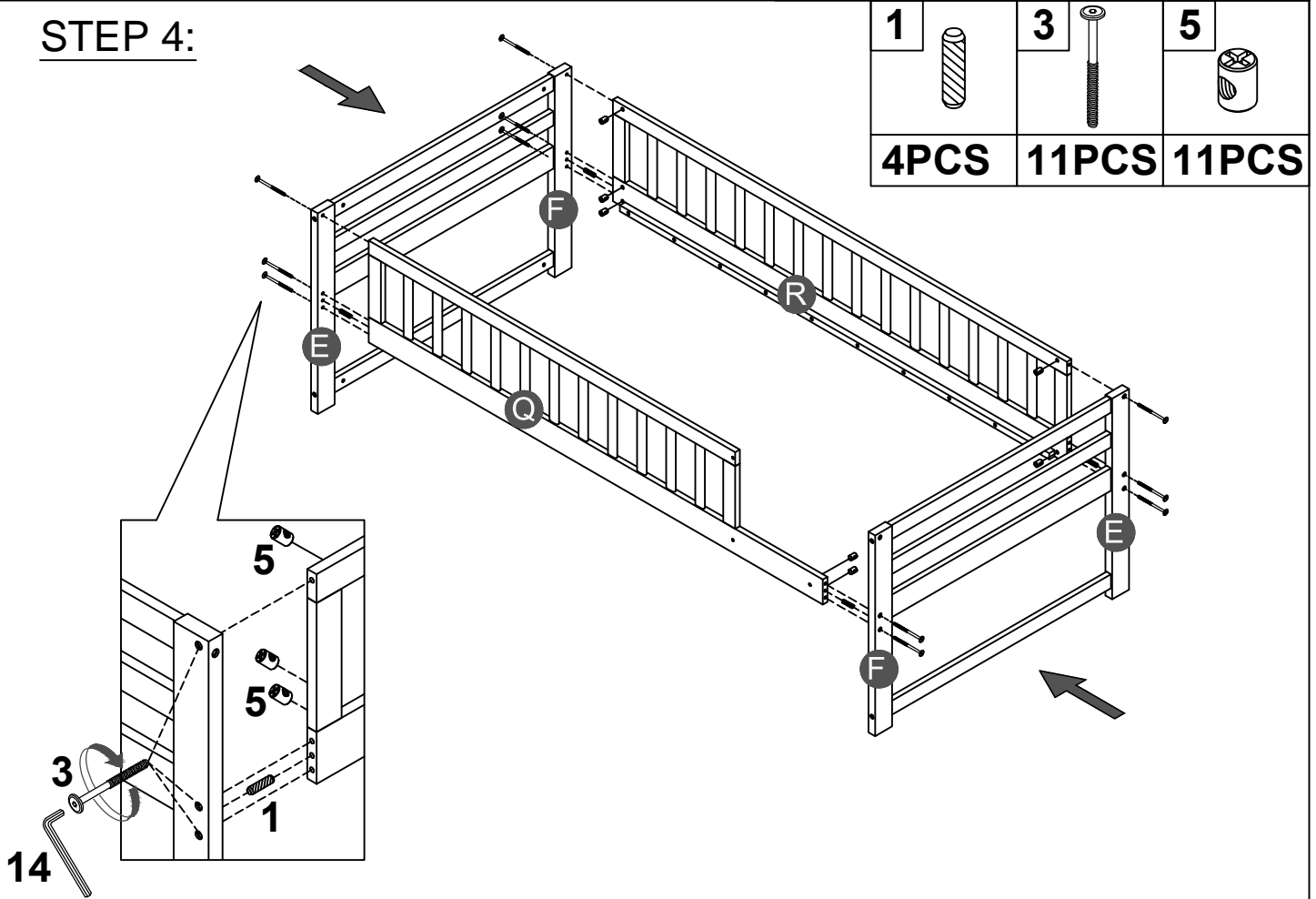
STEP 3:



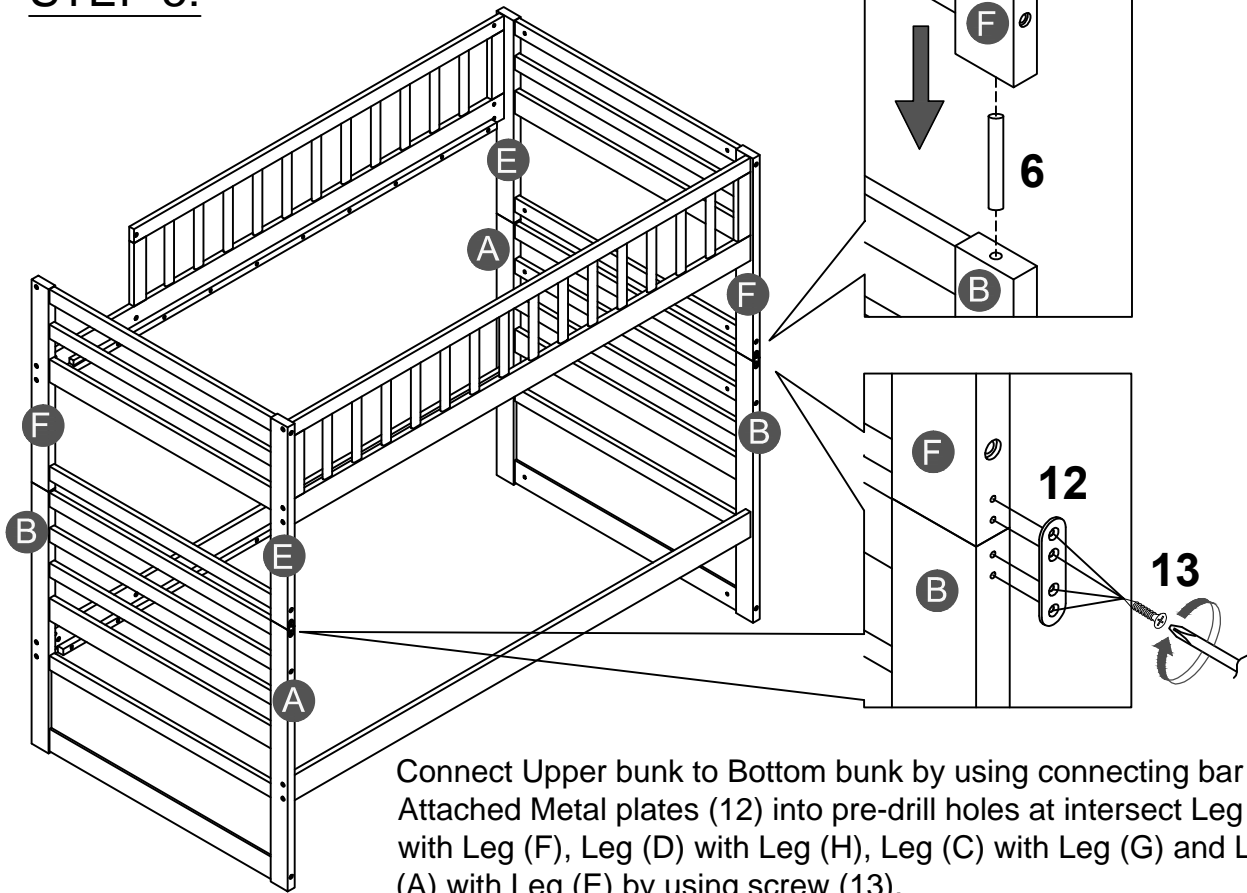
Note: Part 5 will face up with the "x" mark on it, otherwise it cannot be tightened



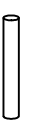
STEP 4:



STEP 5:



6



4PCS

12



4PCS

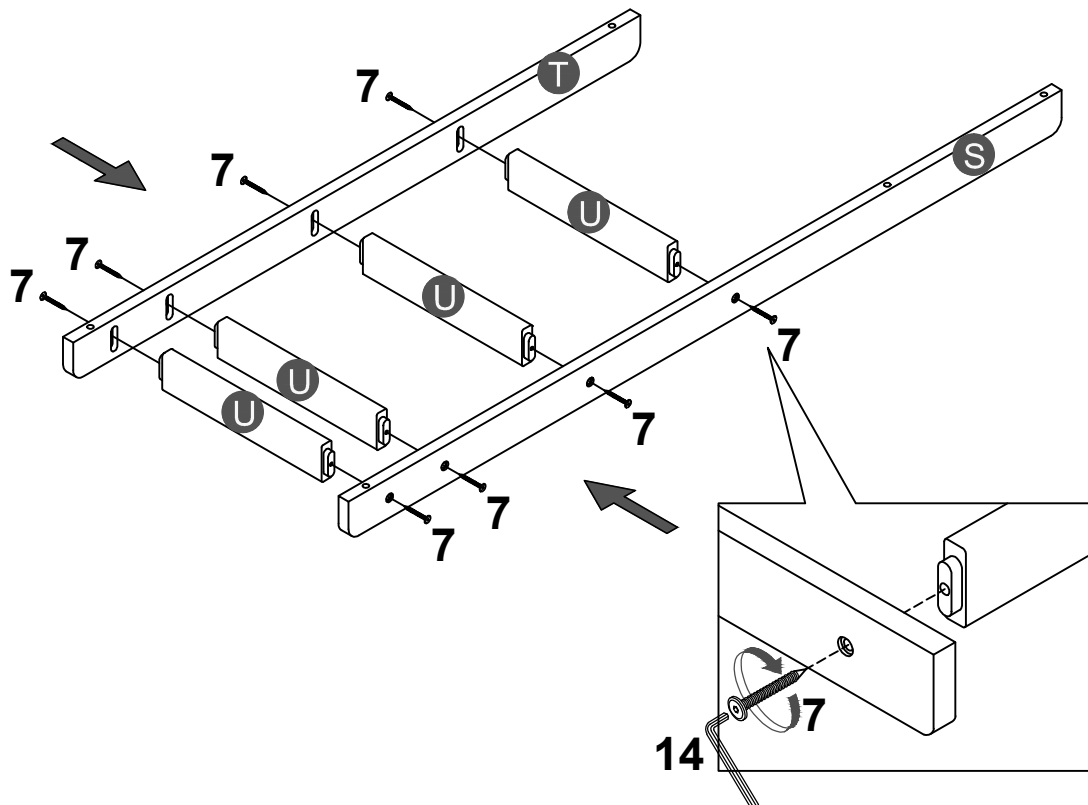
13



16PCS

Connect Upper bunk to Bottom bunk by using connecting bar (6). Attached Metal plates (12) into pre-drill holes at intersect Leg (B) with Leg (F), Leg (D) with Leg (H), Leg (C) with Leg (G) and Leg (A) with Leg (E) by using screw (13). Tighten screw (13) with Phillip hed screwdriver.

STEP 6:

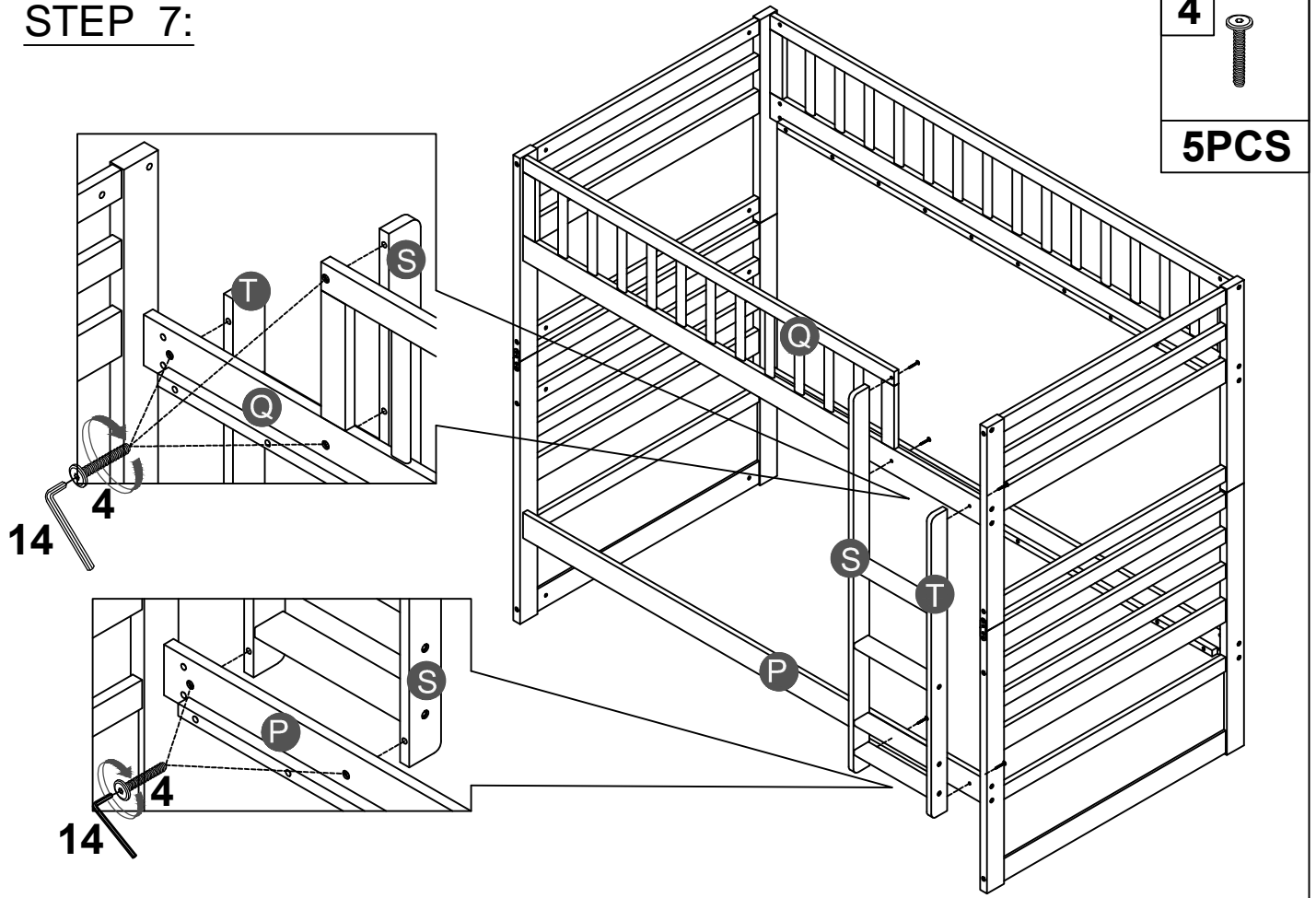


7

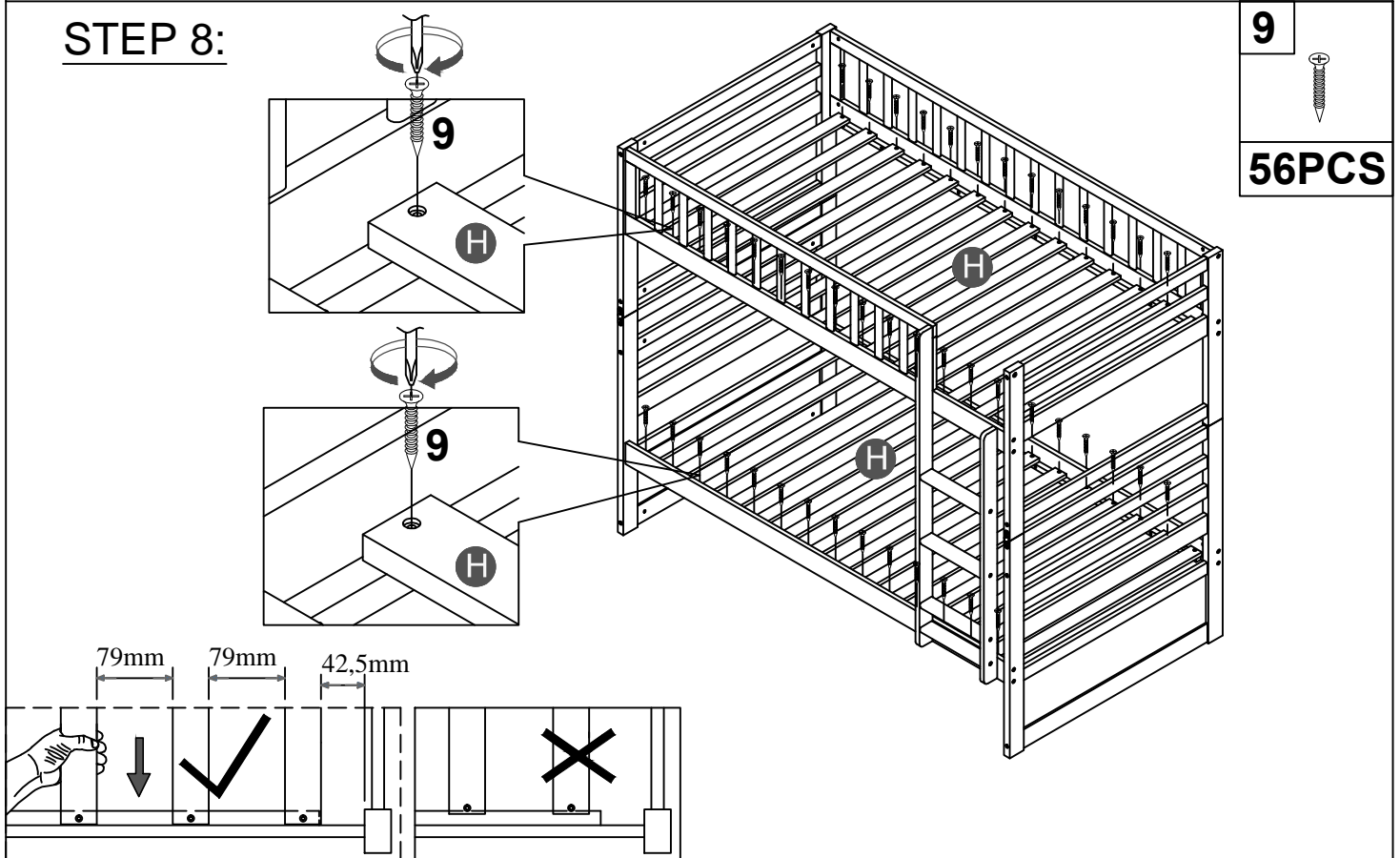


8PCS

STEP 7:



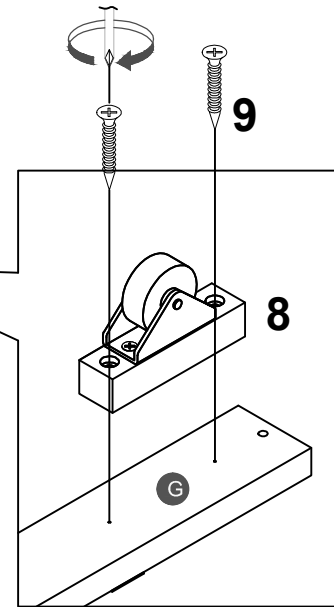
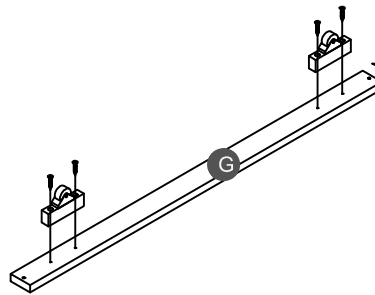
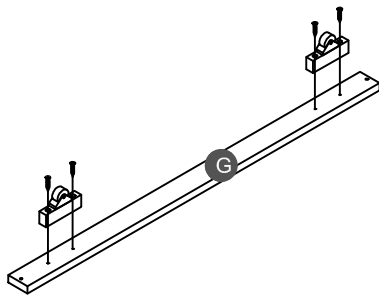
STEP 8:



Note: Do not lock the screws of the bed slats to the outermost edge of the bed slats, you need to leave a certain space at the edges, otherwise it will cause the board to break. Do not lock the bed slats on the edge of the wood, please hold firmly before screwing, hold it in place with one hand, then lock the screw.

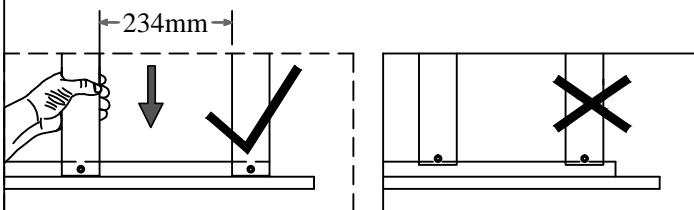
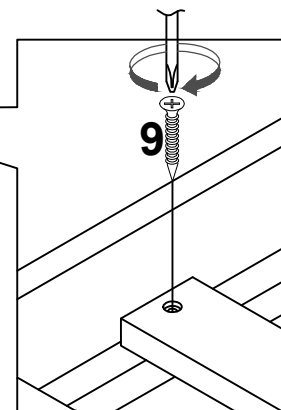
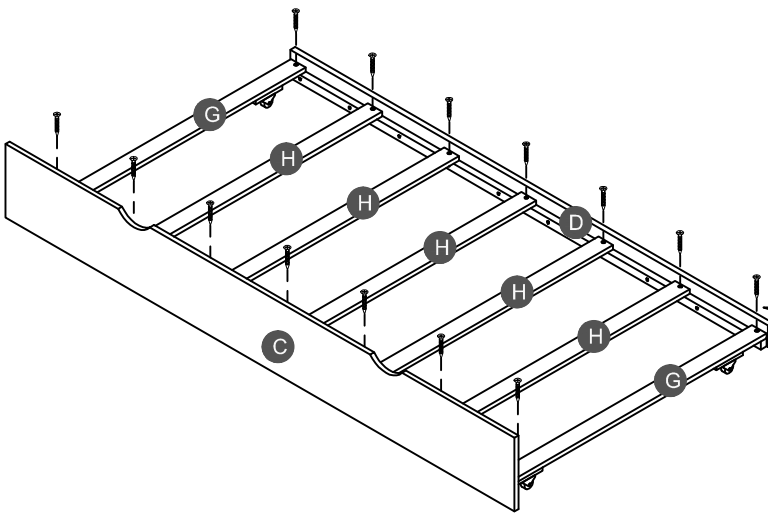
STEP 9:

8	9
4PCS	8PCS



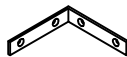

STEP 10:

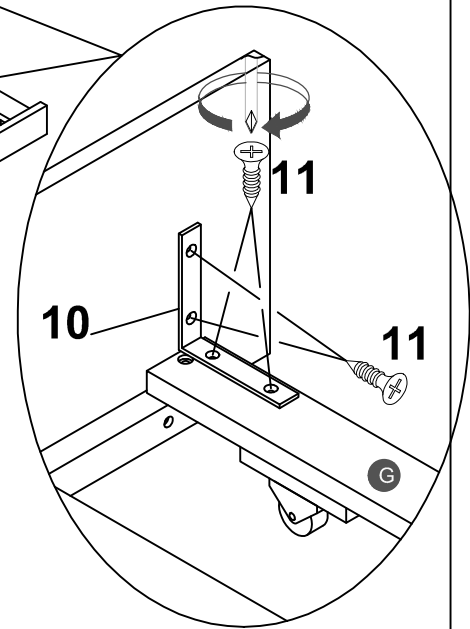
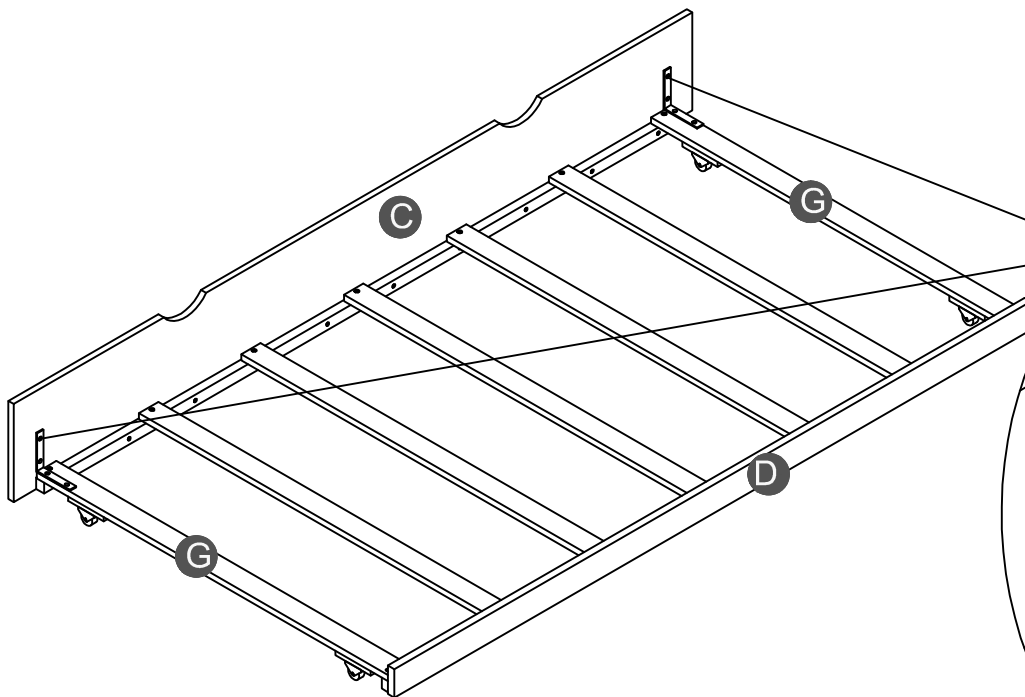
9
14PCS



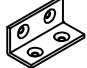
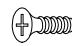
Note: Do not lock the screws of the bed slats to the outermost edge of the bed slats, you need to leave a certain space at the edges, otherwise it will cause the board to break.
Do not lock the bed slats on the edge of the wood, please hold firmly before screwing, hold it in place with one hand, then lock the screw.

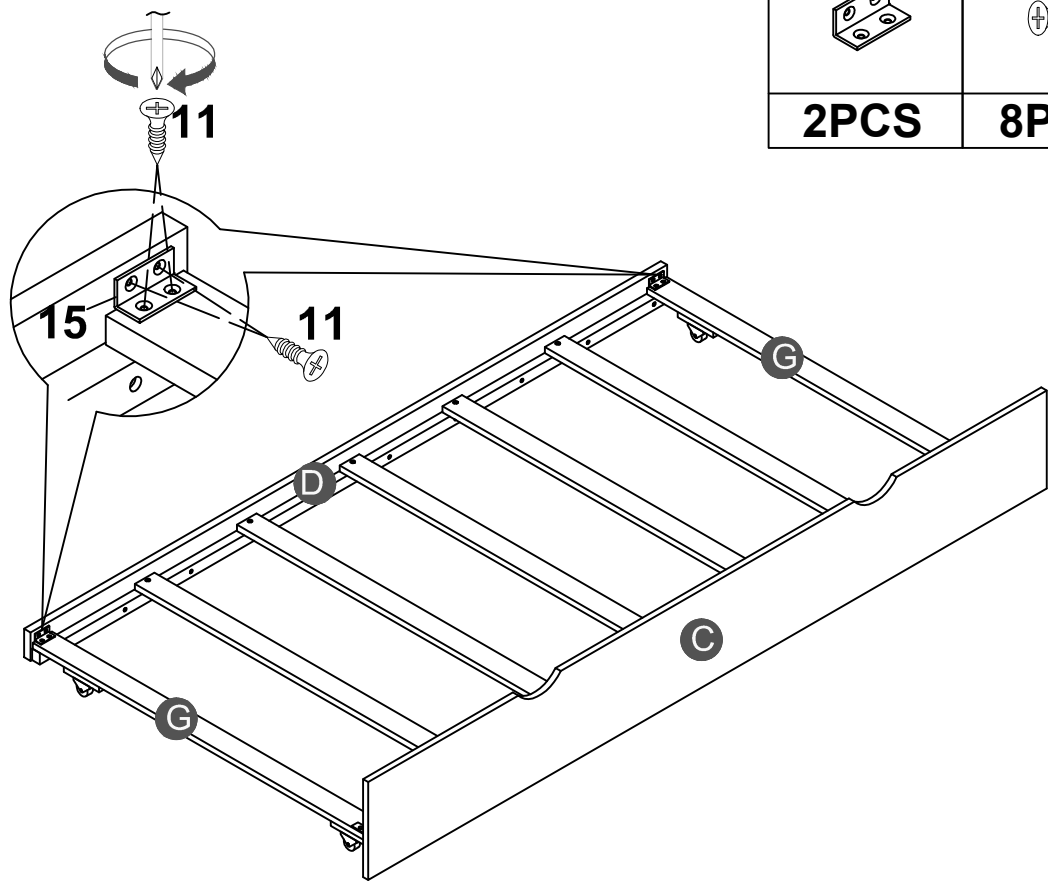
STEP 11:

10	11
	
2PCS	8PCS

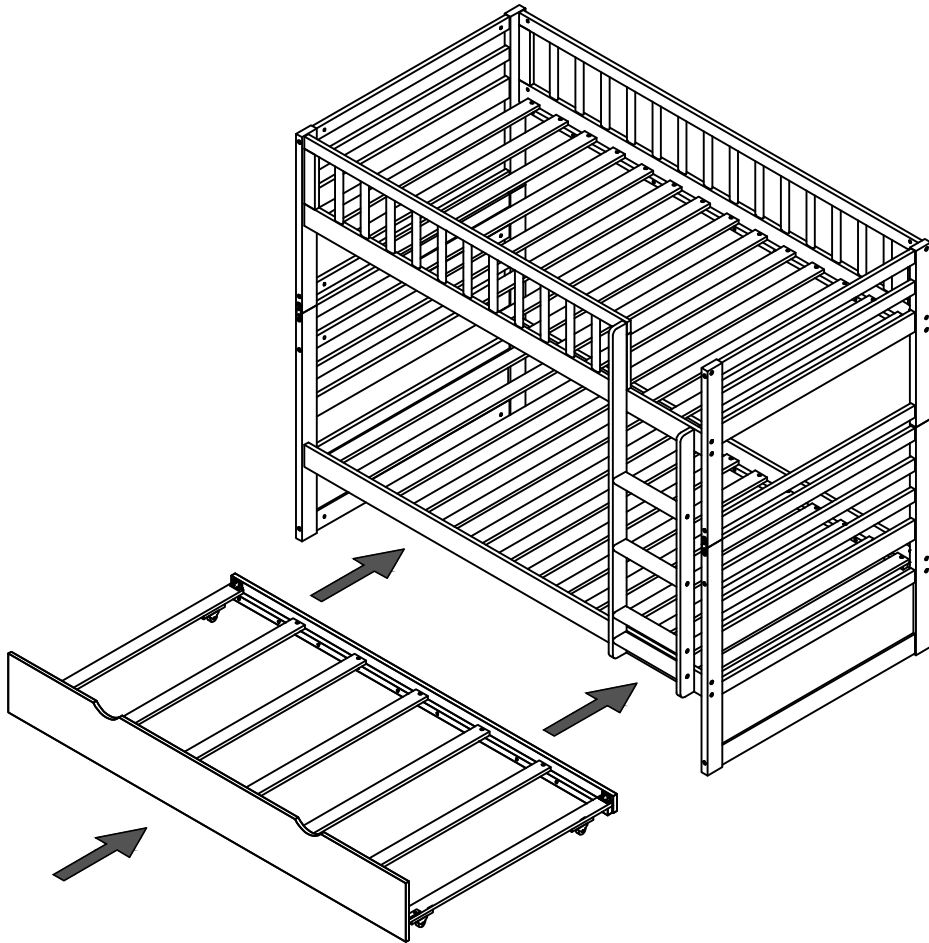


STEP 12:

15	11
	
2PCS	8PCS



STEP 13:



Push Trundle under the bottom of Bunkbed.

