

One-Piece Toilet

INSTALLATION INSTRUCTIONS



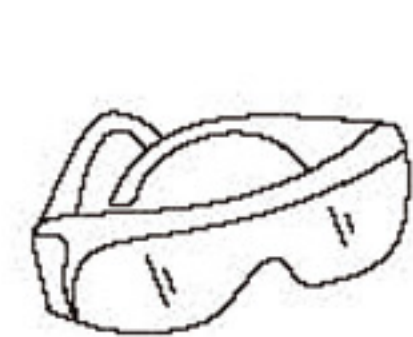


PRIOR TO INSTALLATION:

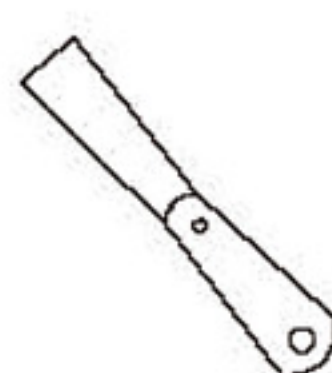
- Inspect toilet to ensure no damages have occurred while in shipping.
- Observe all plumbing and building codes in accordance with your state and local requirements.
- All dimensions are nominal! Be sure to measure your toilet prior to installation.
- The step-by-step guidelines in the installation instructions are a general reference. Should there be any discrepancies, Swiss Madison cannot be held liable. It is recommended to install all Swiss Madison products by hiring a licensed professional.
- Read installation and maintenance instructions thoroughly before installing. Be sure to use proper tools and always wear proper personal safety accessories for your protection.
- Two people are recommended to handle and install this product as it is fragile.

SUGGESTED TOOLS & MATERIALS:

INCLUDED PARTS:



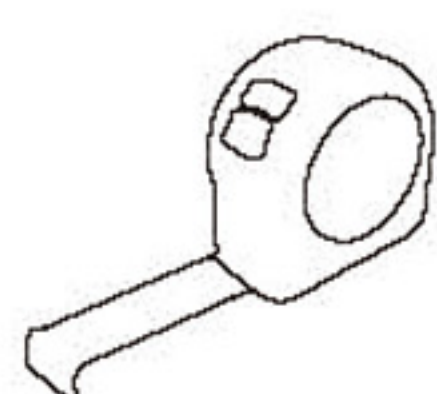
Safety Glasses



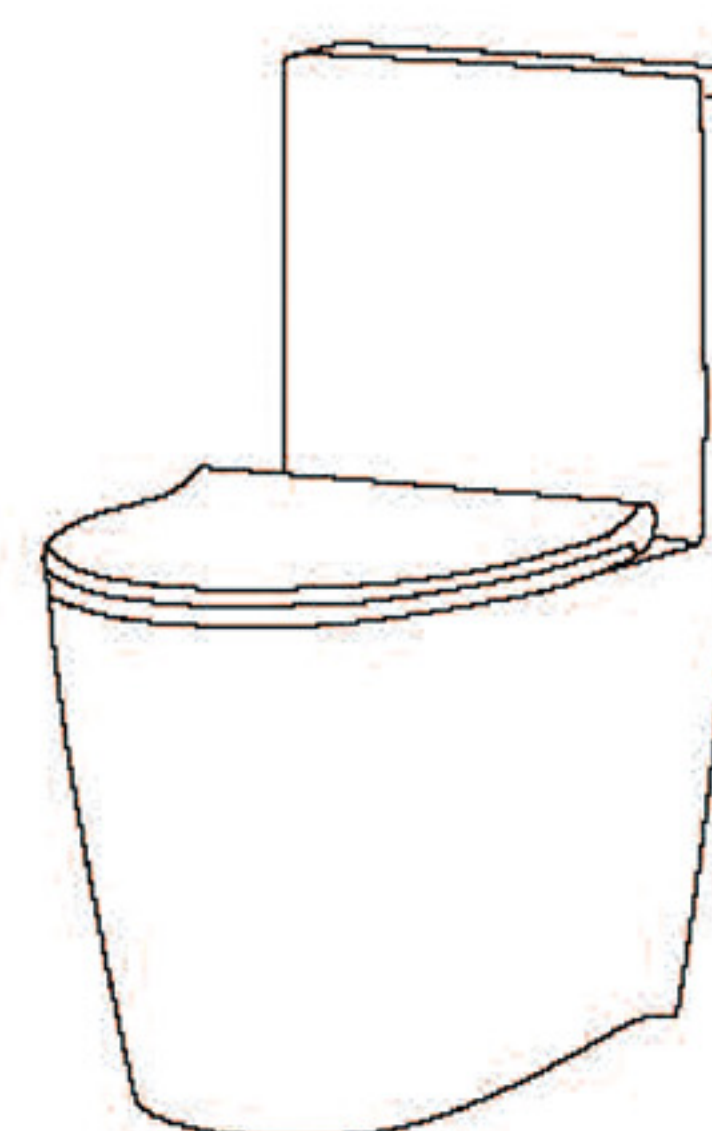
Putty Knife



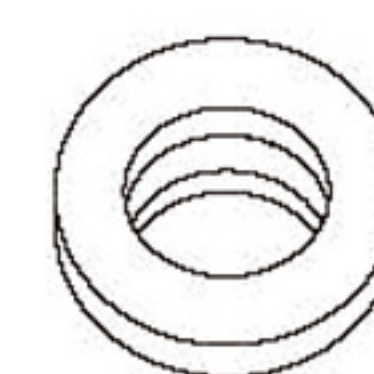
Wrench



Tape Measure



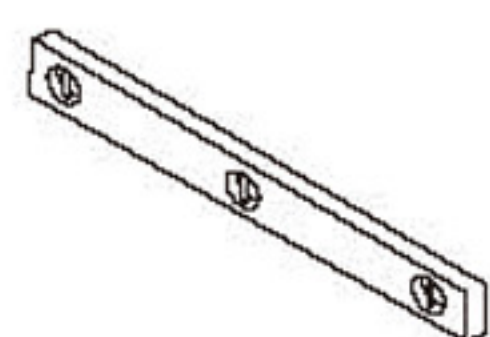
One-Piece Toilet



Wax Ring/
Gasket



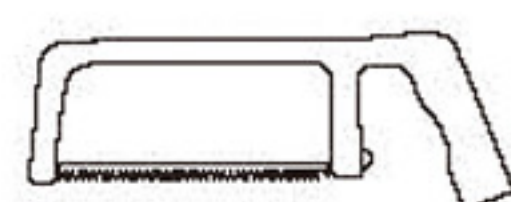
Cover Caps



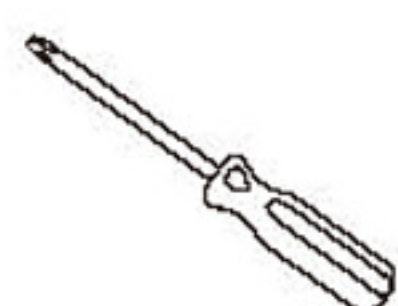
Level



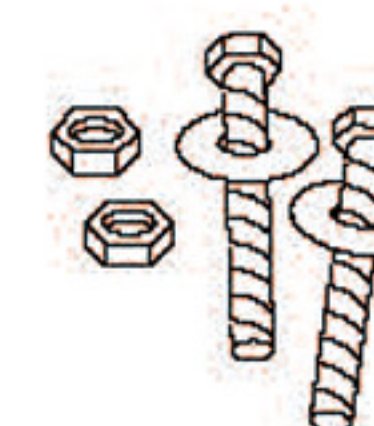
Flexible Supply Tube



Hacksaw



Screwdriver



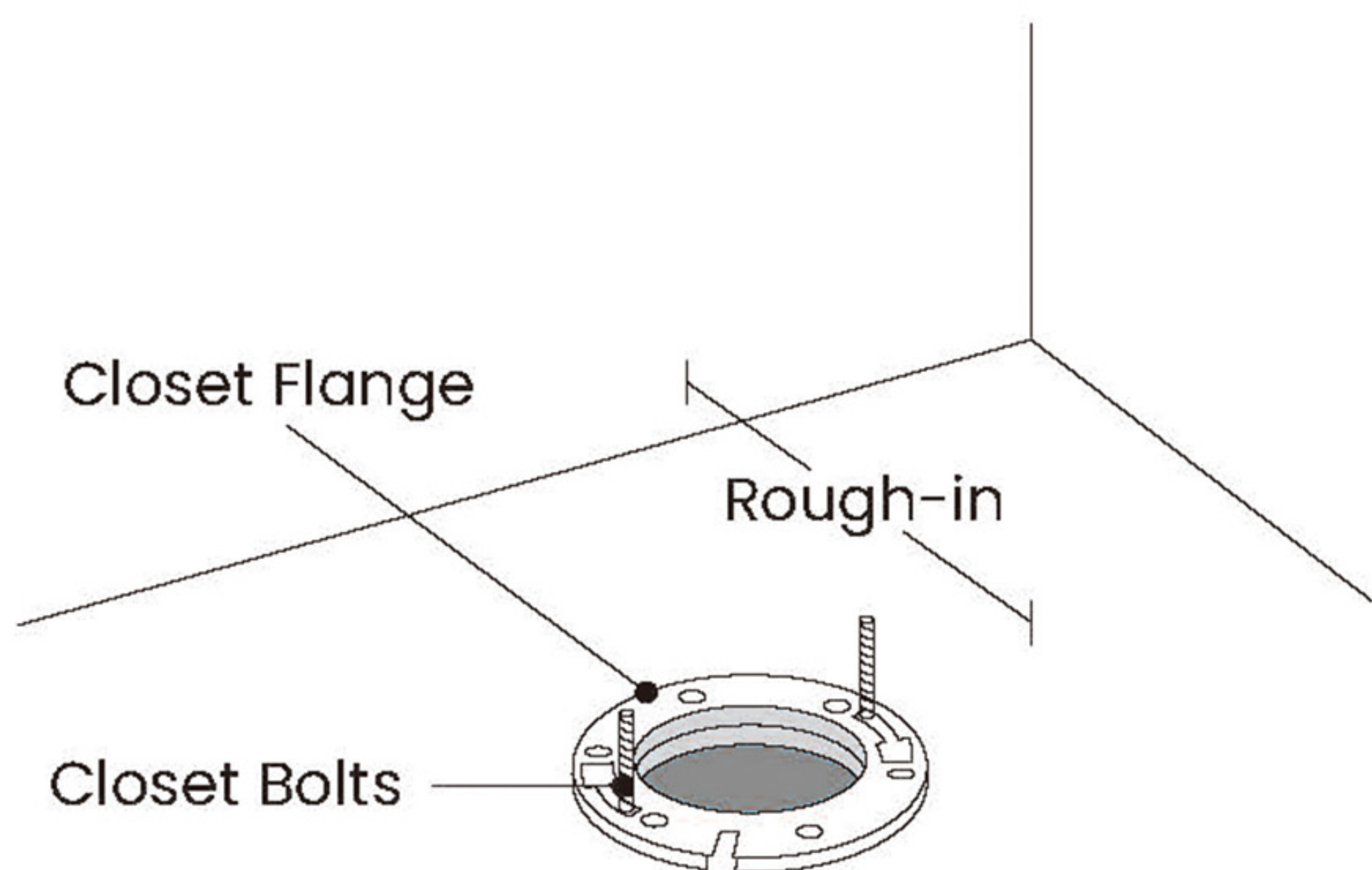
Bolts

1. Turn Off Water Supply

- Close toilet supply valve and flush tank completely, use towel to remove excess water.
- Disconnect and remove supply line, if you are replacing the valve shut main water supply first.
- Remove closet bolts from flange and clean wax and putty from base area.

3. Install Closet Bolts

- Install closet bolts to flange channel, turn 90° and slide into place 6" (152mm) apart and parallel to wall.

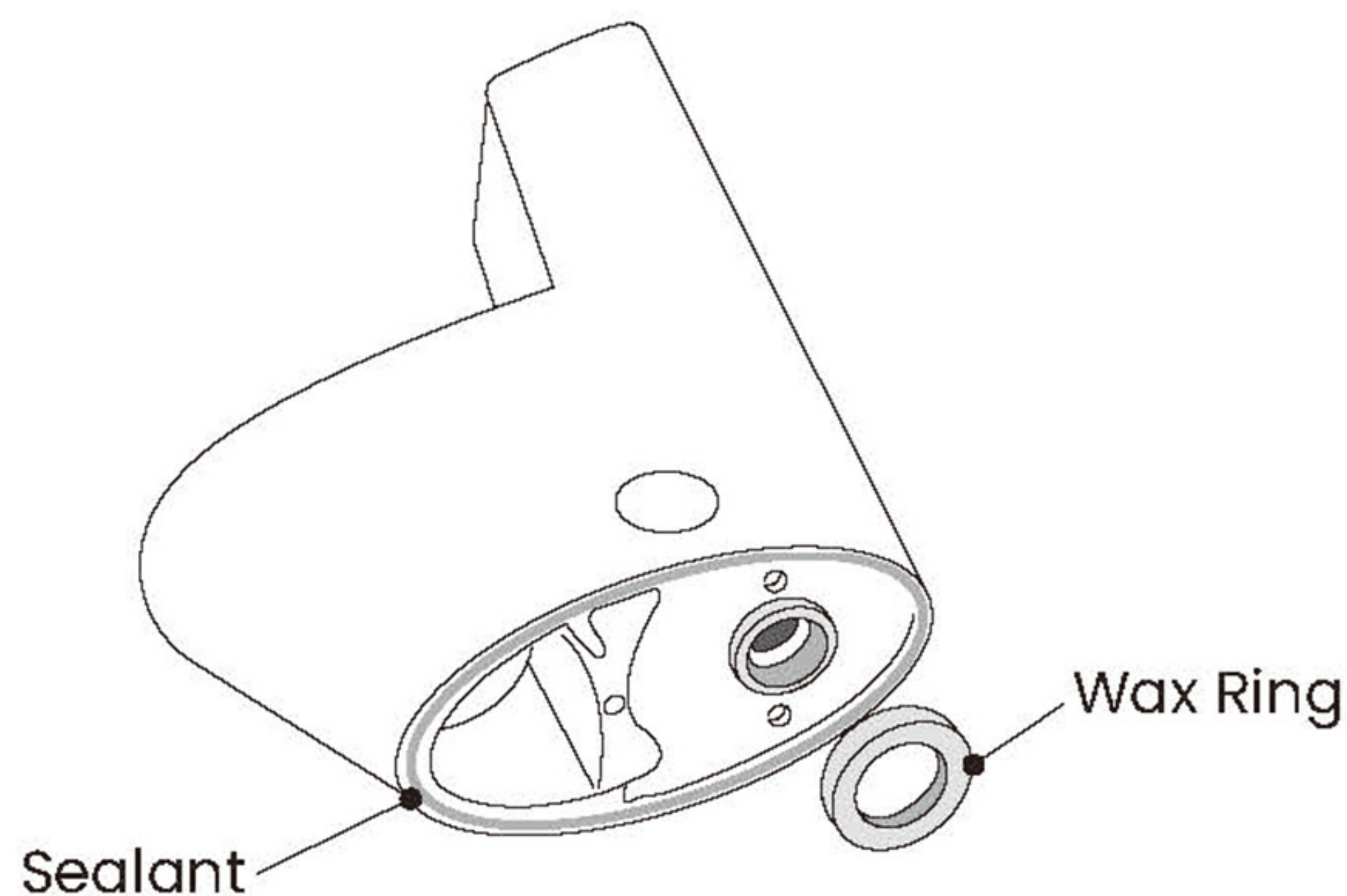


2. Rough-In the Toilet

- Measure the wall from behind the toilet to the middle of the closet bolt. Your rough-in measurement should be around 10".

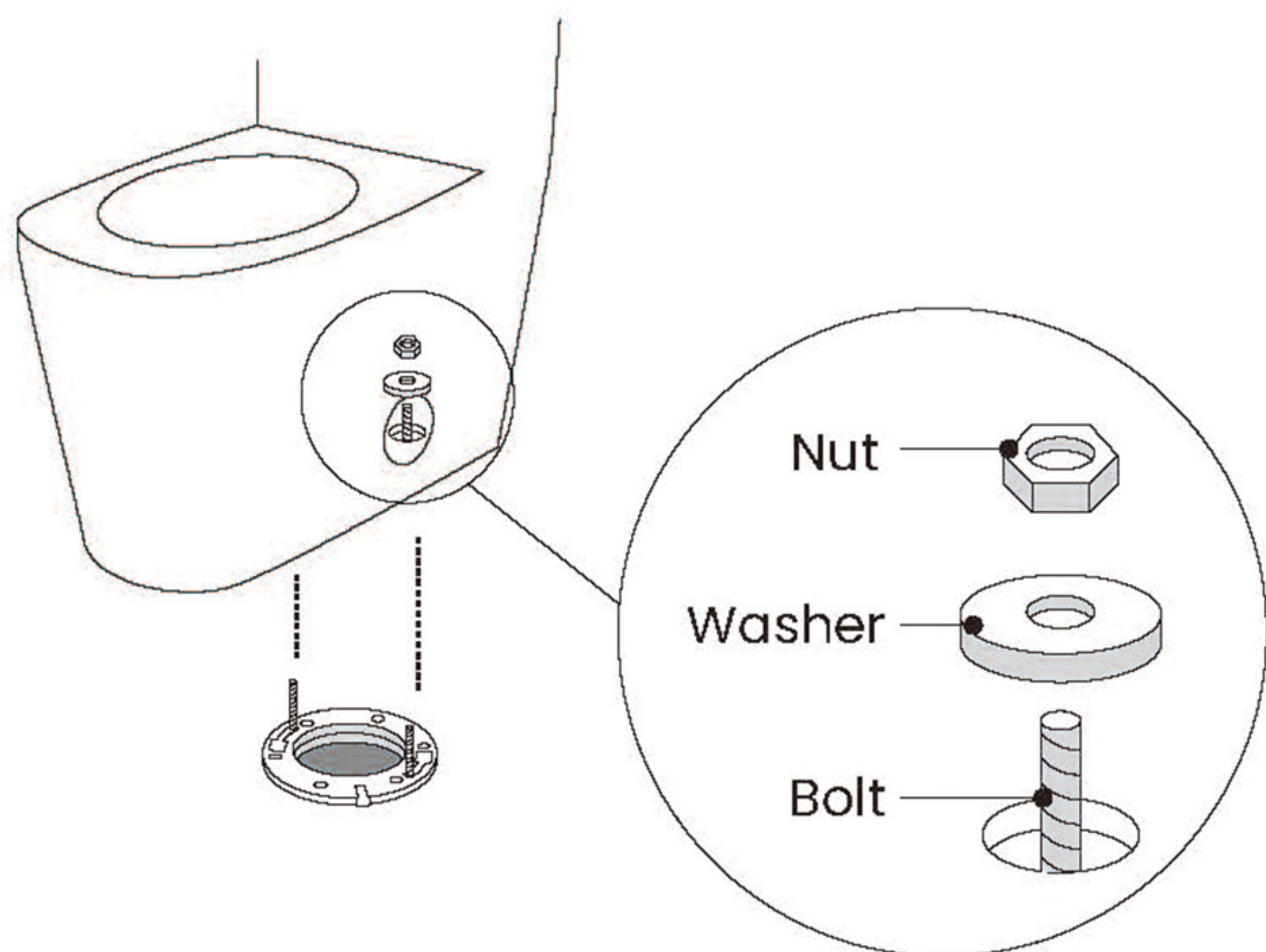
4. Install Wax Seal

- Invert toilet on floor (use cushion to prevent damage), and install wax ring evenly around waste flange with tapered end of ring facing toilet. Apply a thin bead of sealant around toilet base.



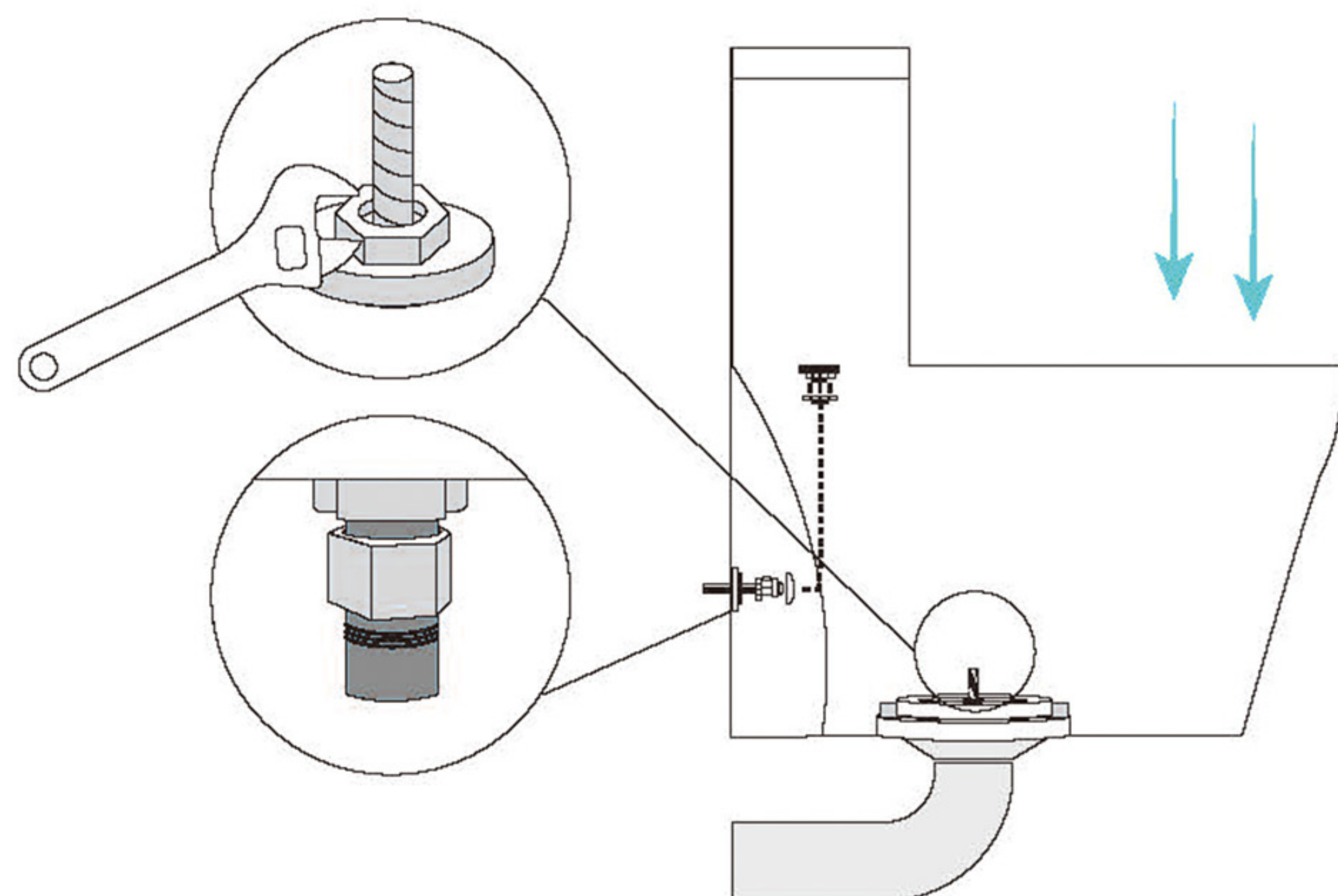
5. Position Toilet on Flange

- Hand-tighten water supply hose to the fill valve in the back of the toilet. Do not connect to water supply yet.
- Unplug floor waste opening and install toilet on closet flange so bolts project through the mounting holes.
- Loosely install retainer washers and nuts.



6. Install Toilet

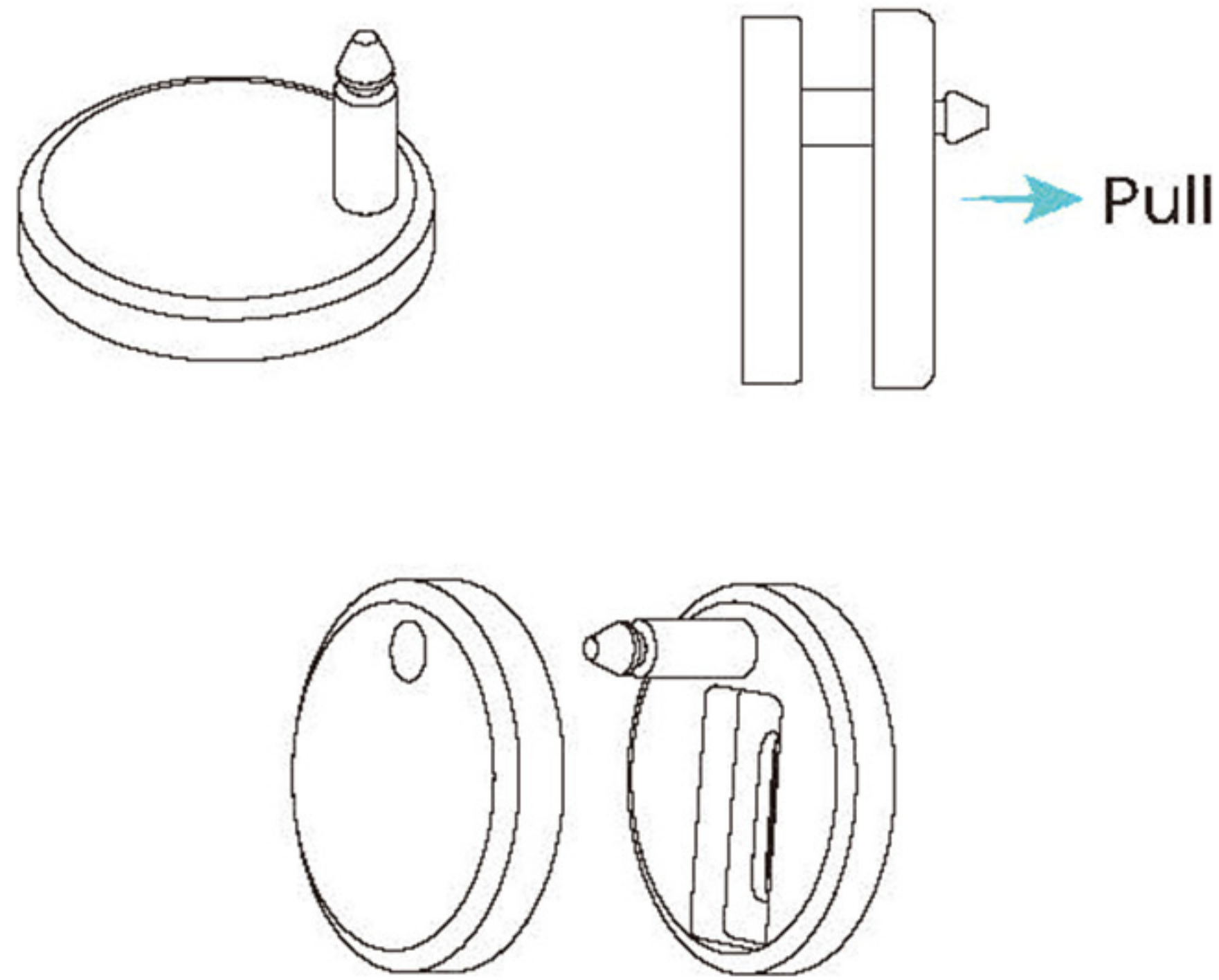
- Position toilet square to wall and, with a rocking motion, press bowl down fully on wax ring and flange. Alternately tighten nuts until toilet is firmly sealed to floor. Do not over-tighten nuts, it might crack ceramic.
- Smooth off the bead of sealant around the base. Remove excess sealant.
- Place cover caps to hide installation holes on toilet.
- Connect water supply to shut off valve, and check for leaks. Tighten if necessary.



TOILET SEAT INSTALLATION

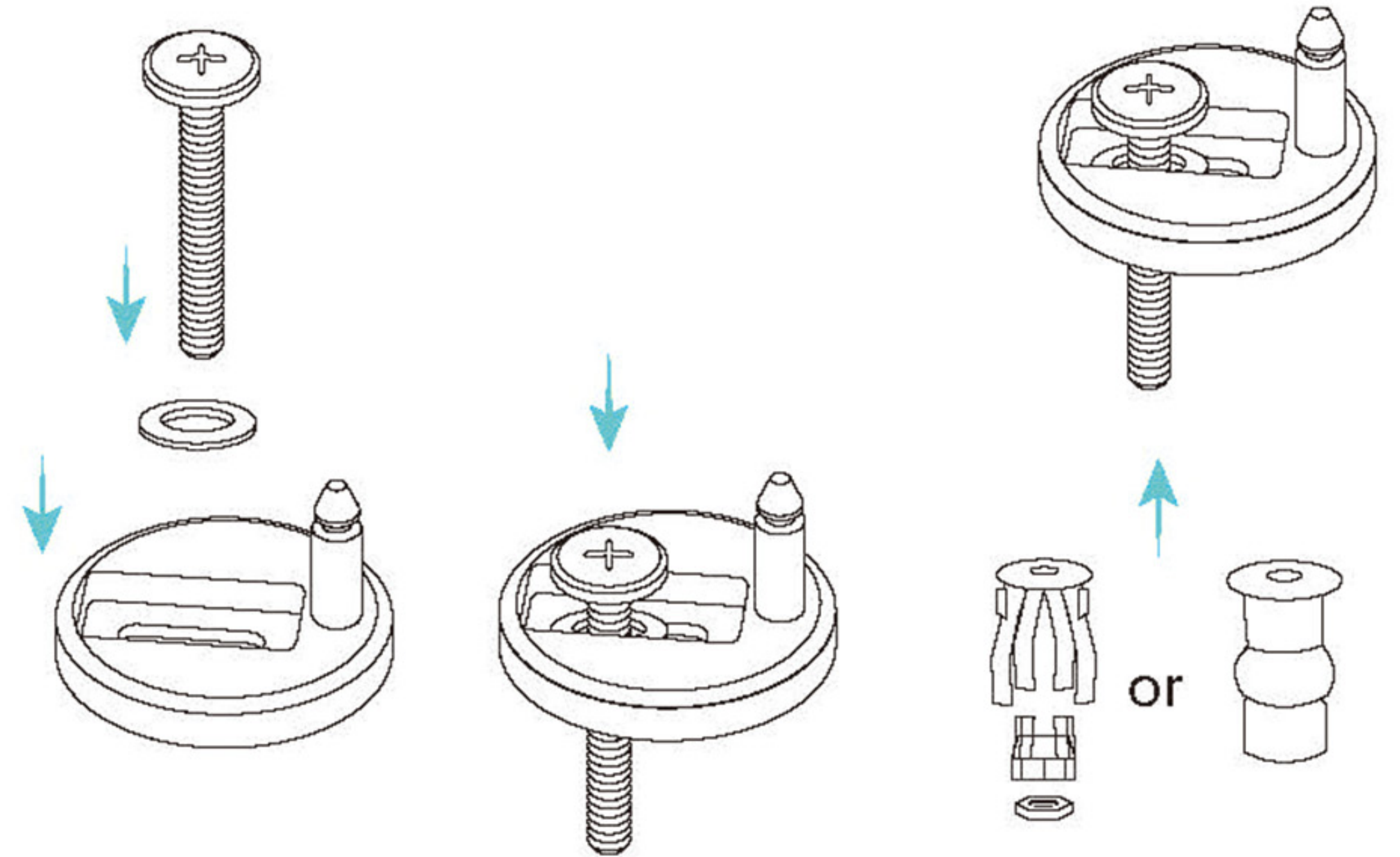
1. Disassemble

- Disassemble the cover cap and the hinge.



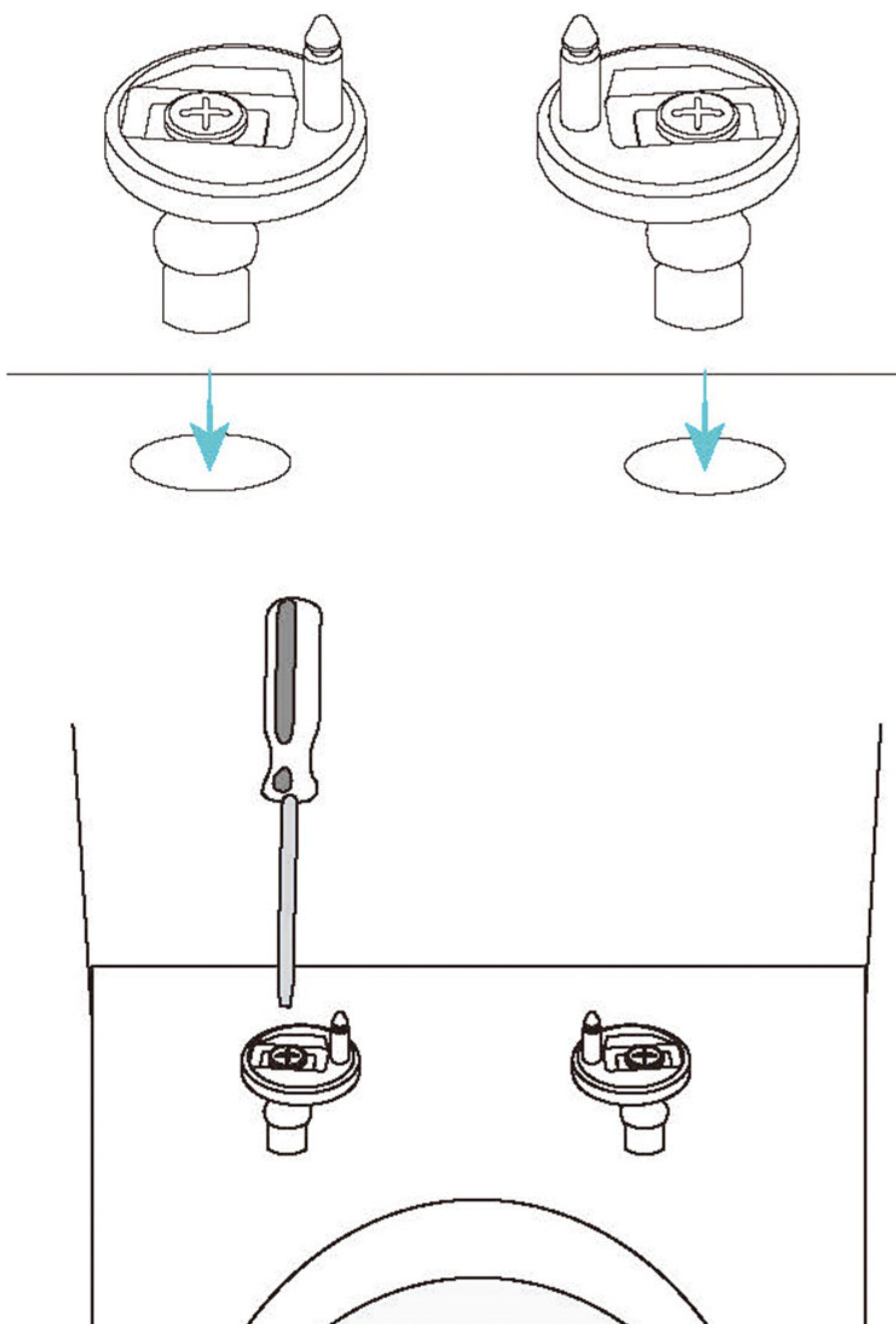
2. Construct Hinges

- Insert screw and nut into the hole on the hinge.
- Attach blind hole screw fixing to the bottom of screw.



3. Attach Hinges

- Insert hinges with blind hole screw fixings attached into holes on toilet bowl.
- Lightly tighten hinges with a screwdriver too allow for later adjustment.

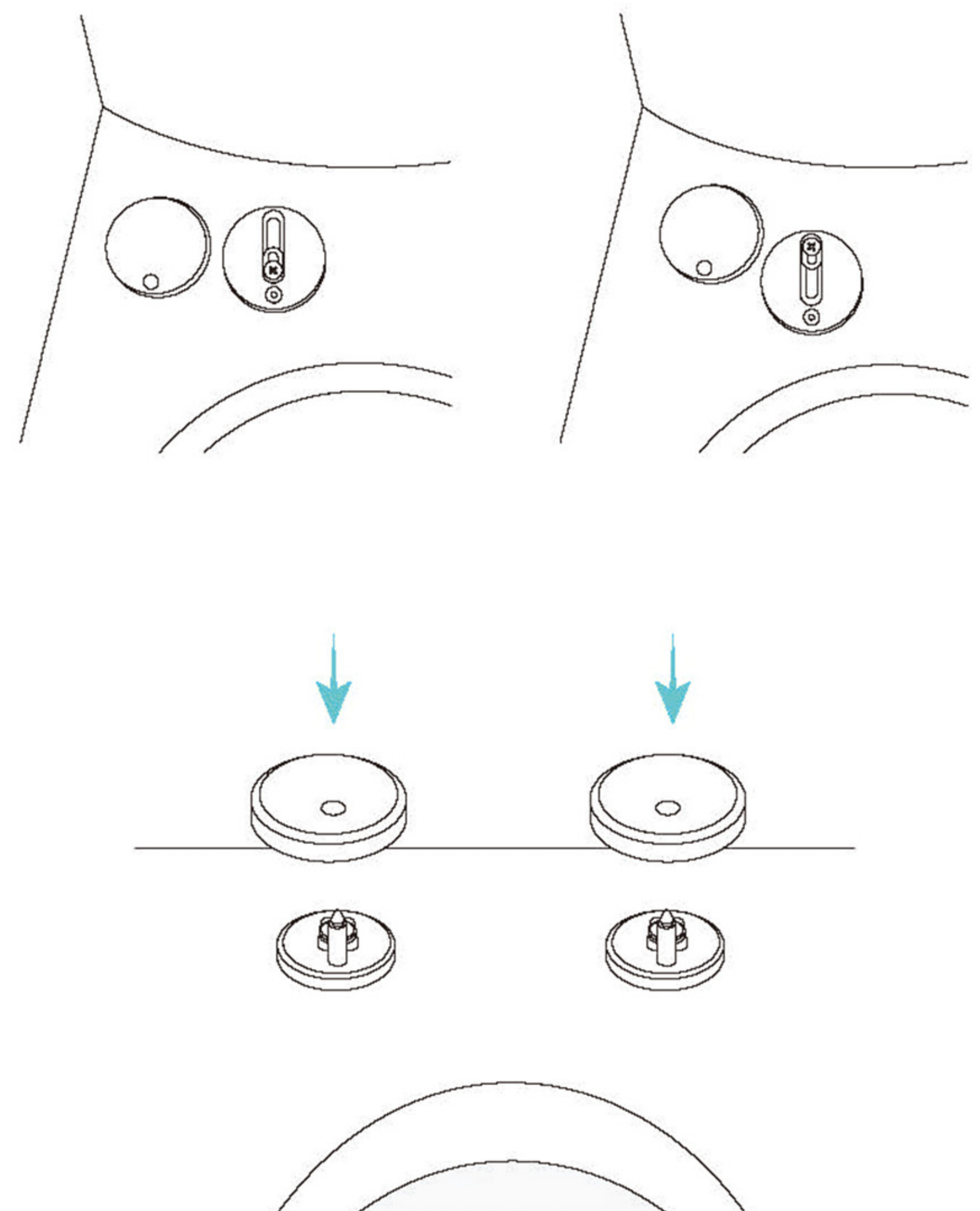


4. Adjust and Cover Hinges

- Be sure the hinge is all the way forward for proper seat fitting.
- Place the covers onto the hinges.

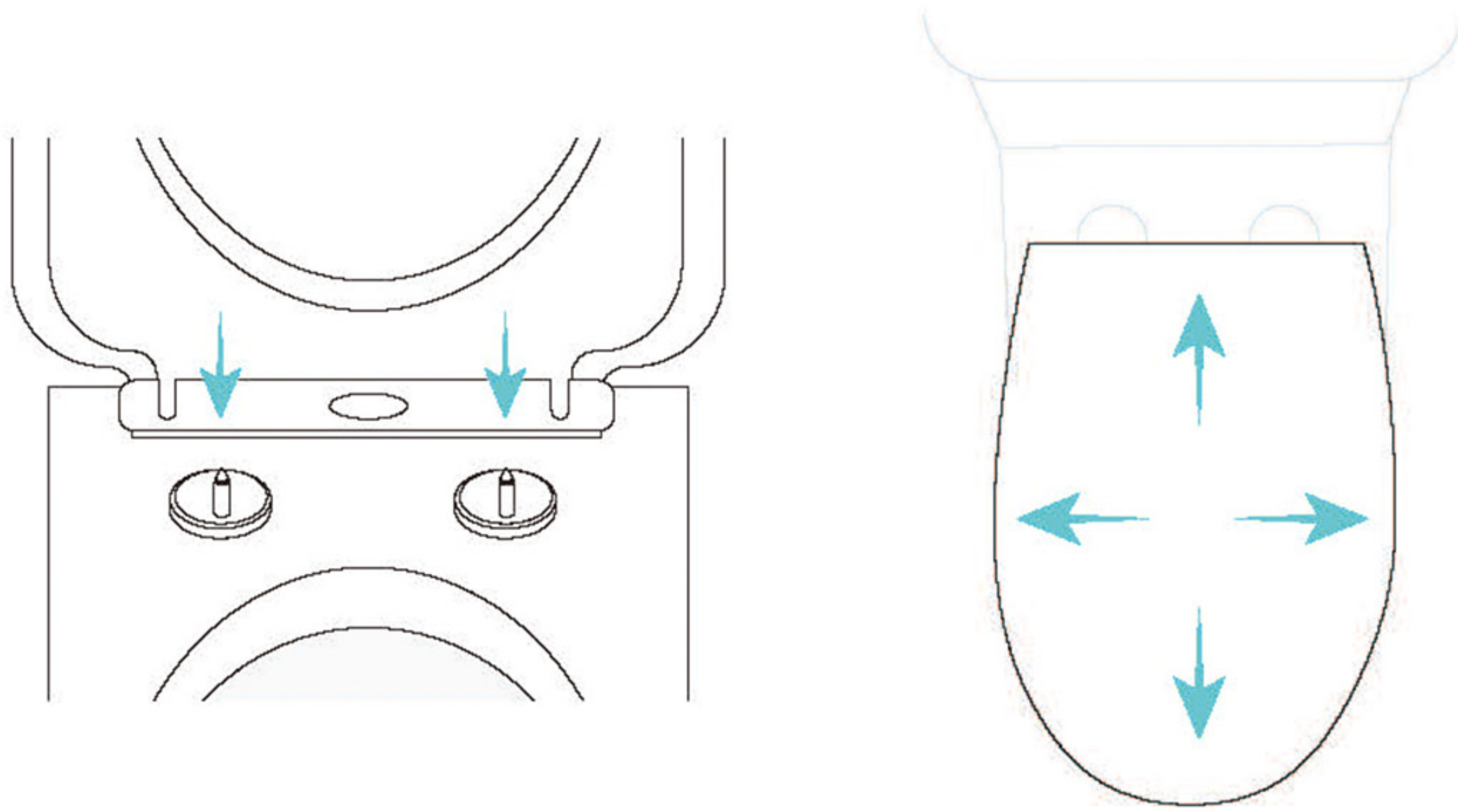
Incorrect:

Correct:



5. Adjust and Attach Seat

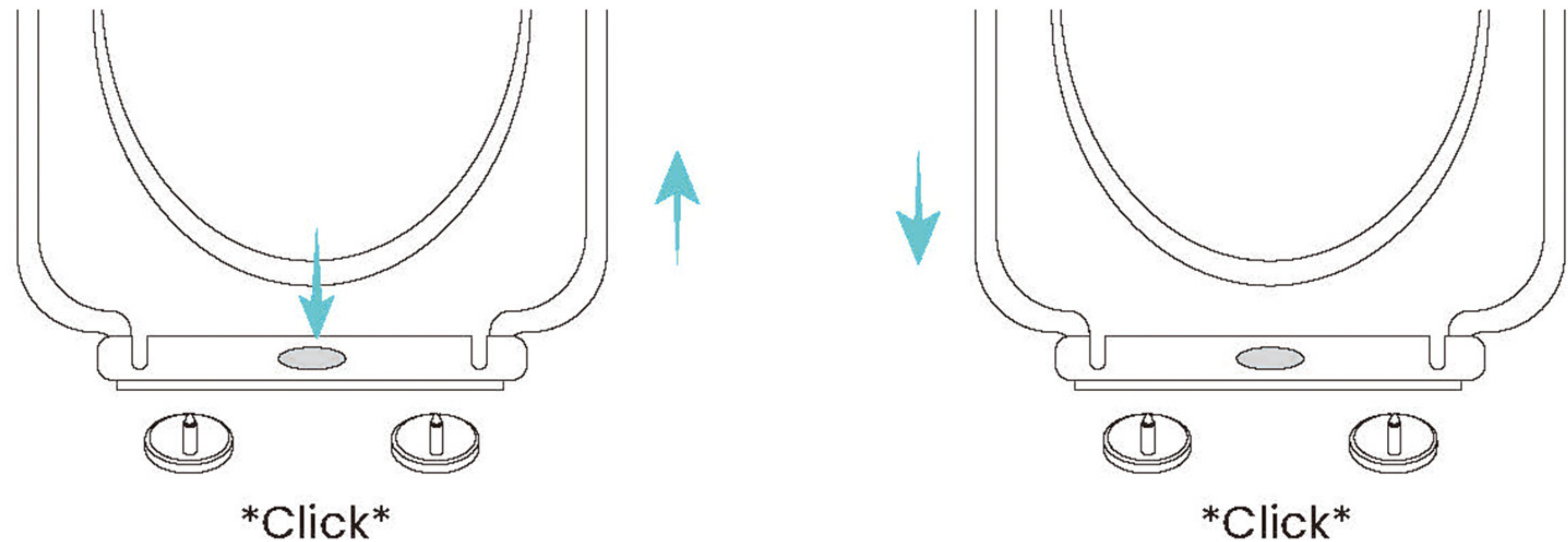
- Align seat to the hinges then firmly tighten the hinges.
- Attach seat to the secure hinges.
- Adjust seat to align to the bowl.



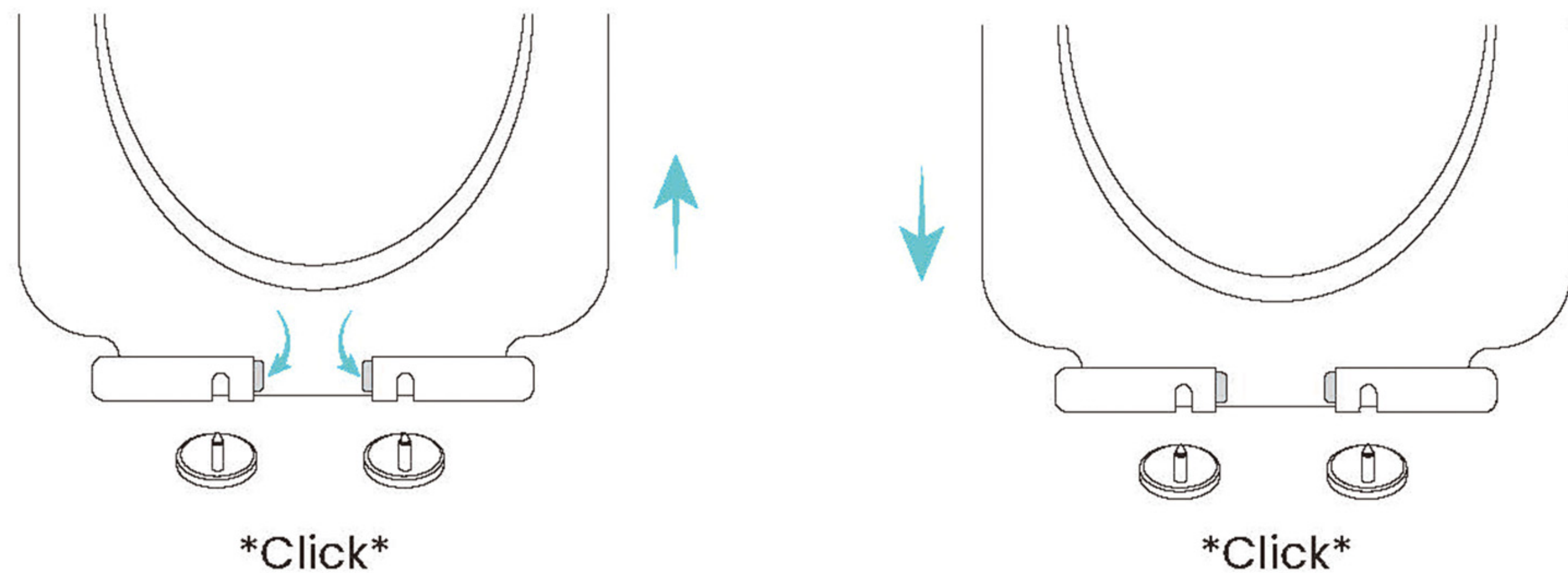
TOILET SEAT USAGE

- To remove, push middle button until you hear a "click", then pull straight up.
- To re-install, align hinge posts with reference marks on seat, then push down until your hear a "click".

One Button:



Two Button:



LIMITED WARRANTY COVERAGE

ONE YEAR LIMITED WARRANTY

This product uses high quality materials and exquisite workmanship to provide customers with durable products. Under normal use, if there is any defect in the material or workmanship, we will check and replace the parts free of charge within the first year of delivery, or replace any product or part deemed to be defective, under normal installation, use, service maintenance. This warranty applies only to the original purchaser. Note: In the case of a claim, proof of purchase, date of installation, description and pictures of the defect, model or model description are required.

This One Year Limited Warranty Will Be Voided If:

- The installation recommendations were not followed by the installer
- The product has been moved from its initial place of installation
- The product has in any way been modified from its packaged state
- This product has been subject to improper maintenance, abuse, misuse, overuse of improper organic ingredients in cleaning chemicals, hard water or mineral deposits, accidents or other damage
- Scratches are not covered by the warranty

The items you ordered may contain sharp and other potentially harmful debris and may result in a hazard to children and adults. Seller shall not be liable in any way for personal damage or any special, incidental or indirect damage in connection with the installation, replacement, return or use of the original Buyer's Products.

Warranty is a comprehensive and explicit limit of liability, All items not disclosed within the warranty are not addressable within the responsibility of seller, Certain states have variances regarding implied warranties; in those situations, we remain fully compliant.