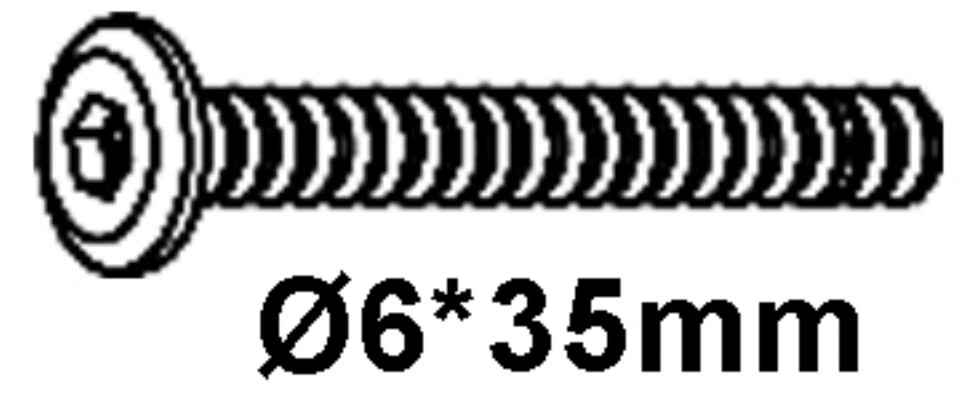


INSTALLATION INSTRUCTIONS

INSTALLATION ACCESSORIES



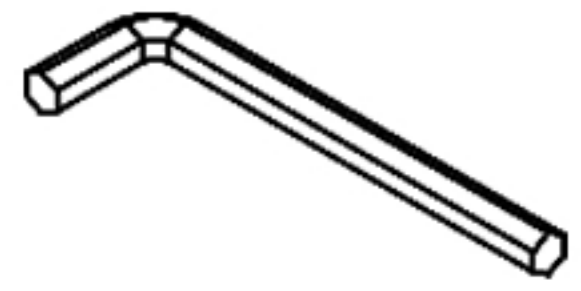
A x 4

Ø6*35mm

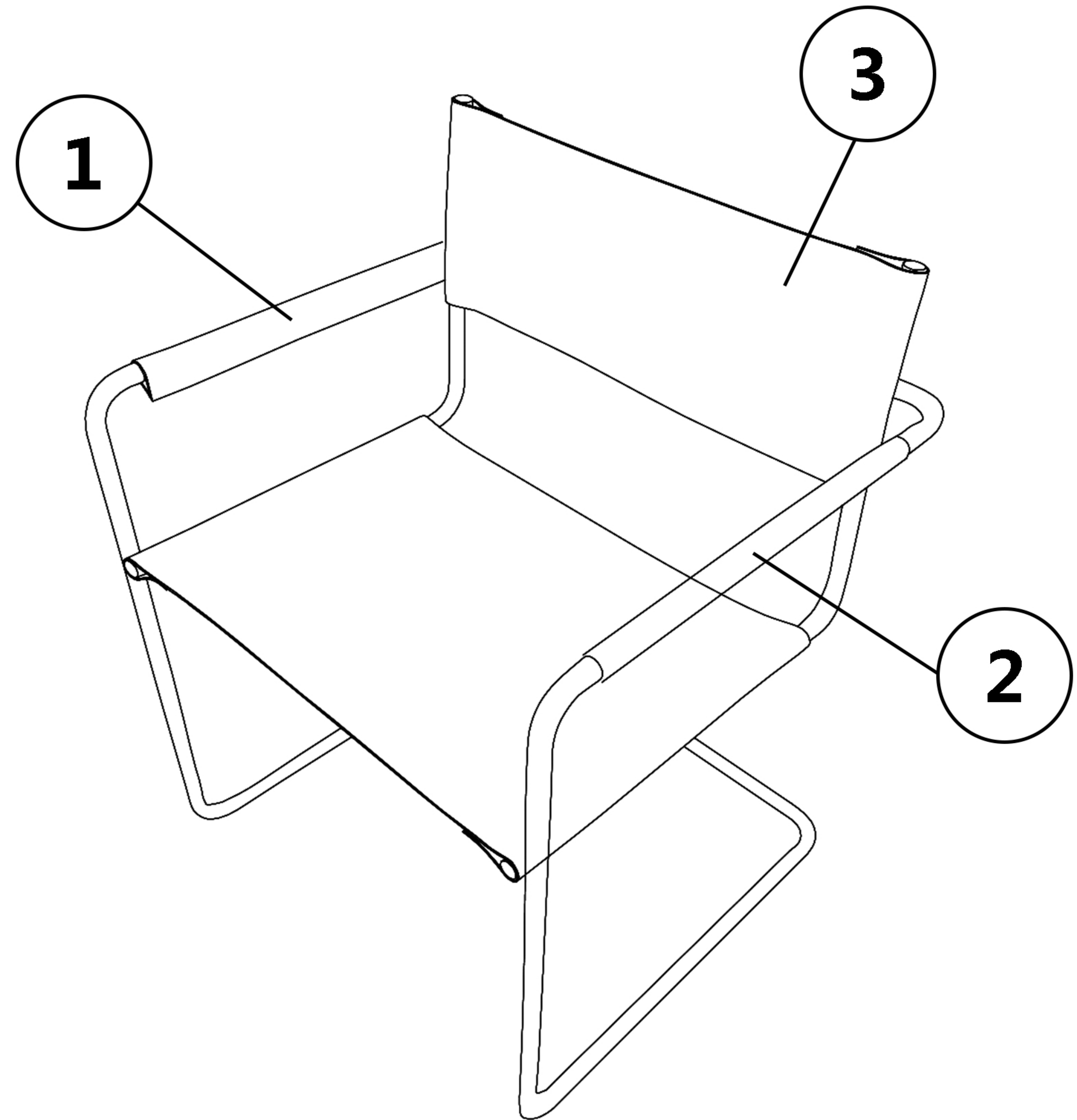


B x 2

Ø6*15mm



C x 1

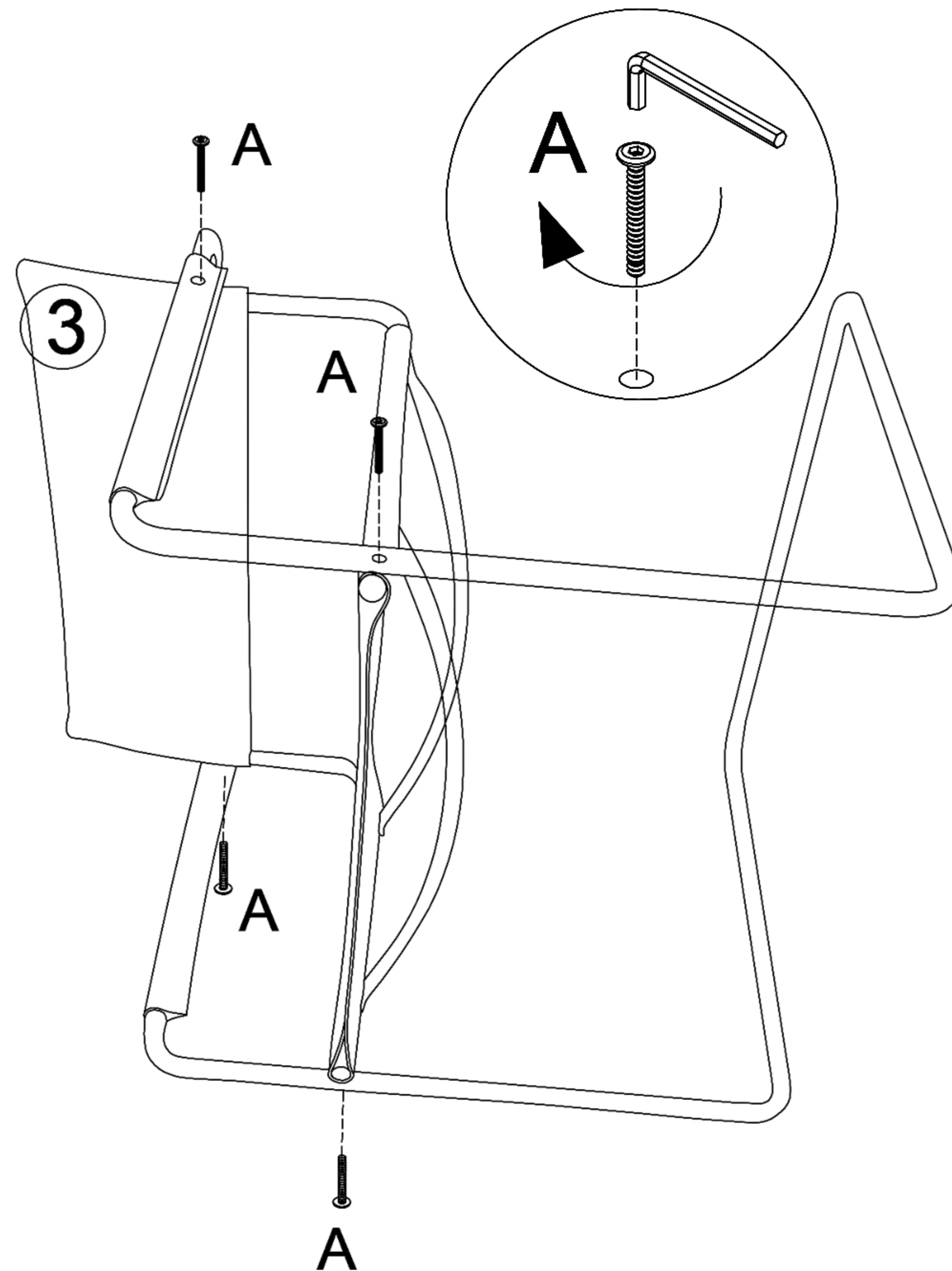
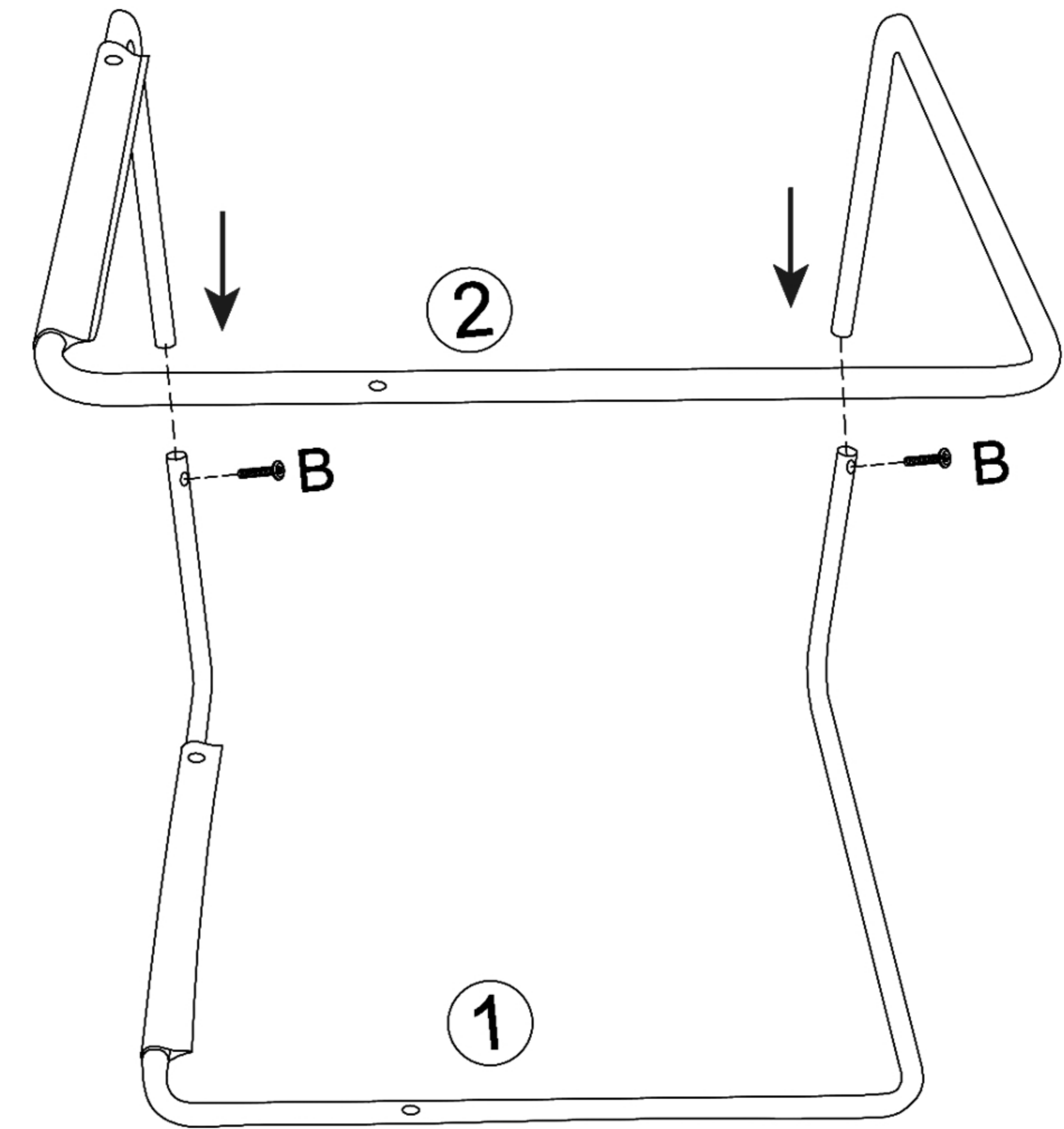


Please read the installation steps carefully to avoid unnecessary damage

INSTALLATION INSTRUCTIONS

Step 1

Connect part 1 and part 2 as shown in the figure, and fix them with screws B



Step 2

First install the two screws on the back. Pay attention to lift the frame installed in step ① up a little, and visually align it with the screw hole position.

Then install the two screws of the seat package, lift the frame installed in step ① up a little, and align it with the hole position visually

Please read the installation steps carefully to avoid unnecessary damage