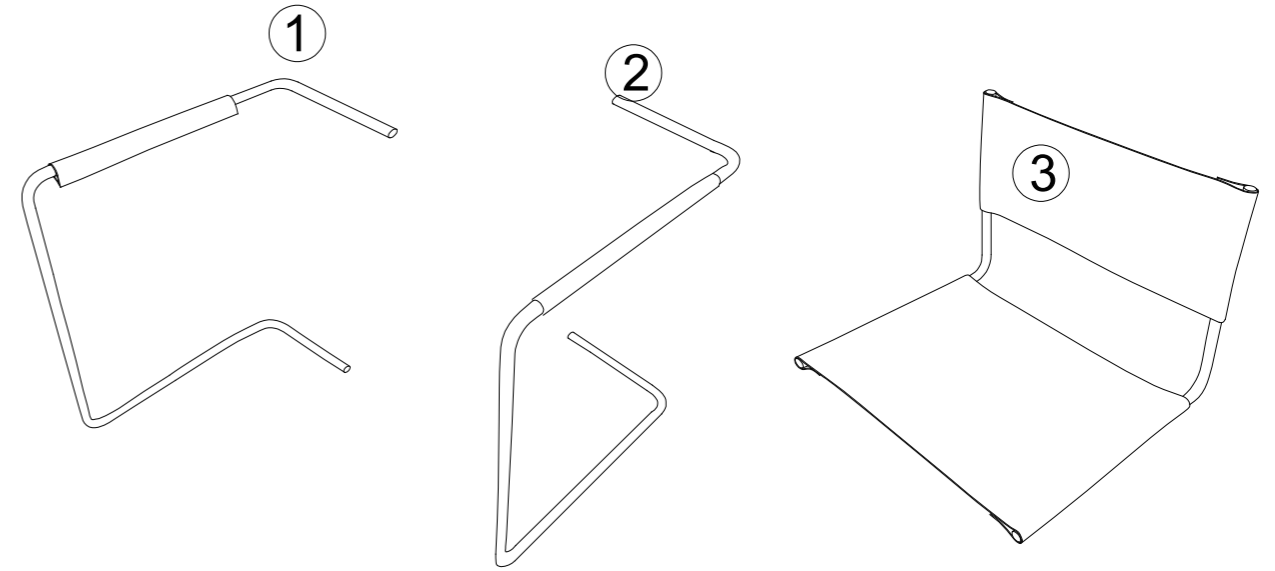
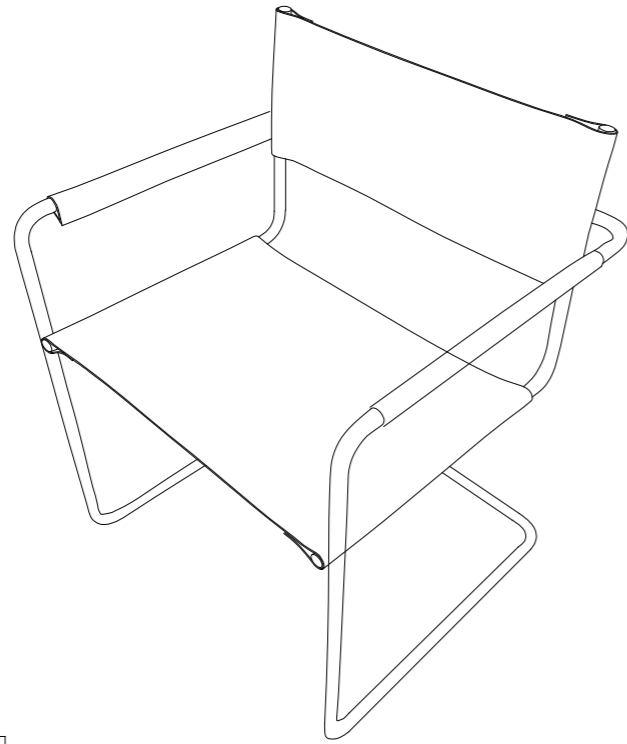


# ASSEMBLY INSTRUCTION



A x 4

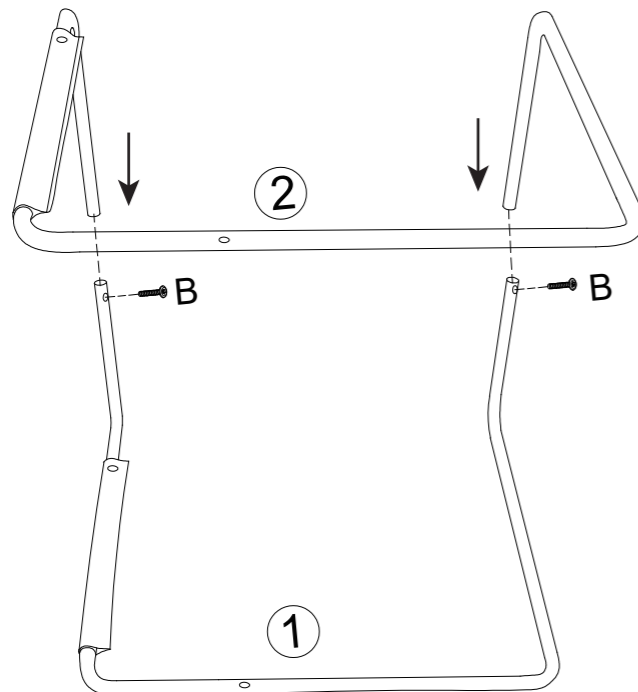


B x 2



C x 1

## STEP 1



## STEP 2

