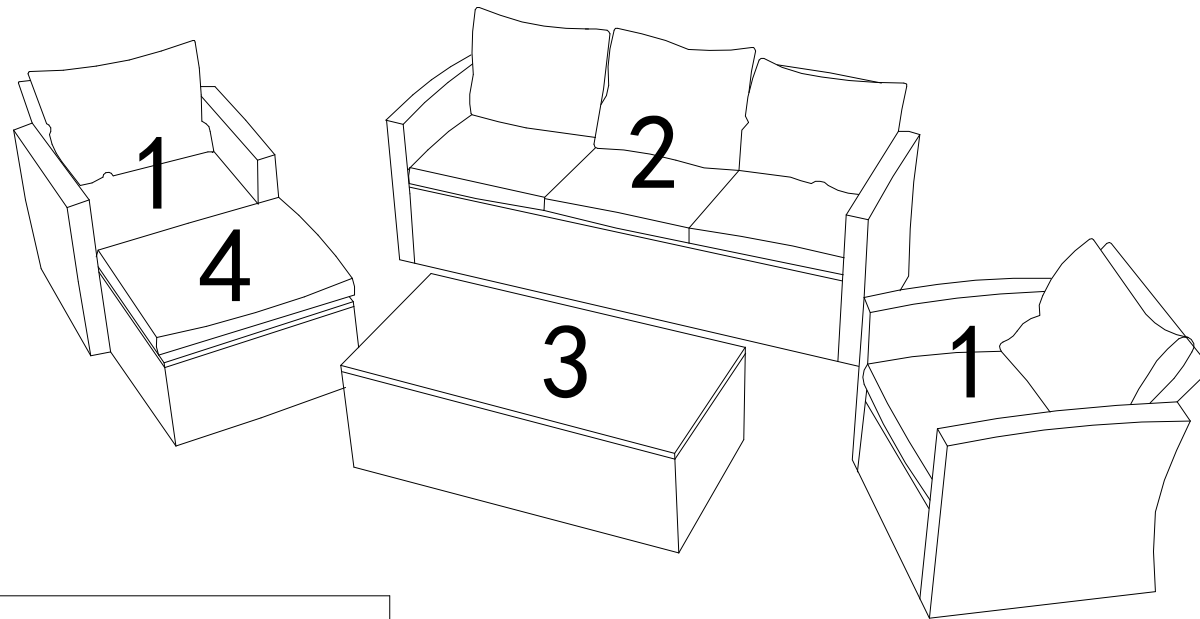









BAS-2236D Assembly Instructions



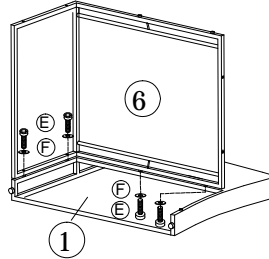
1	SINGLE CHAIR
2	THREE SEATER SOFA
3	TABLE
4	OTTOMAN

NOTE: DO NOT TIGHTEN BOLTS UNTIL ALL PARTS ARE CONNECTED
YOU MAY FIND CUSHIONS PLACED UNDERNEATH THE TABLE AND STORAGE BOX OR BETWEEN FRAMES!

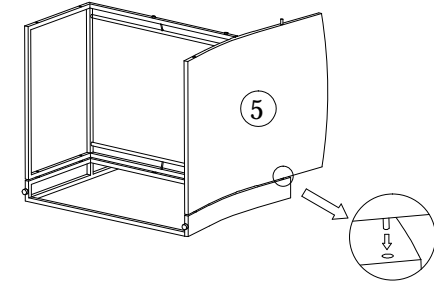
SINGLE CHAIR

①	RIGHT ARMREST		1PC
②	LEFT ARMREST		1PC
⑤	BACK PART		1PC
⑥	SEAT PART		1PC
Ⓔ	BOLT (M6x30 mm)		12PCS
Ⓕ	WASHER		12PCS
Ⓖ	ALLEN WRENCH		1PC

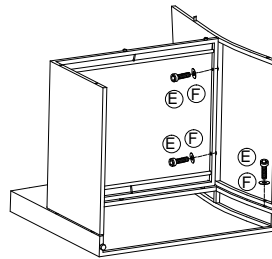
1



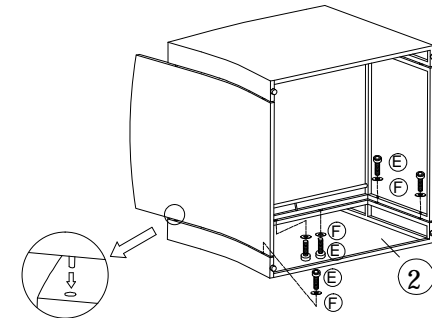
2



3



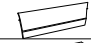
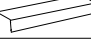
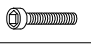




4

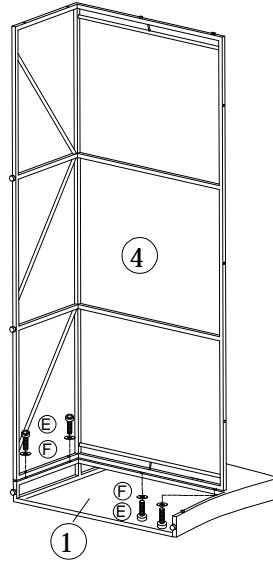


NOTE: DO NOT TIGHTEN BOLTS UNTIL ALL PARTS ARE CONNECTED
YOU MAY FIND CUSHIONS PLACED UNDERNEATH THE TABLE AND STORAGE BOX OR BETWEEN FRAMES!

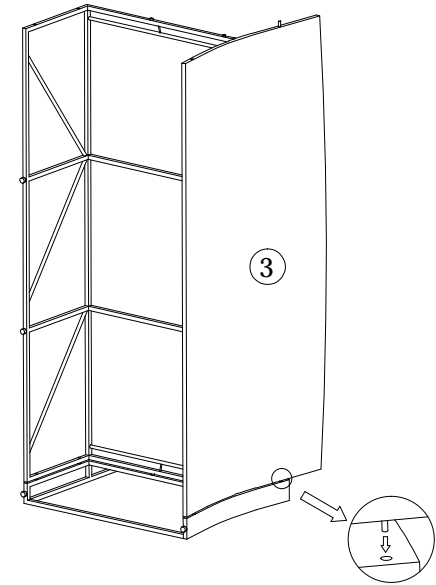
THREE SEATER SOFA

①	RIGHT ARMREST		1PC
②	LEFT ARMREST		1PC
③	BACK PART		1PC
④	SEAT PART		1PC
Ⓔ	BOLT (M6x30 mm)		13PCS
Ⓕ	WASHER		13PCS
Ⓖ	ALLEN WRENCH		1PC

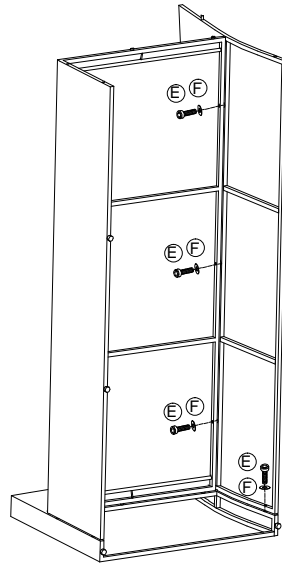
1



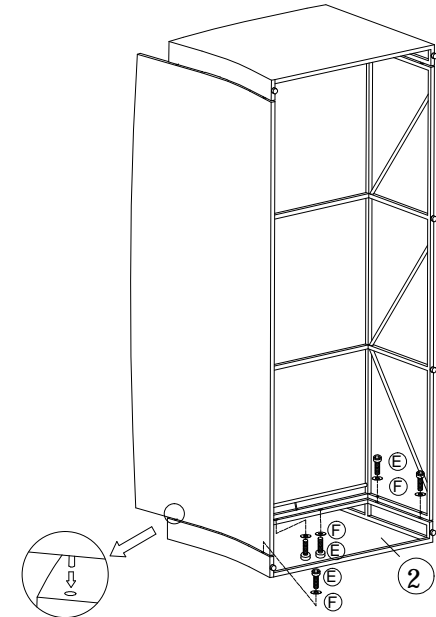
2



3



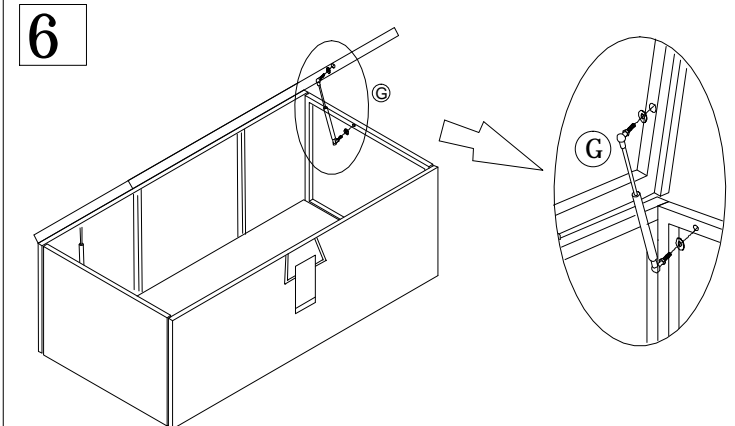
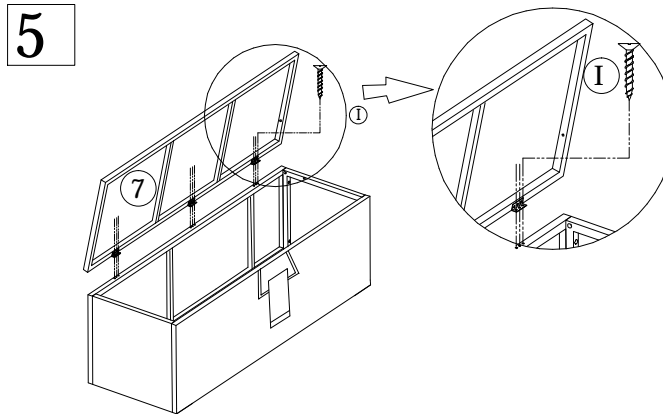
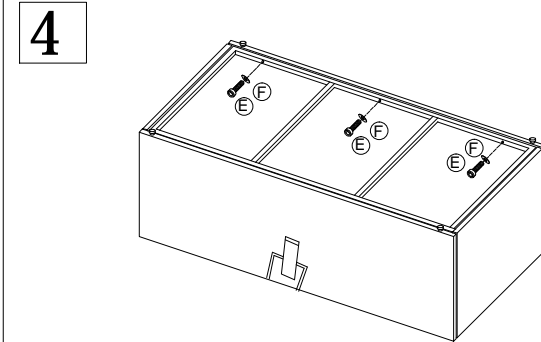
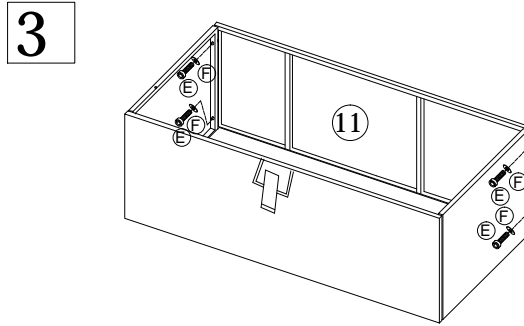
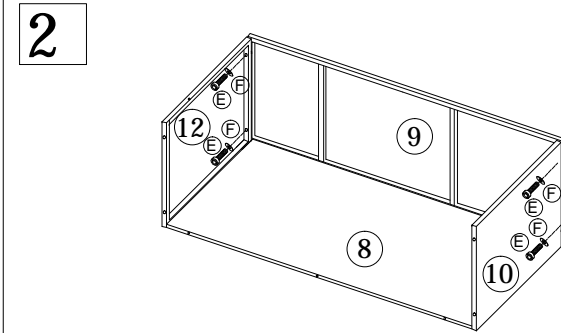
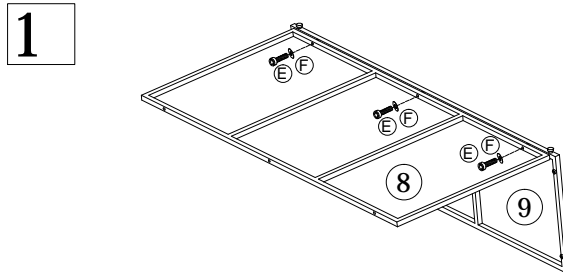
4



NOTE: DO NOT TIGHTEN BOLTS UNTIL ALL PARTS ARE CONNECTED
YOU MAY FIND CUSHIONS PLACED UNDERNEATH THE TABLE AND STORAGE BOX OR BETWEEN FRAMES!











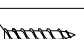

TABLE

⑦	TABLE TOP		1PC
⑧	TABLE BASE		1PC
⑨	TABLE SIDE FRONT		1PC
⑩	TABLE SIDE RIGHT		1PC
⑪	TABLE SIDE BACK		1PC
⑫	TABLE SIDE LEFT		1PC
Ⓔ	BOLT (M6x30 mm)		14PCS
Ⓕ	WASHER		14PCS
Ⓖ	ALLEN WRENCH		1PC
Ⓖ	GAS SUPPORT STRUTS		2PCS
Ⓘ	SELF-TAPPING SCREW (Φ3X16 mm)		9PCS
Ⓙ	WRENCH		1PC

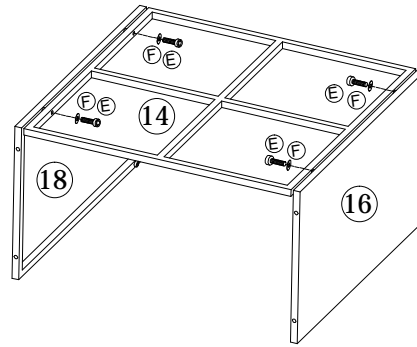


**NOTE: DO NOT TIGHTEN BOLTS UNTIL ALL PARTS ARE CONNECTED
YOU MAY FIND CUSHIONS PLACED UNDERNEATH THE TABLE AND STORAGE BOX OR BETWEEN FRAMES!**

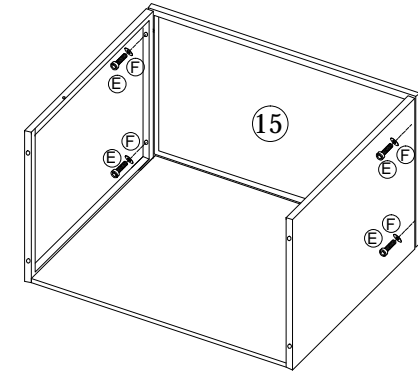
OTTOMAN

13	OTTOMAN TOP		1PC
14	OTTOMAN BASE		1PC
15	OTTOMAN SIDE FRONT		1PC
16	OTTOMAN SIDE RIGHT		1PC
17	OTTOMAN SIDE BACK		1PC
18	OTTOMAN SIDE LEFT		1PC
E	BOLT (M6x30 mm)		12PCS
F	WASHER		12PCS
H	ALLEN WRENCH		1PC
G	GAS SUPPORT STRUTS		2PCS
I	SELF-TAPPING SCREW (φ3X16 mm)		6PCS
J	WRENCH		1PC

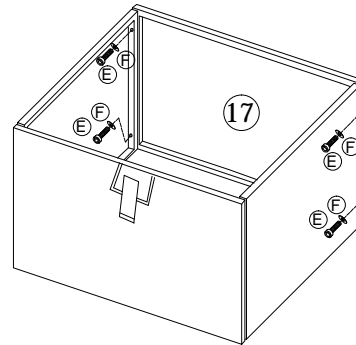
1



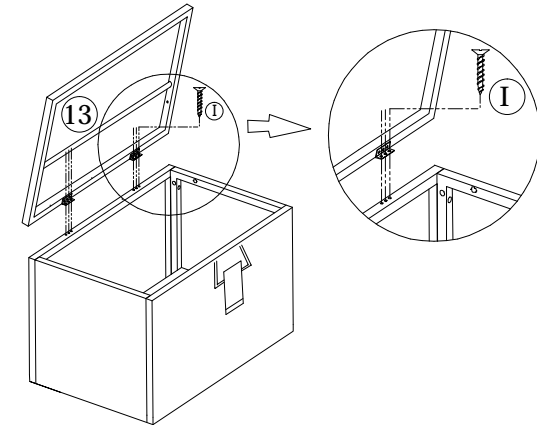
2



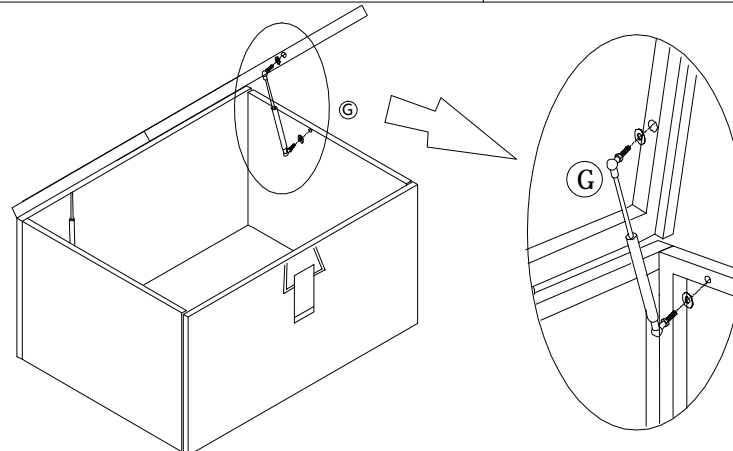
3



4



5



NOTE: DO NOT TIGHTEN BOLTS UNTIL ALL PARTS ARE CONNECTED
YOU MAY FIND CUSHIONS PLACED UNDERNEATH THE TABLE AND STORAGE BOX OR BETWEEN FRAMES!