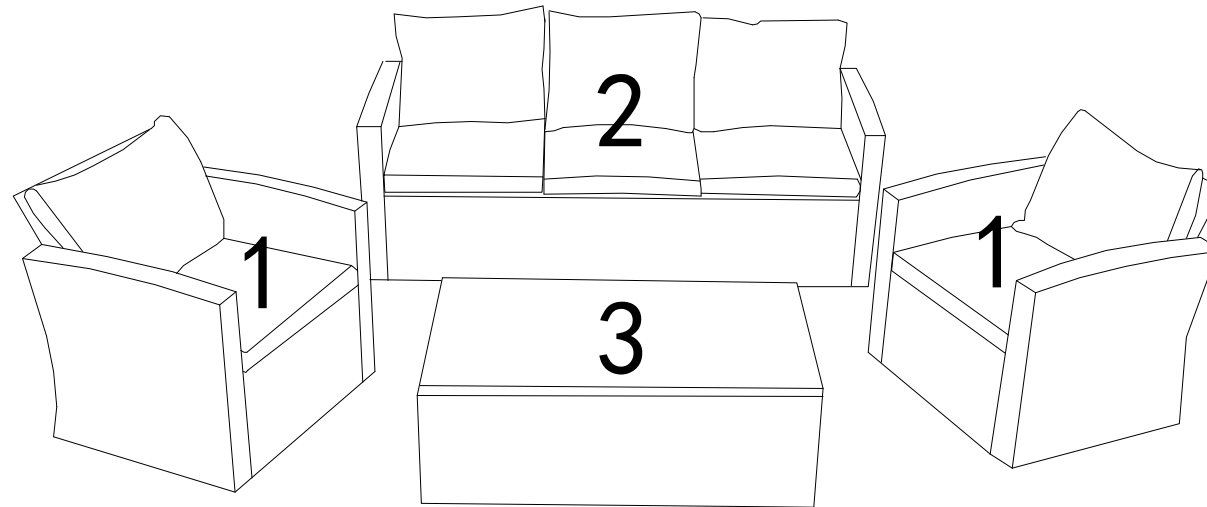









# BAS-2236C Assembly Instructions



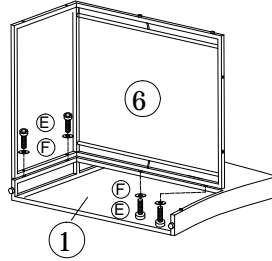
<b>1</b>	<b>SINGLE CHAIR</b>
<b>2</b>	<b>THREE SEATER SOFA</b>
<b>3</b>	<b>TABLE</b>

**NOTE: DO NOT TIGHTEN BOLTS UNTIL ALL PARTS ARE CONNECTED  
YOU MAY FIND CUSHIONS PLACED UNDERNEATH THE TABLE AND STORAGE BOX OR BETWEEN FRAMES!**

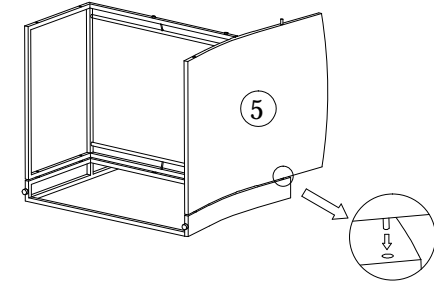
# SINGLE CHAIR

①	RIGHT ARMREST		1PC
②	LEFT ARMREST		1PC
⑤	BACK PART		1PC
⑥	SEAT PART		1PC
Ⓔ	BOLT (M6x30 mm)		12PCS
Ⓕ	WASHER		12PCS
Ⓖ	ALLEN WRENCH		1PC

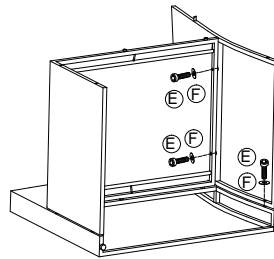
1



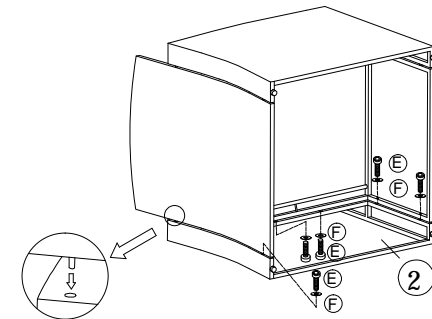
2



3



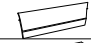
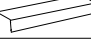
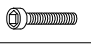




4

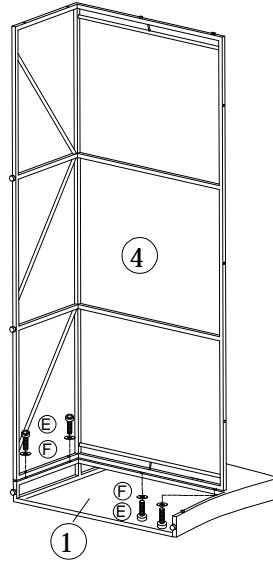


NOTE: DO NOT TIGHTEN BOLTS UNTIL ALL PARTS ARE CONNECTED  
YOU MAY FIND CUSHIONS PLACED UNDERNEATH THE TABLE AND STORAGE BOX OR BETWEEN FRAMES!

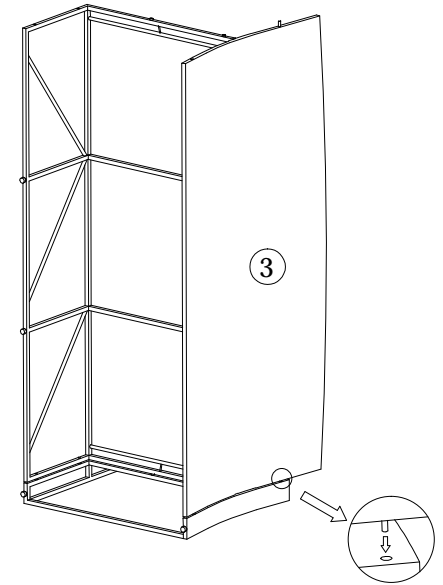
# THREE SEATER SOFA

①	RIGHT ARMREST		1PC
②	LEFT ARMREST		1PC
③	BACK PART		1PC
④	SEAT PART		1PC
Ⓔ	BOLT (M6x30 mm)		13PCS
Ⓕ	WASHER		13PCS
Ⓖ	ALLEN WRENCH		1PC

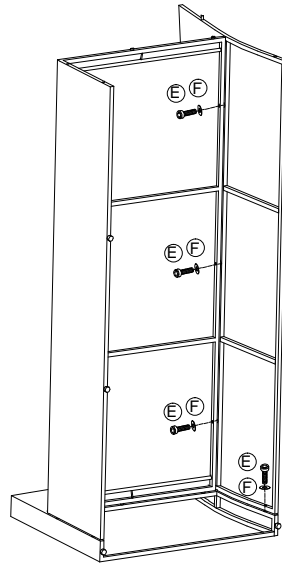
1



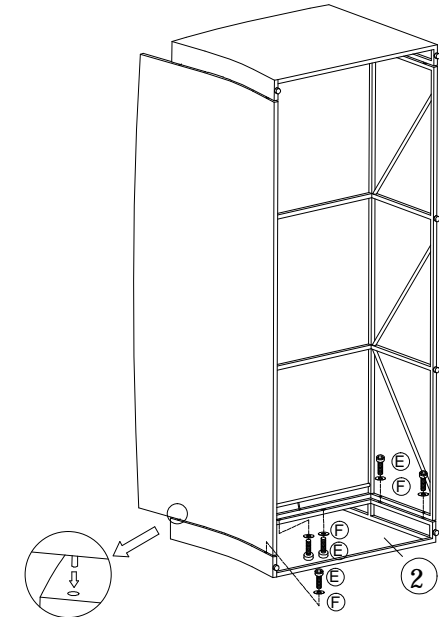
2



3



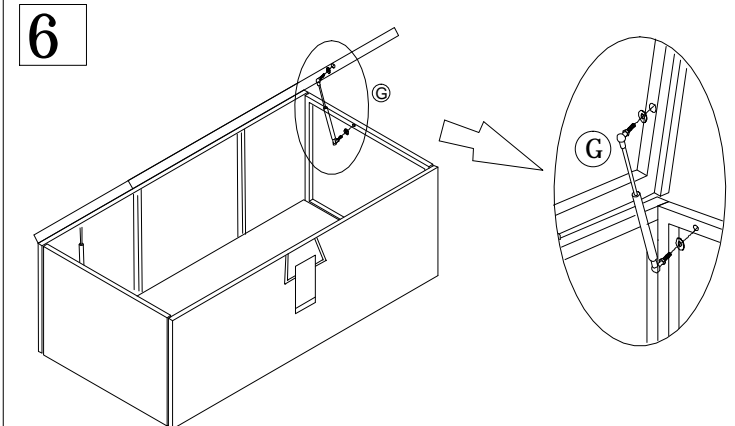
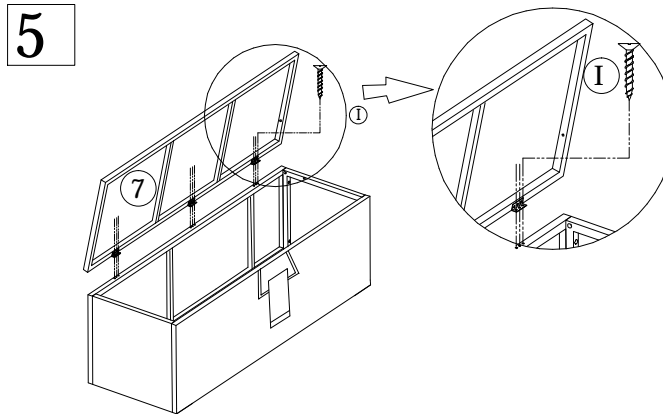
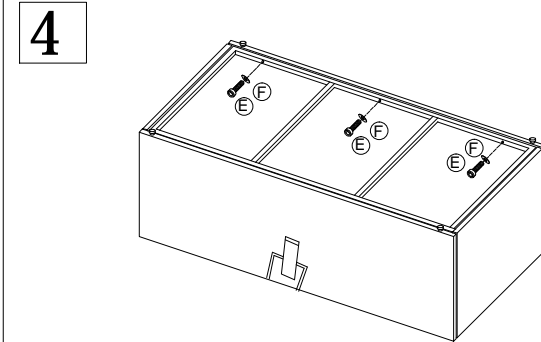
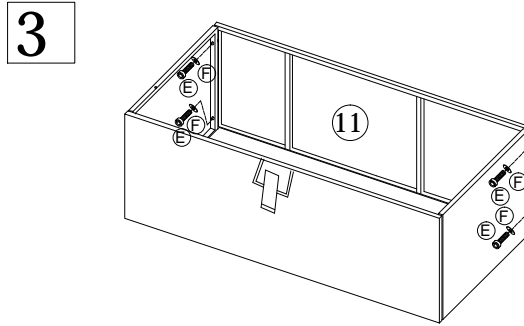
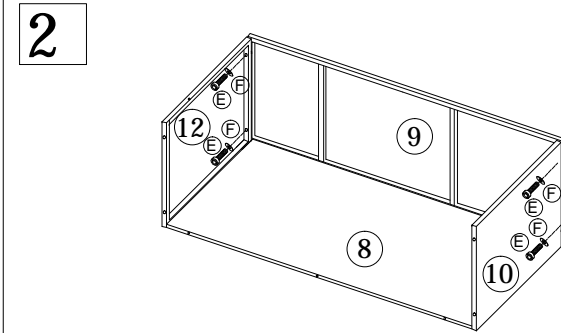
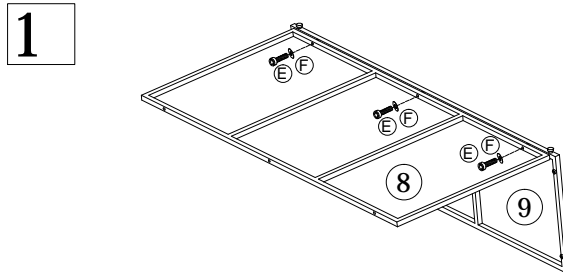
4



NOTE: DO NOT TIGHTEN BOLTS UNTIL ALL PARTS ARE CONNECTED  
YOU MAY FIND CUSHIONS PLACED UNDERNEATH THE TABLE AND STORAGE BOX OR BETWEEN FRAMES!

# TABLE

⑦	TABLE TOP		1PC
⑧	TABLE BASE		1PC
⑨	TABLE SIDE FRONT		1PC
⑩	TABLE SIDE RIGHT		1PC
⑪	TABLE SIDE BACK		1PC
⑫	TABLE SIDE LEFT		1PC
Ⓔ	BOLT (M6x30 mm)		14PCS
Ⓕ	WASHER		14PCS
Ⓖ	ALLEN WRENCH		1PC
Ⓖ	GAS SUPPORT STRUTS		2PCS
Ⓘ	SELF-TAPPING SCREW (Φ3X16 mm)		9PCS
Ⓙ	WRENCH		1PC



**NOTE: DO NOT TIGHTEN BOLTS UNTIL ALL PARTS ARE CONNECTED  
YOU MAY FIND CUSHIONS PLACED UNDERNEATH THE TABLE AND STORAGE BOX OR BETWEEN FRAMES!**