

# ASSEMBLY INSTRUCTION

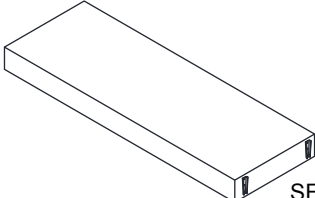
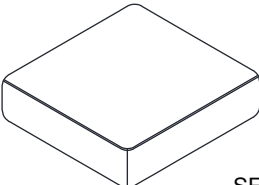
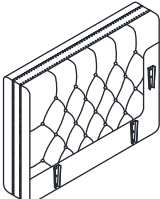
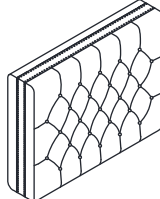
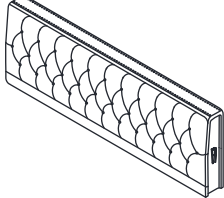
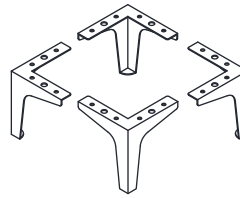
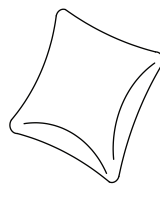
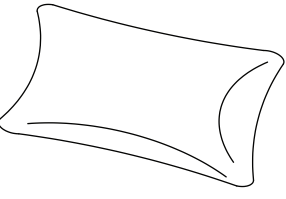
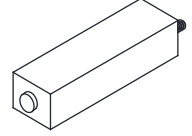
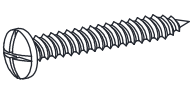
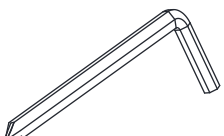
## ASSEMBLY TIPS:

- 1.Remove hardware from box and sort by size.
- 2.Please check to see that all hardware and parts are present prior to start of assembly.
- 3.Please follow attached instruction in the same sequence as numbered to assure fast & easy assembly.

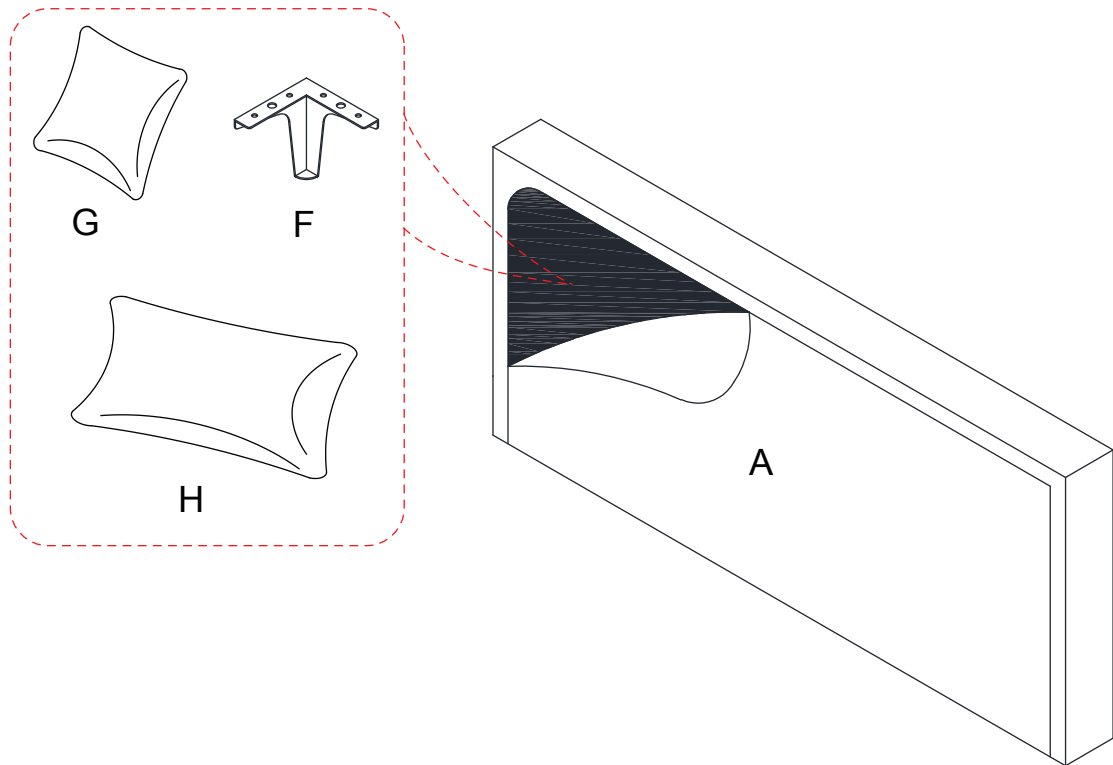
### warning!

- 1.Don't attempt to repair or modify parts that are broken or defective. Please contact the customer service immediately.
- 2.This product is for home use only and not intended for commercial establishment.

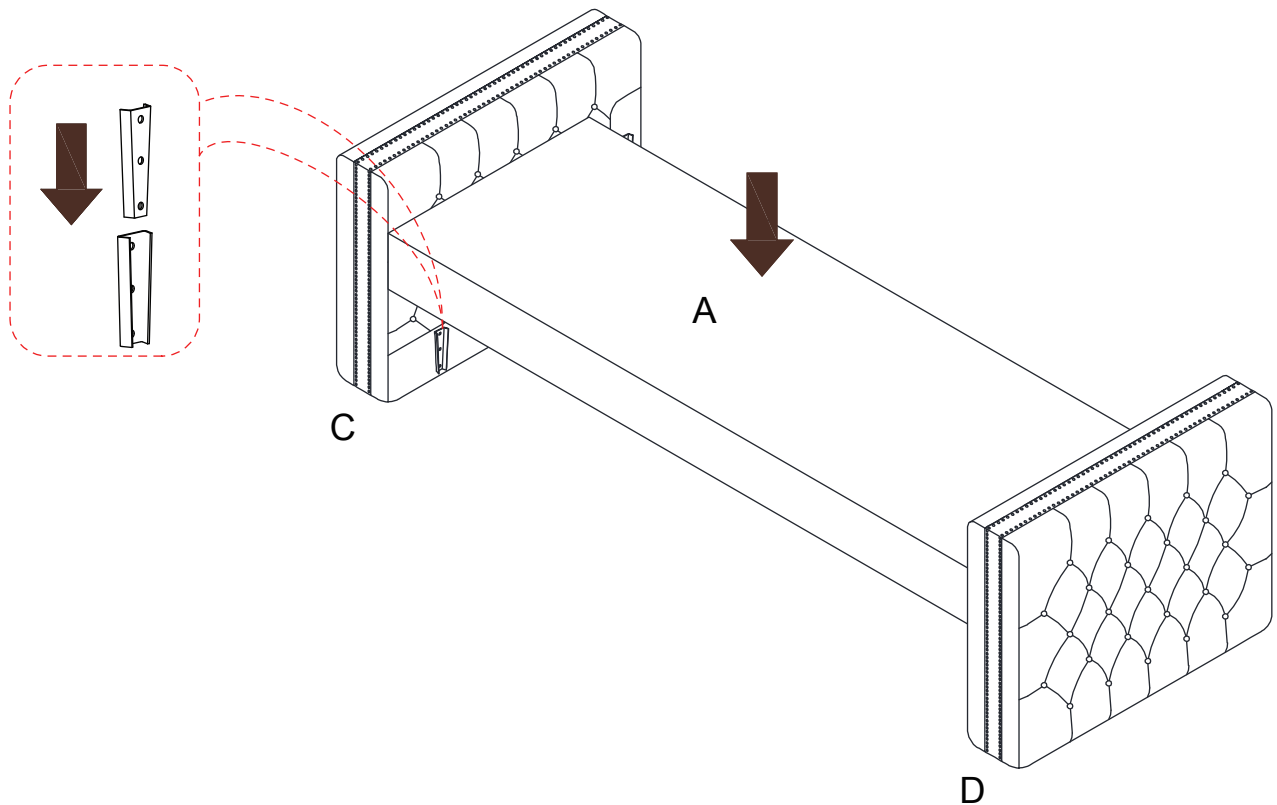
## PARTS IDENTIFICATION

A	 <p>SEAT FRAME</p>	1pc	B	 <p>SEAT CUSHION</p>	3pcs
C	 <p>LIFT ARM</p>	1pc	D	 <p>RIGHT ARM</p>	1pc
E	 <p>BACK FRAME</p>	1pc	F	 <p>LEG</p>	4pcs
G	 <p>PILLOW</p>	2pcs	H	 <p>LONG PILLOW</p>	1pc
I	 <p>LEG</p>	1pc	J	 <p>SCREWS</p>	16pcs
K	 <p>ALLEN KEY</p>	1pc			

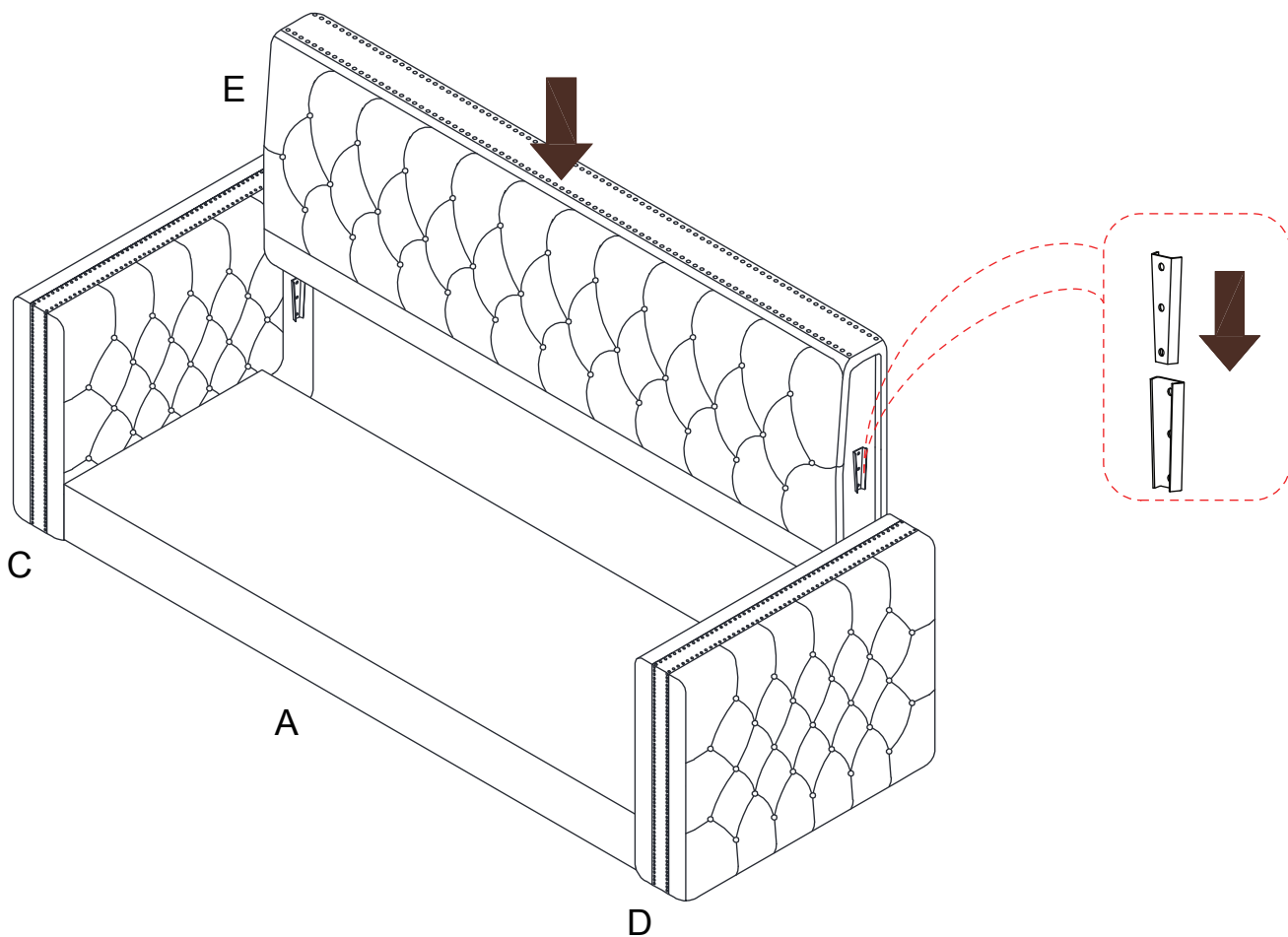
# STEP1:



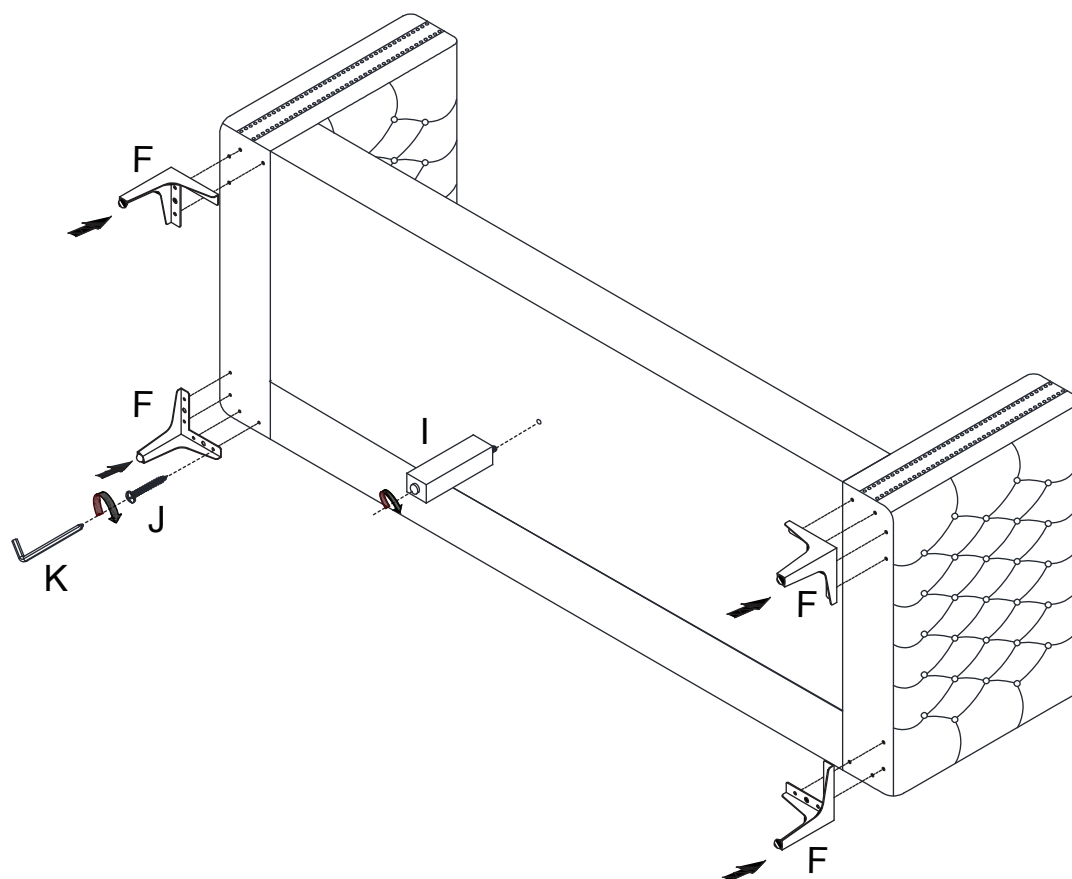
# STEP2:



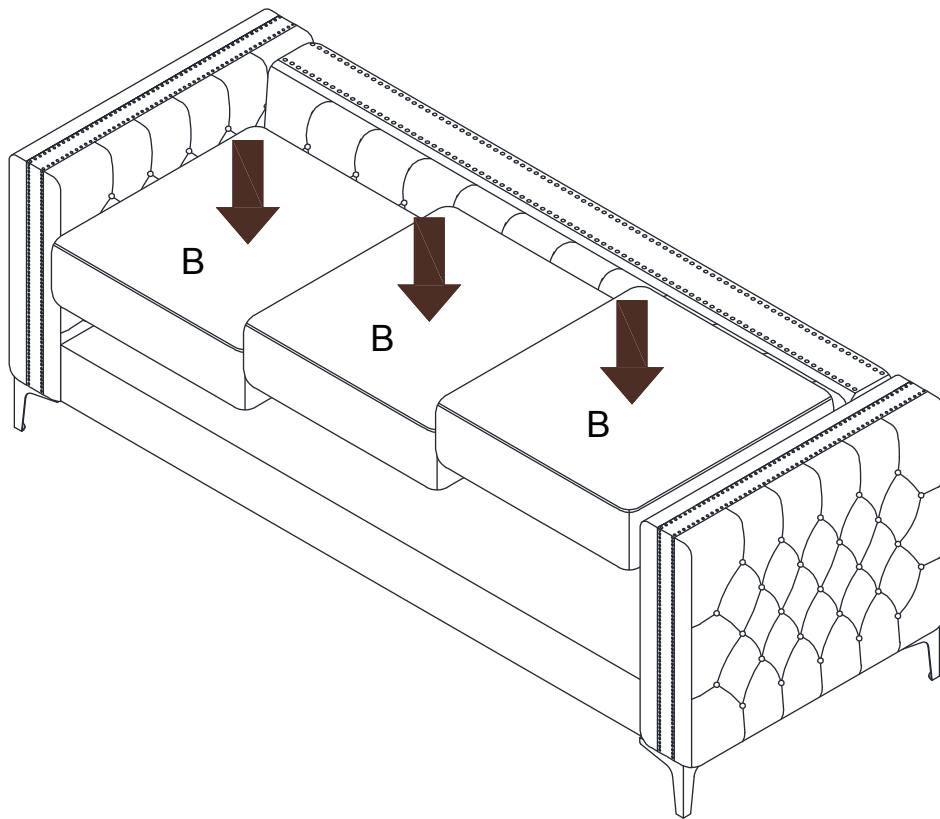
# STEP3:



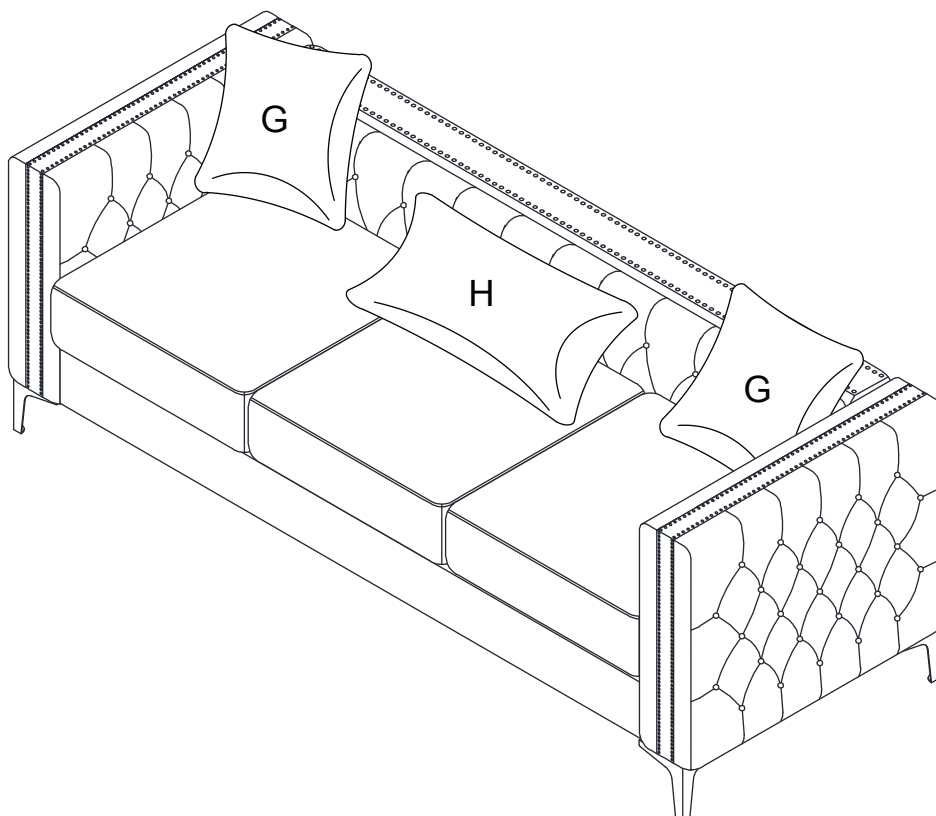
# STEP4:



# STEP5:



# STEP6 :



# ASSEMBLY INSTRUCTION

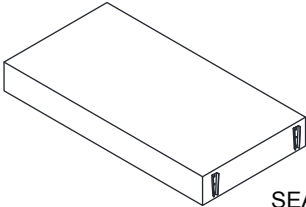
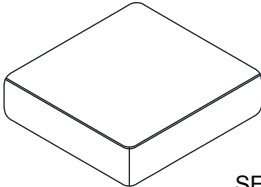
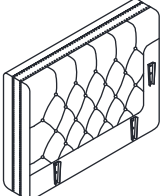
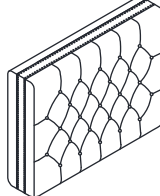
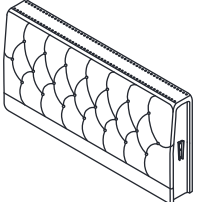
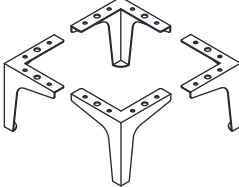
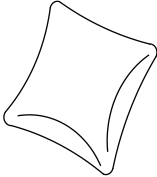
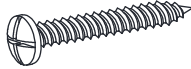
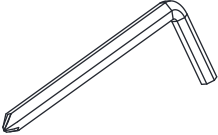
## ASSEMBLY TIPS:

- 1.Remove hardware from box and sort by size.
- 2.Please check to see that all hardware and parts are present prior to start of assembly.
- 3.Please follow attached instruction in the same sequence as numbered to assure fast & easy assembly.

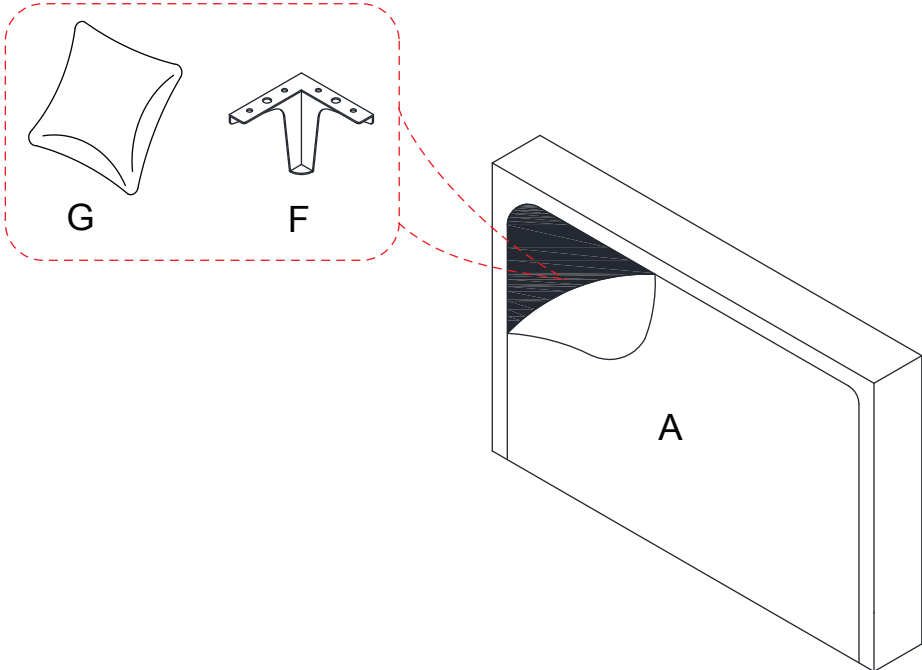
### warning!

- 1.Don't attempt to repair or modify parts that are broken or defective. Please contact the customer service immediately.
- 2.This product is for home use only and not intended for commercial establishment.

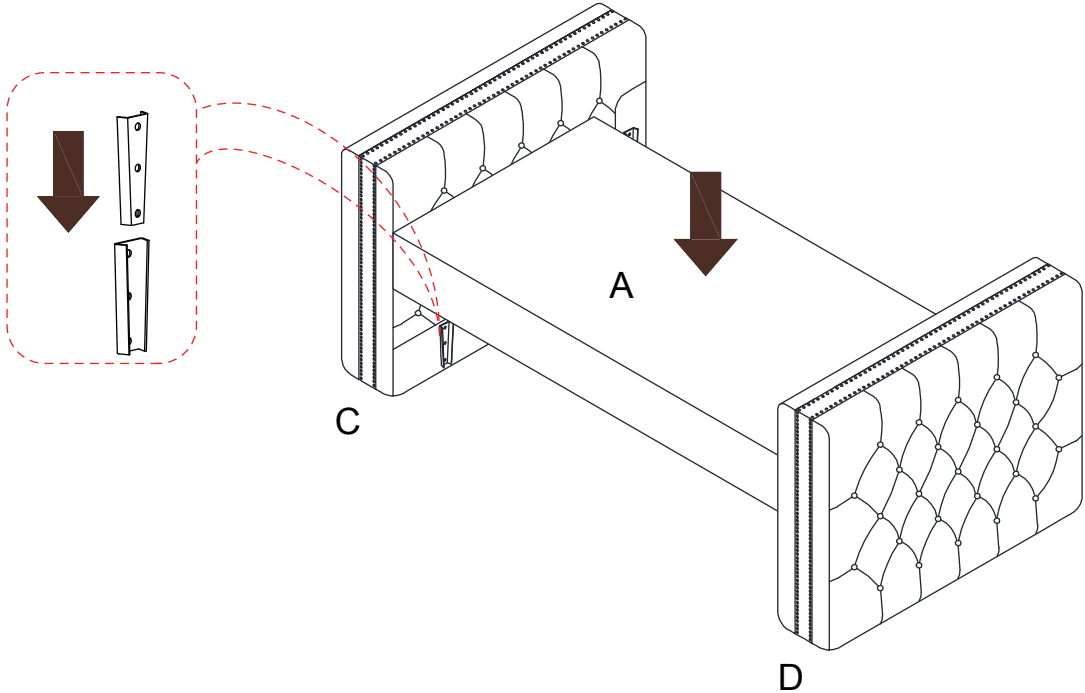
## PARTS IDENTIFICATION

A	 <p>SEAT FRAME</p>	1pc	B	 <p>SEAT CUSHION</p>	2pcs
C	 <p>LIFT ARM</p>	1pc	D	 <p>RIGHT ARM</p>	1pc
E	 <p>BACK FRAME</p>	1pc	F	 <p>LEG</p>	4pcs
G	 <p>PILLOW</p>	2pcs	H	 <p>SCREWS</p>	16pcs
I	 <p>ALLEN KEY</p>	1pc			

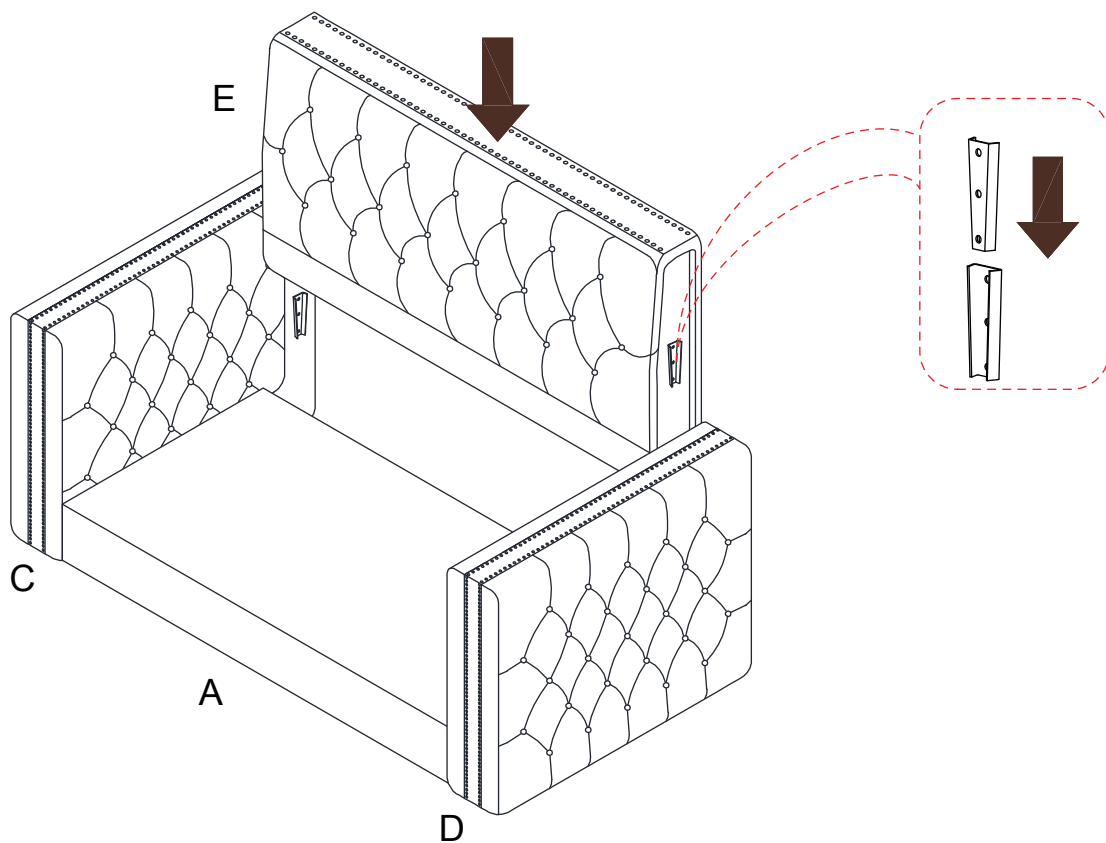
**STEP1:**



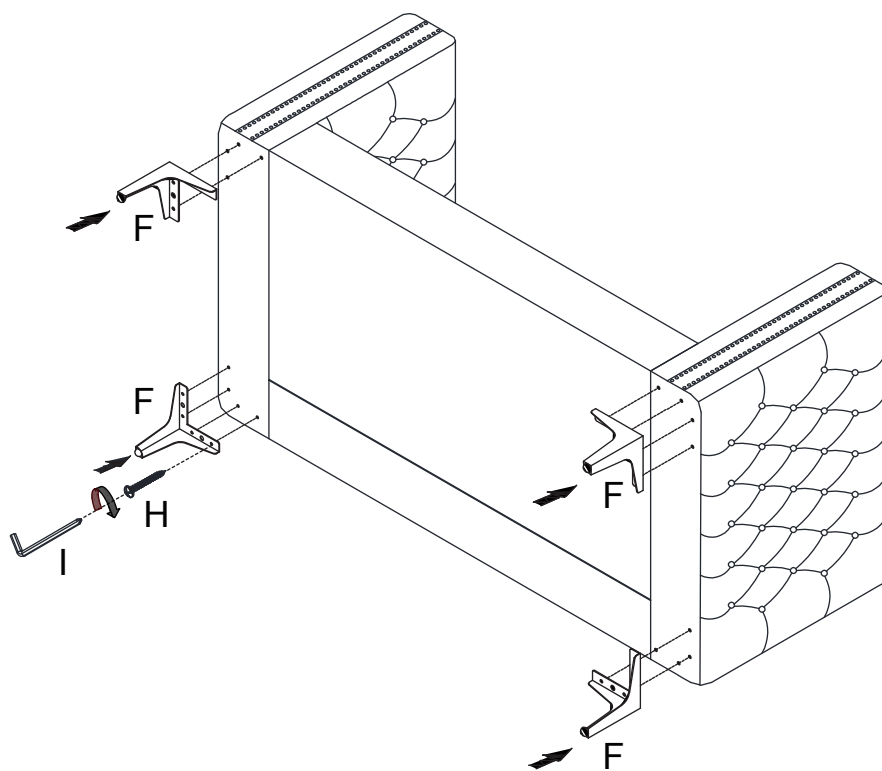
**STEP2:**



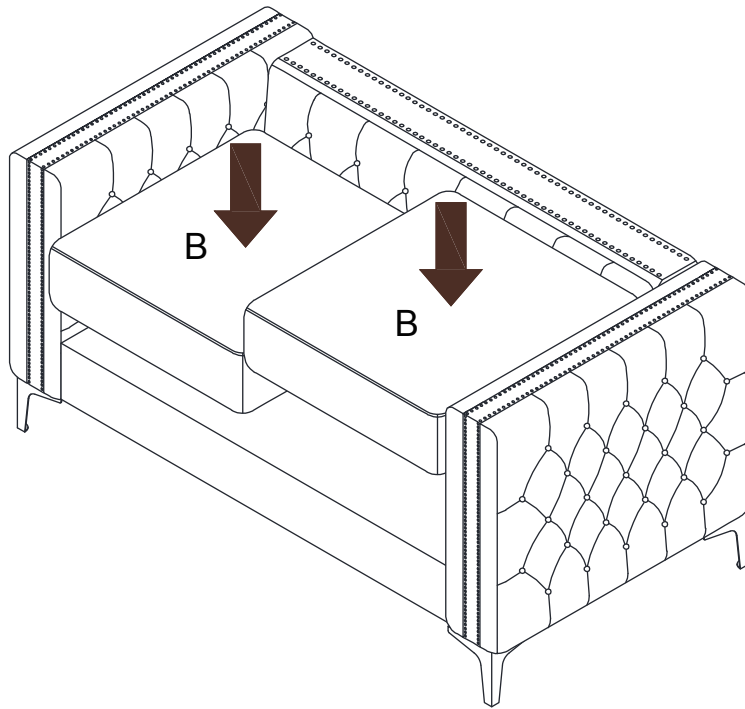
# STEP3:



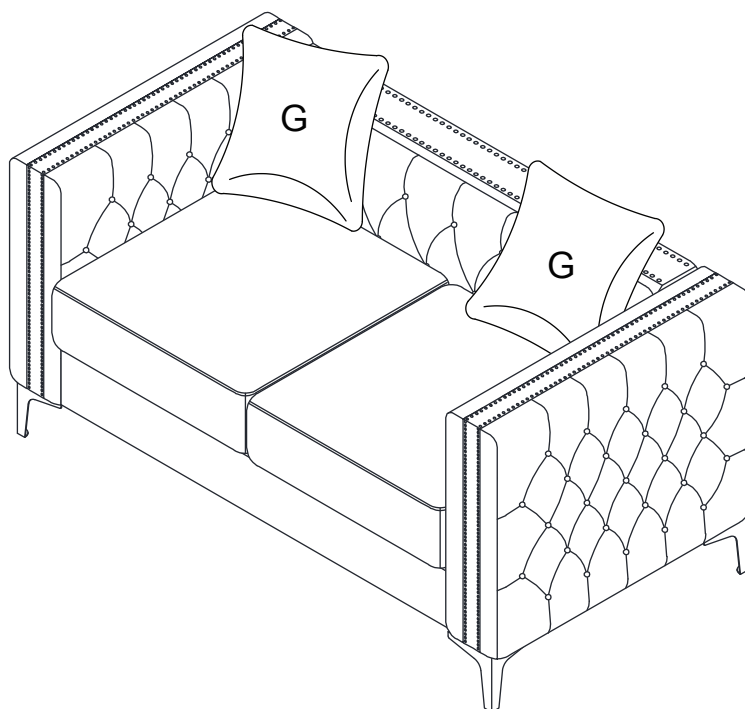
# STEP4:



# STEP5:



# STEP6:



# ASSEMBLY INSTRUCTION

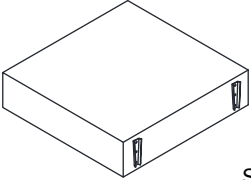
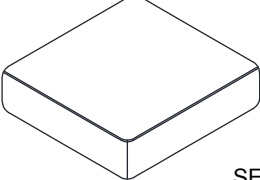
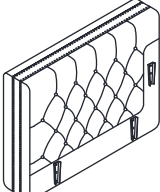
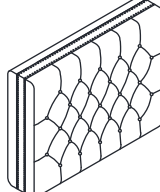
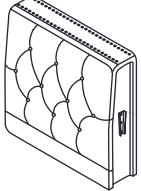
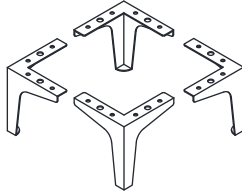
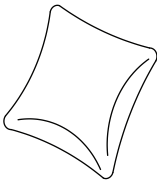
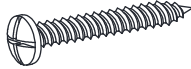
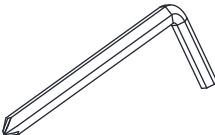
## ASSEMBLY TIPS:

- 1.Remove hardware from box and sort by size.
- 2.Please check to see that all hardware and parts are present prior to start of assembly.
- 3.Please follow attached instruction in the same sequence as numbered to assure fast & easy assembly.

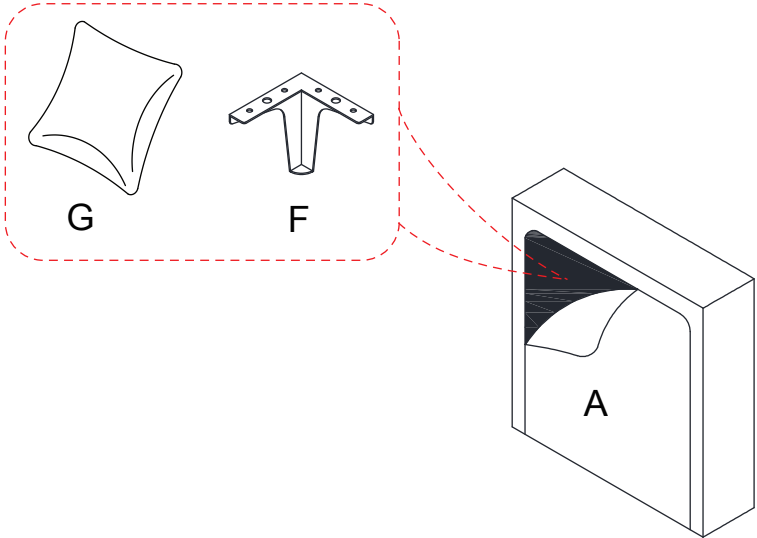
### warning!

- 1.Don't attempt to repair or modify parts that are broken or defective. Please contact the customer service immediately.
- 2.This product is for home use only and not intended for commercial establishment.

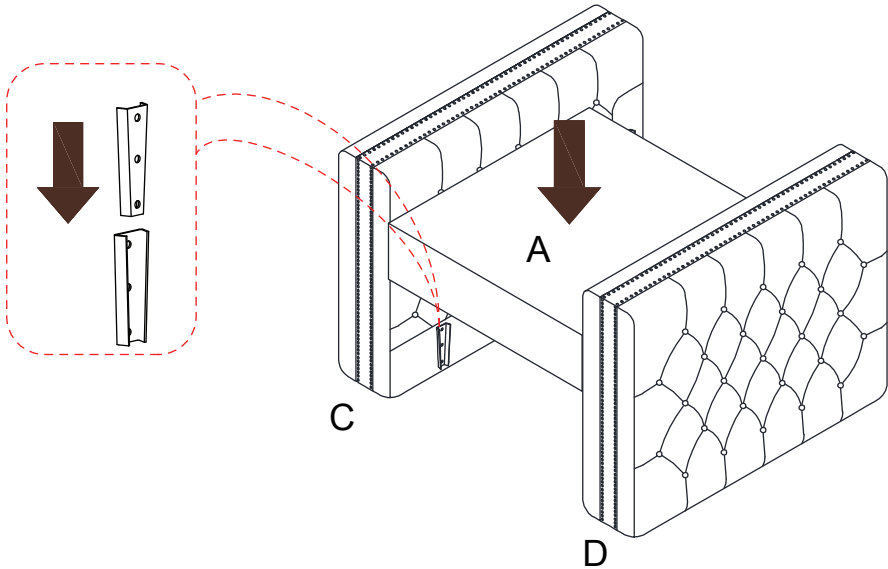
## PARTS IDENTIFICATION

A	 <p>SEAT FRAME</p>	1pc	B	 <p>SEAT CUSHION</p>	1pc
C	 <p>LIFT ARM</p>	1pc	D	 <p>RIGHT ARM</p>	1pc
E	 <p>BACK FRAME</p>	1pc	F	 <p>LEG</p>	4pcs
G	 <p>PILLOW</p>	1pc	H	 <p>SCREWS</p>	16pcs
I	 <p>ALLEN KEY</p>	1pc			

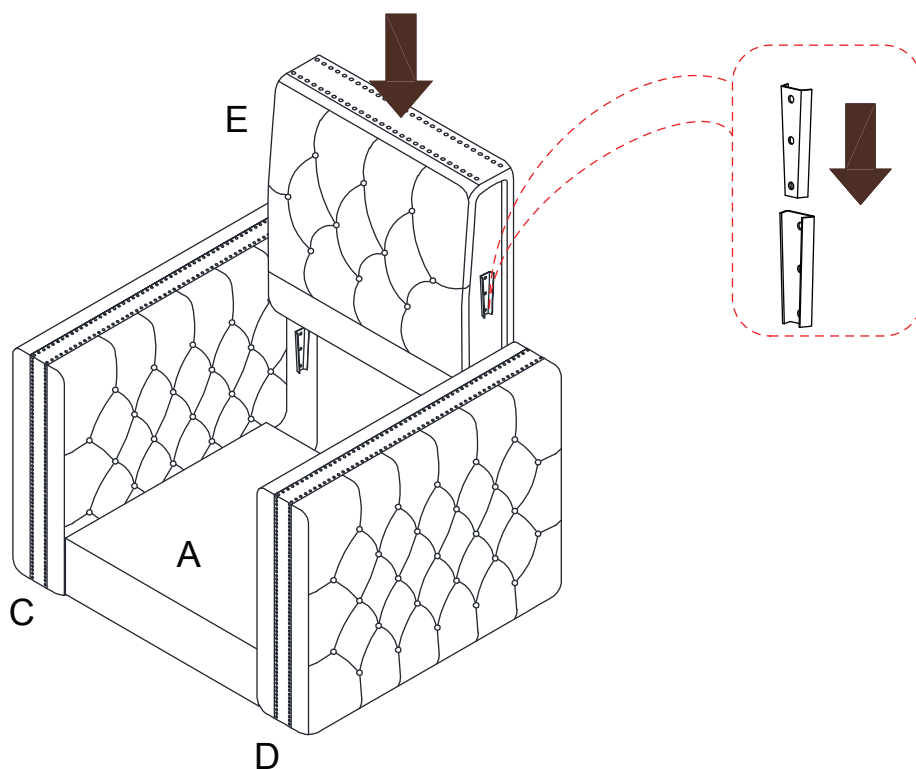
# STEP1:



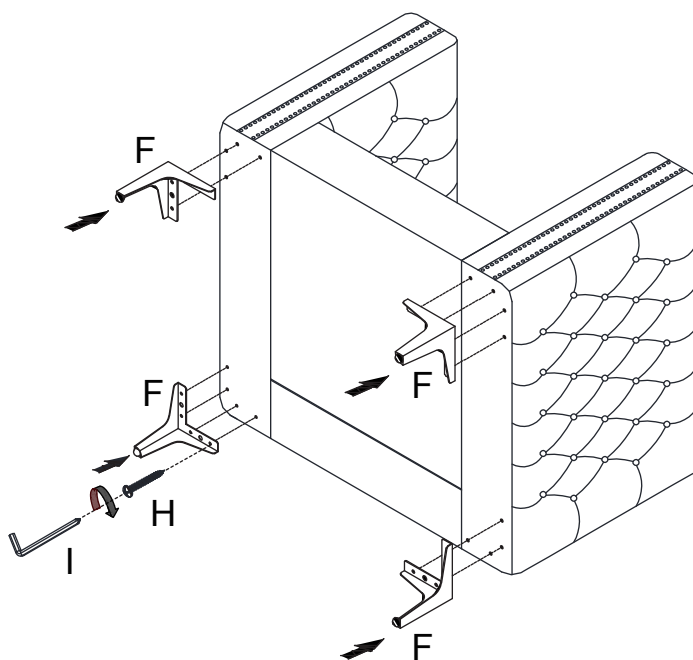
# STEP2:



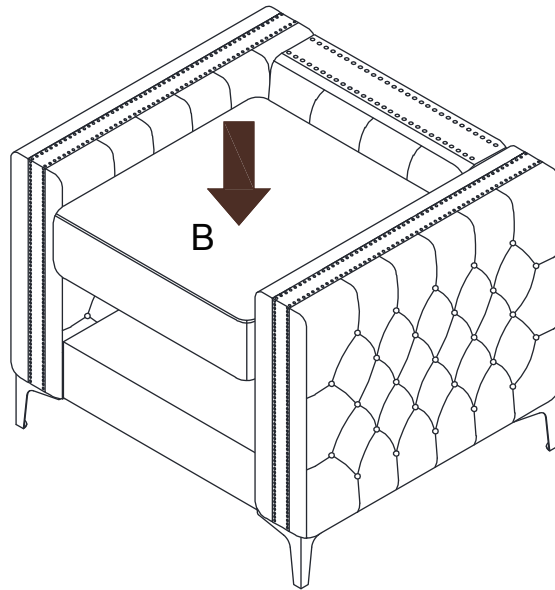
# STEP3:



# STEP4:



# STEP5:



# STEP6:

