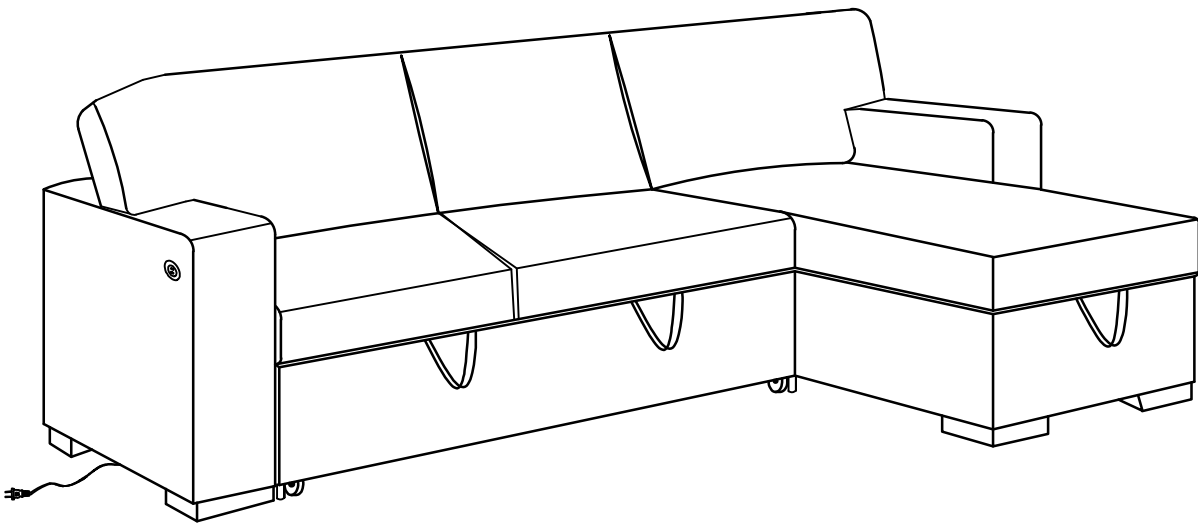
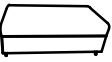

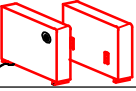





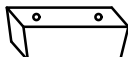


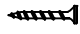
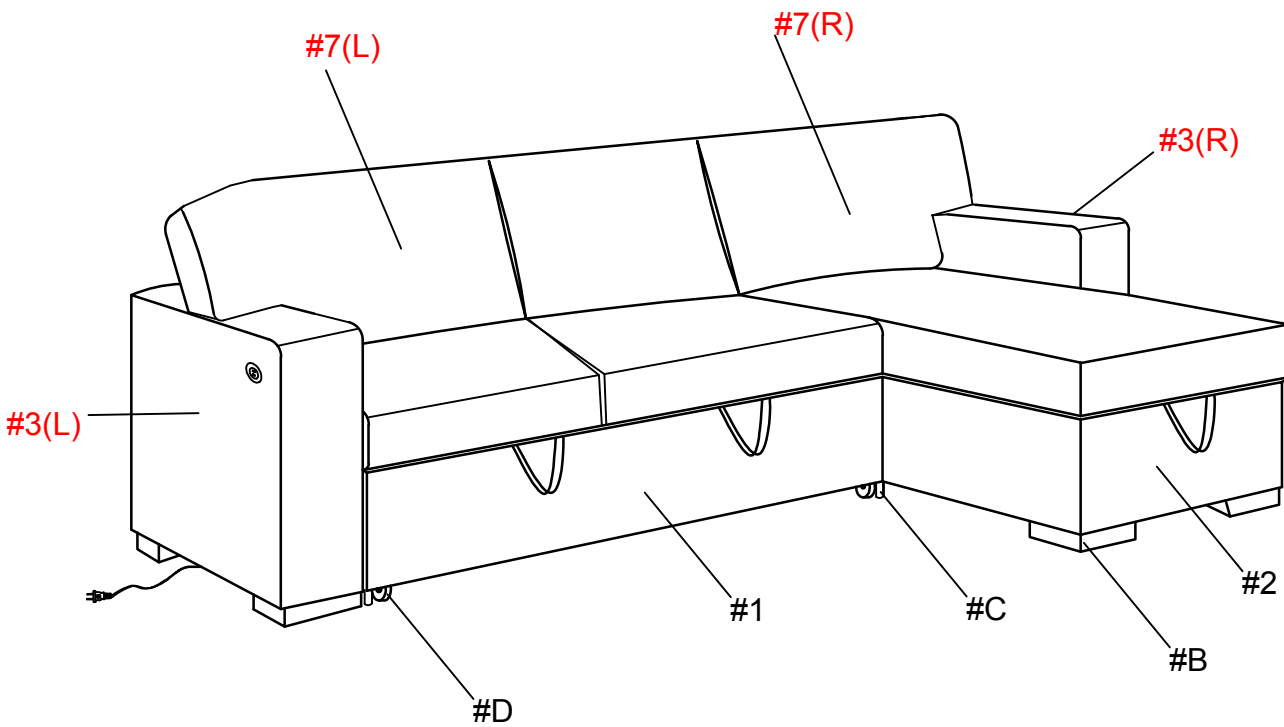


Assembly Instruction

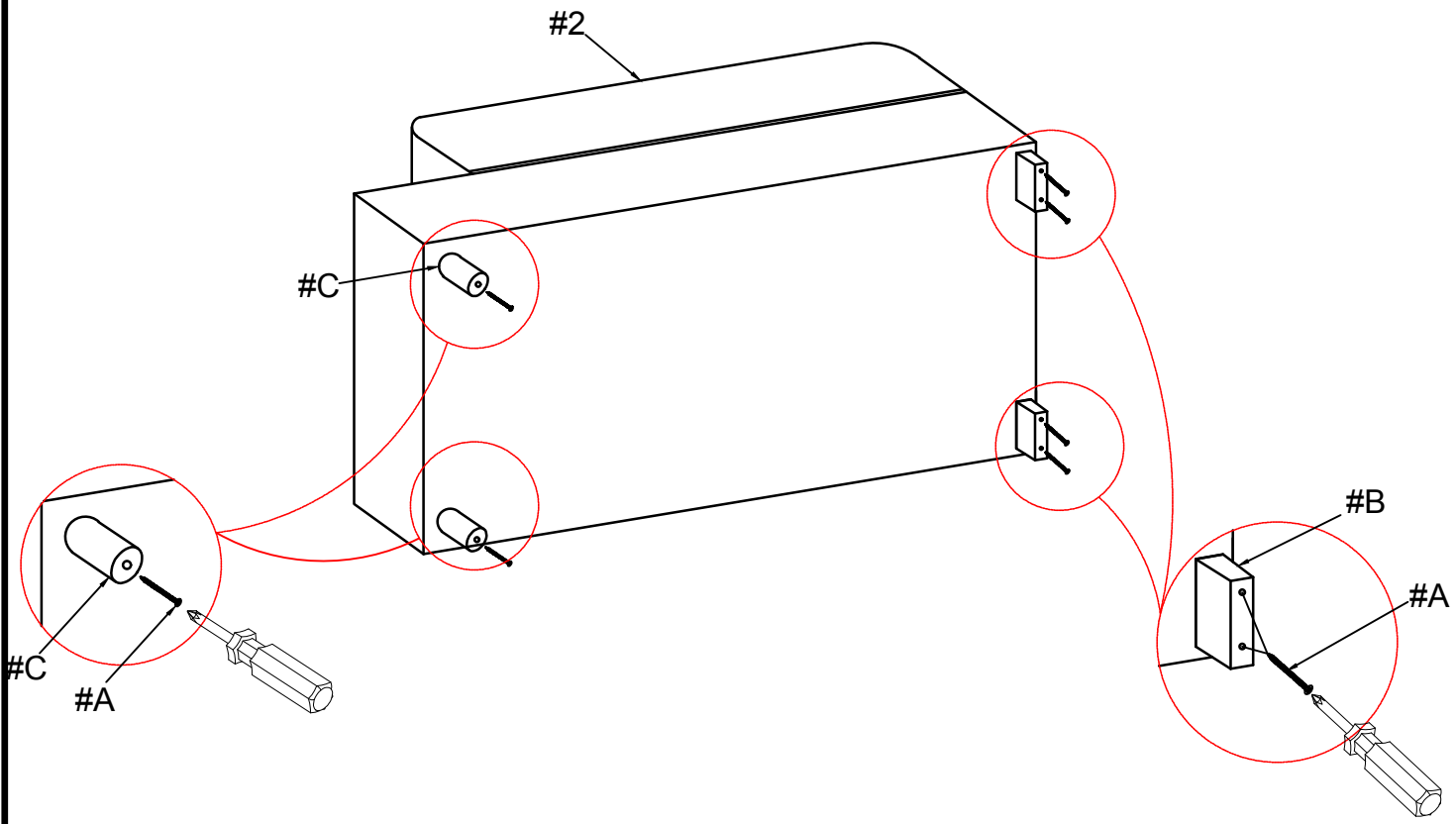


PARTS IDENTIFICATION			
NO	Shape	Specification	Quantity
#1		Love seat	1PC
#2		Chaise	1PC
#3		Arm(L&R)	2PCS
#4		Backrest (Long)	1PC
#5		Backrest (Short)	1PC
#6		Cushion	1PC
#7		Cushion(L&R)	1SET

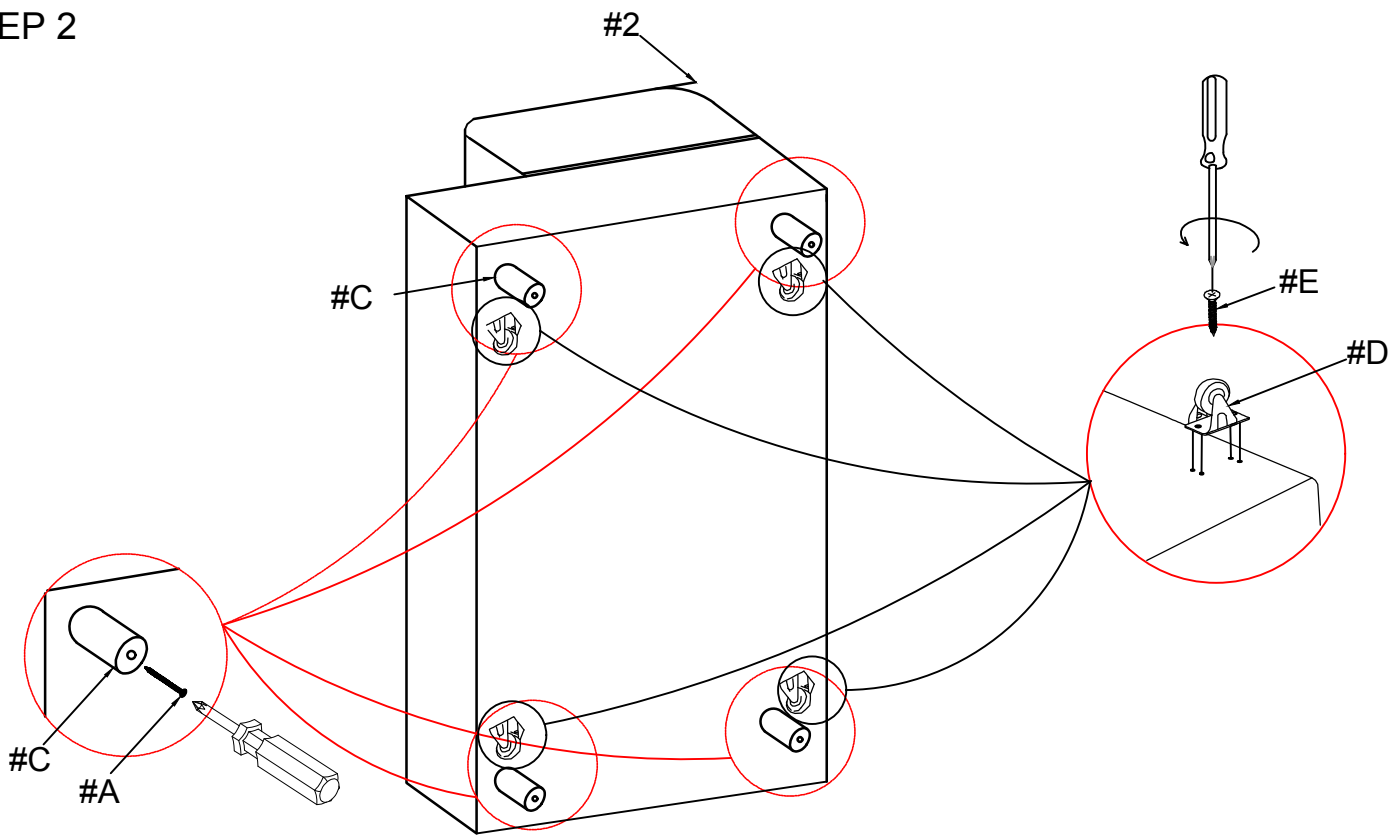
HARDWARE LIST			
NO	Shape	Specification	Quantity
#A		Screw M8 x 45mm	10PCS
#B		Legs	2PCS
#C		Legs	6PCS
#D		Roller	4PCS
#E		Screw #8X25mm	8PCS



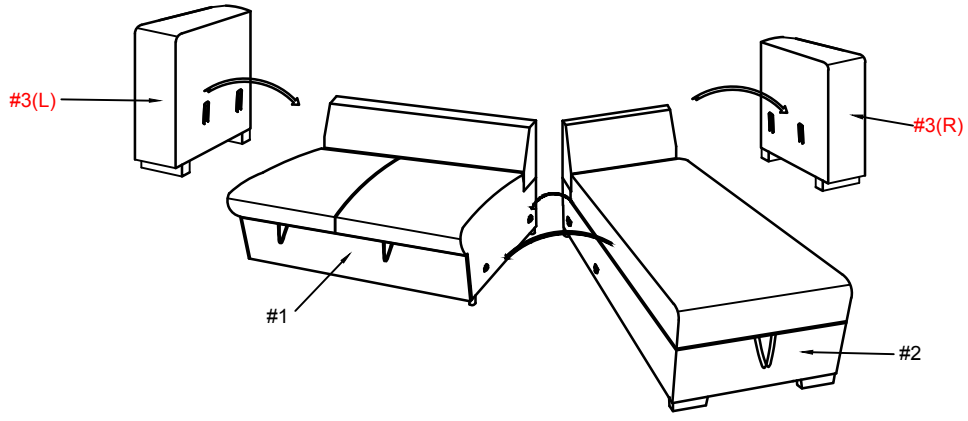
STEP 1



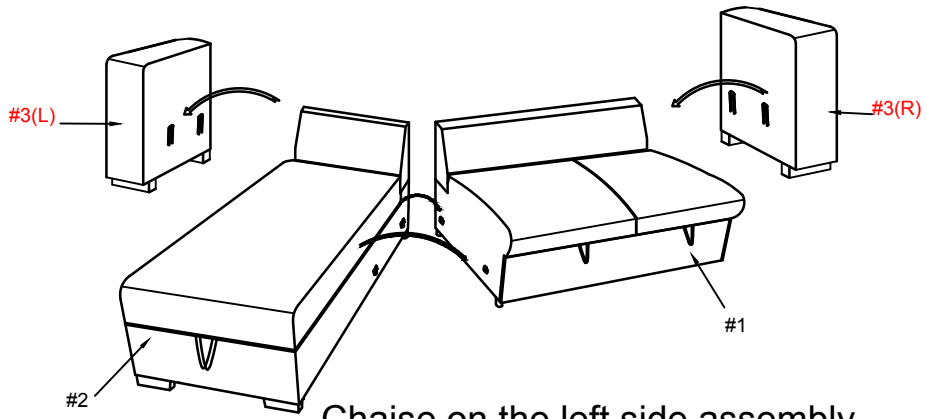
STEP 2



STEP 3

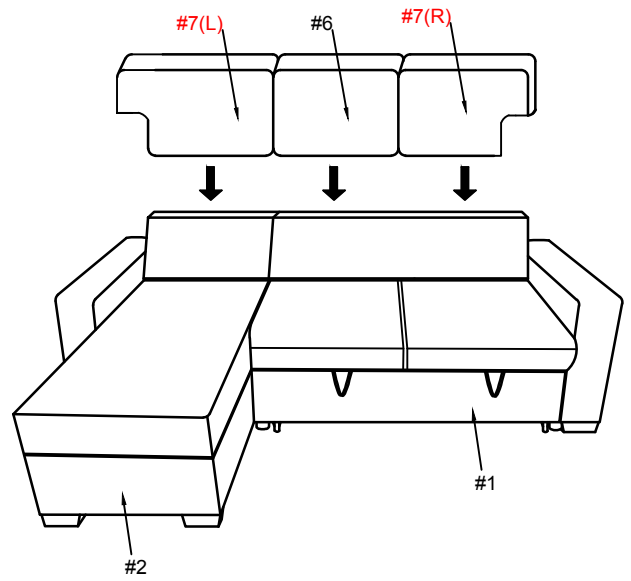
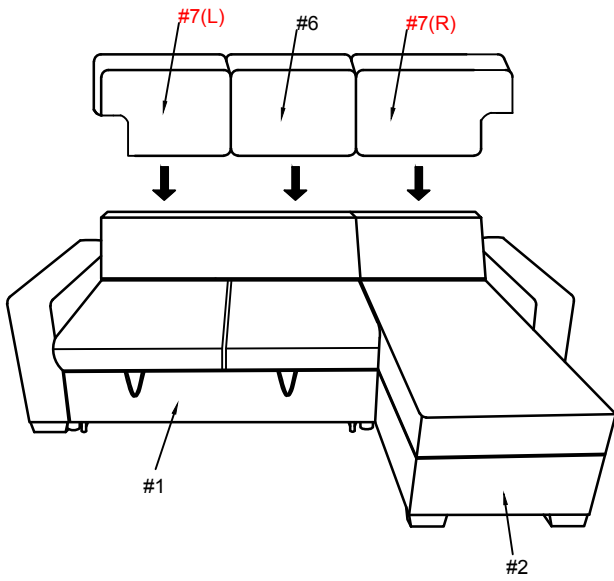


Chaise on the right side assembly

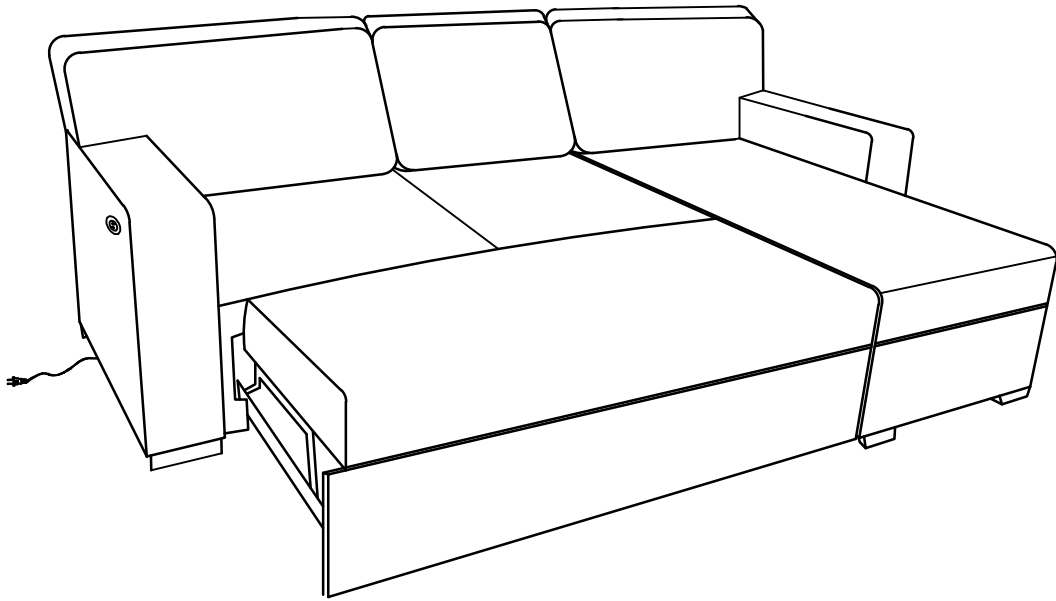


Chaise on the left side assembly

STEP 4



STEP 5



STEP 6

