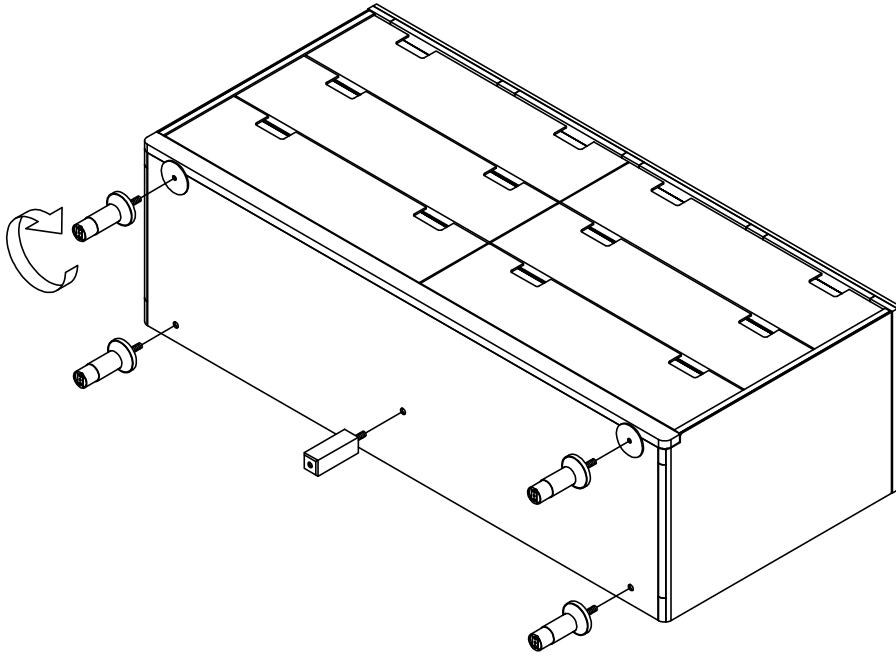


Assembly Instruction

STEP 1



FINISH

