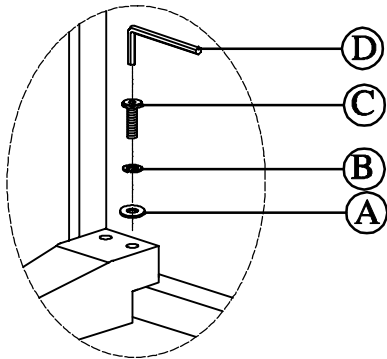


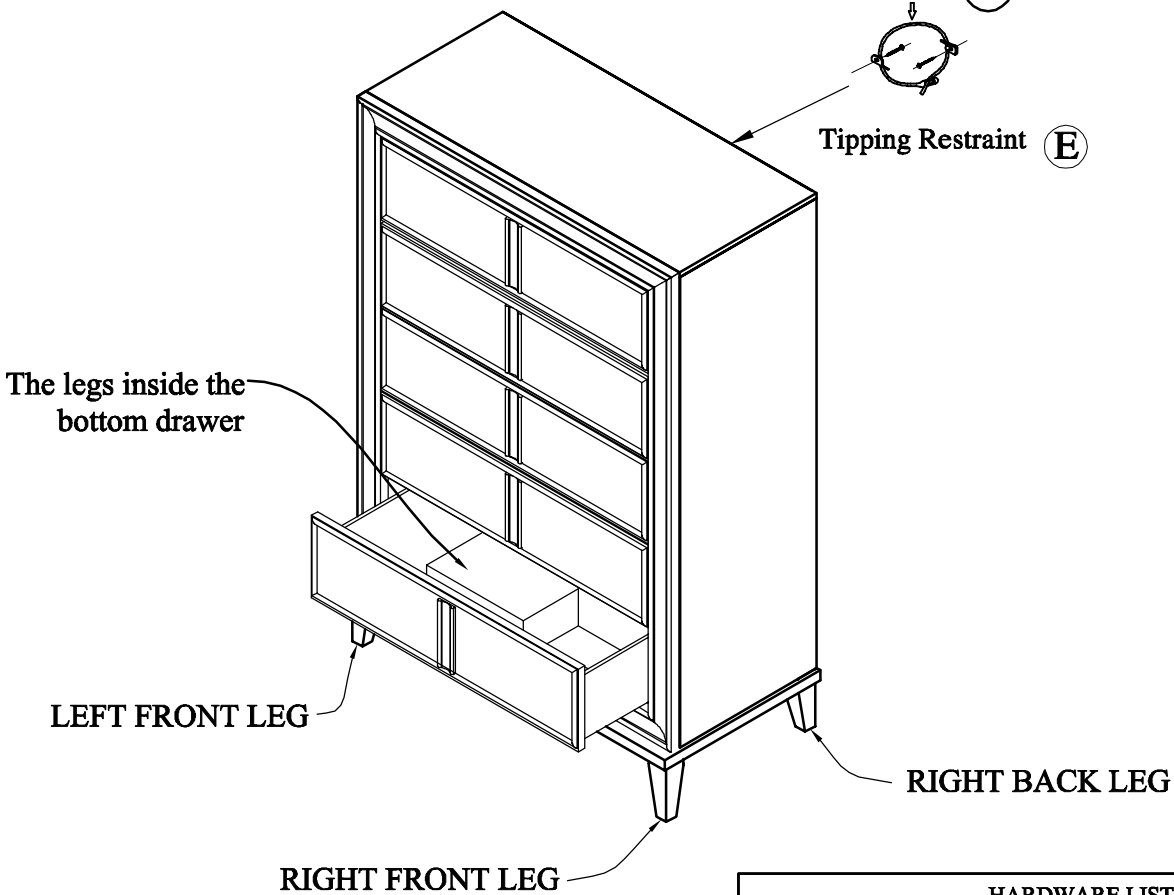
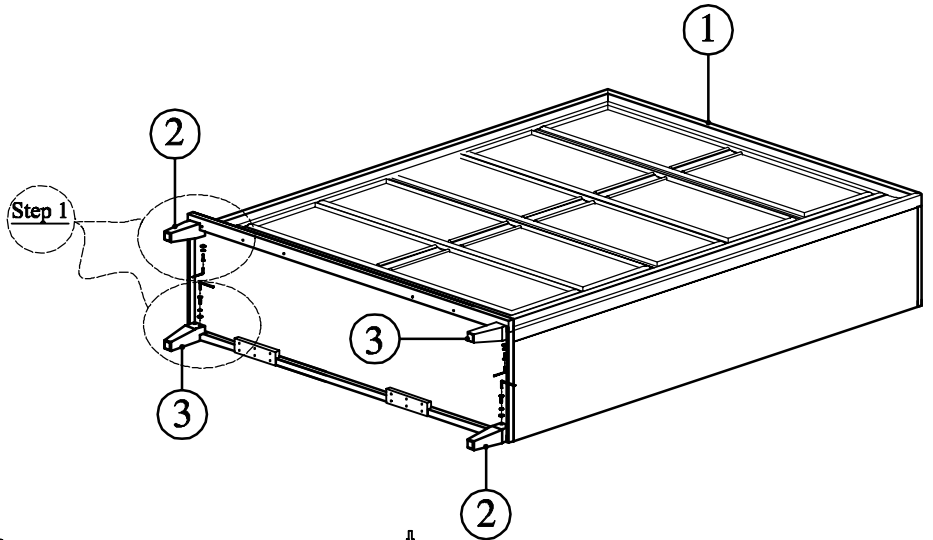
ASSEMBLY INSTRUCTION

DESCRIPTION: CHEST

ITEM : #8171 - 05



Step 1



PART LIST

No.	Part description	Q'ty
1	CHEST	1
2	CASEGOOD LEFT FRONT LEG & RIGHT BACK LEG	2
3	CASEGOOD RIGHT FRONT LEG & LEFT BACK LEG	2

HARDWARE LIST

No.	Hardware Description	Q'ty
A	Flat washer (Ø1/4" x 3/4")	8
B	Lock Washer (Ø1/4" x 3/8)	8
C	Bolt (Ø1/4" x 2")	8
D	Allen key (4 x 59mm)	1
E	Tipping Restraint	1