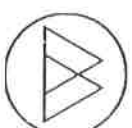


FLYNN # 966-01Q-HB / 966-W-01Q-HB QUEEN HB / WHITE QUEEN HB
 FLYNN # 966-01Q-HB / 966-W-01Q-HB QUEEN FB / WHITE QUEEN FB
 FLYNN # 966-01Q-RS / 966-W-01Q-RS QUEEN RAILS / WHITE QUEEN RAILS

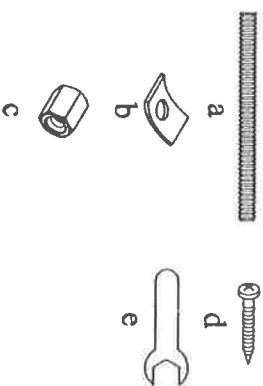


ALPINE
 FURNITURE

Assembly Instruction

A. Components :

- | | |
|--------------------|-----|
| 1. Headboard Panel | 1 x |
| 2. Footboard Panel | 1 x |
| 3. Bed Rail | 2 x |
| 4. Slat | 4 x |
| 5. Slat Support | 4 x |



B. Hardware :

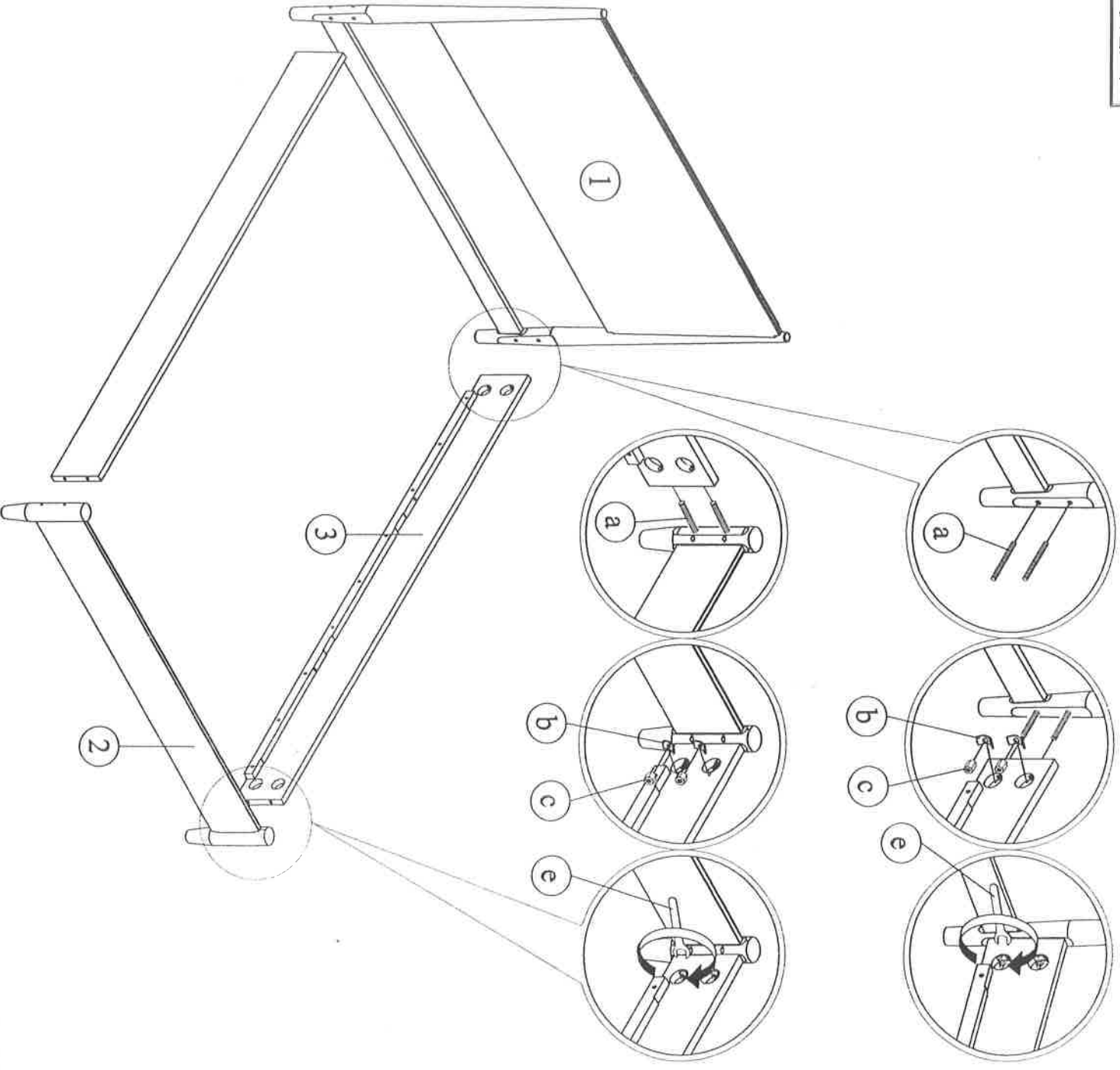
- | | |
|------------------|-----|
| a. Stud Bolt | 8 x |
| b. Square Washer | 8 x |
| c. Hex Nut | 8 x |
| d. Screw | 8 x |
| e. Wrench | 1 x |

C. Tool Required :

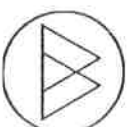
1. Screw Driver = (not included)



STEP 1

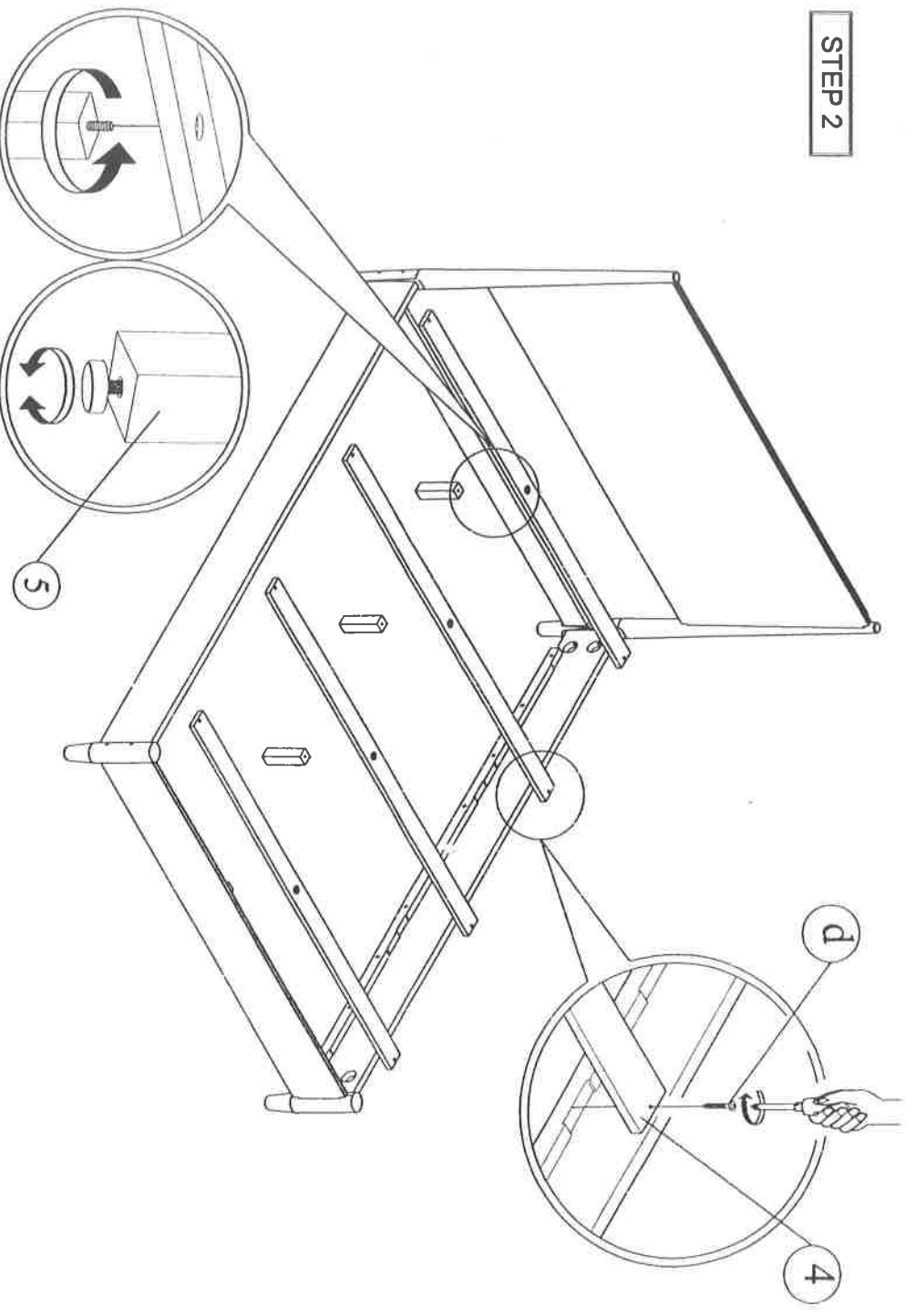


FLYNN # 966-01Q-HB / 966-W-01Q-HB QUEEN HB / WHITE QUEEN HB
FLYNN # 966-01Q-HB / 966-W-01Q-HB QUEEN FB / WHITE QUEEN FB
FLYNN # 966-01Q-RS / 966-W-01Q-RS QUEEN RAILS / WHITE QUEEN RAILS



ALPINE
FURNITURE

STEP 2



STEP 3

