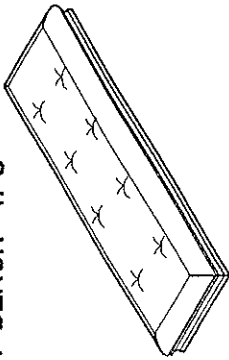


**ASSEMBLY INSTRUCTIONS**  
6084 - 03 Truline Bench

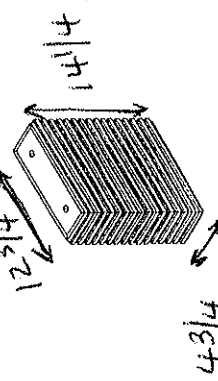
**DIMENSION**  
W58" x D17" x H19 - 1/3"

**PART LIST**

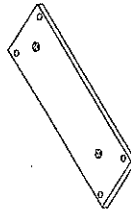
(A) TOP BENCH - 1PC



(B) LEGS BENCH - 2 PCS

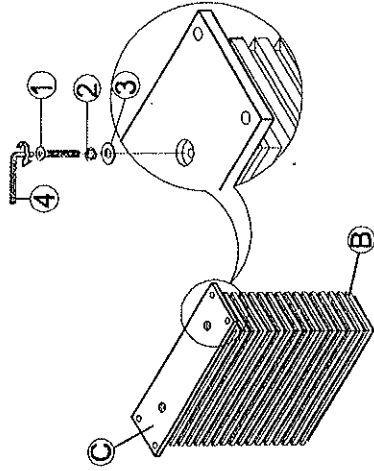


(C) MOUNTING BASE - 2 PCS

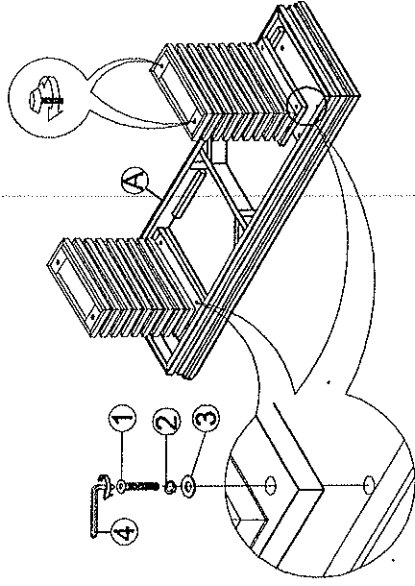


**DO NOT FULLY TIGHTEN SCREWS AND NUTS UNTIL THE ENTIRE ITEM IS COMPLETELY ASSEMBLED**

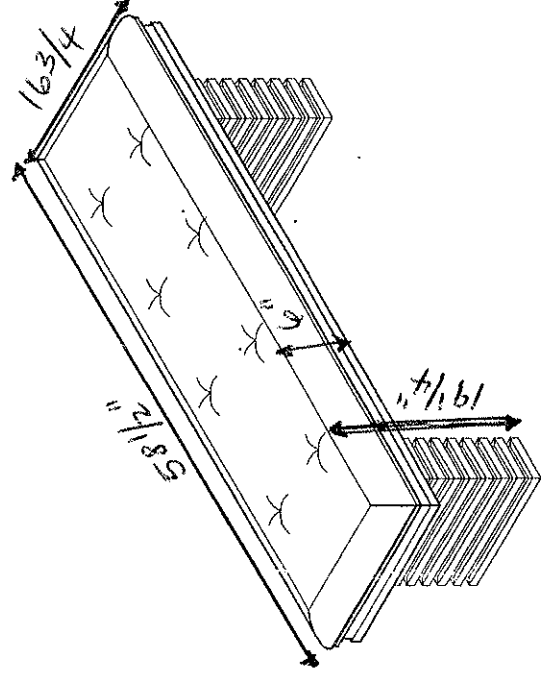
STEP 1







STEP 2



COMPLETE.



**HARDWARE LIST**

Bolt 	Spring Washer 
(1) Ø1/4" x 40 mm (12pcs)	(2) Ø5/16" x 13 mm (12pcs)
Flat Washer 	Allen Key 
(3) Ø5/16" x 19 mm (12pcs)	(4) 4 mm (1pc)