

5200 - 07CK/EK - HB

5200 - 07CK/EK - FB

5200 - 07CK/EK - RS

CAL.KG / EAST.KG HEADBOARD

CAL.KG / EAST.KG FOOTBOARD

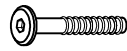
CAL.KG / EAST.KG RAILS

5200 SERIES

Assembly Instruction

A . Components :

- | | |
|-----------------------|-----|
| 1. Headboard Panel | 1 x |
| 2. Footboard Panel | 1 x |
| 3. HB Right Leg | 1 x |
| 4. HB Left Leg | 1 x |
| 5. Stretcher | 1 x |
| 6. Bed Rail | 2 x |
| 7. Slat | 4 x |
| 8. Slat Support Short | 8 x |
| 9. Slat Support Long | 8 x |



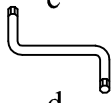
a



b



c



d



e



f



g

B . Hardware :

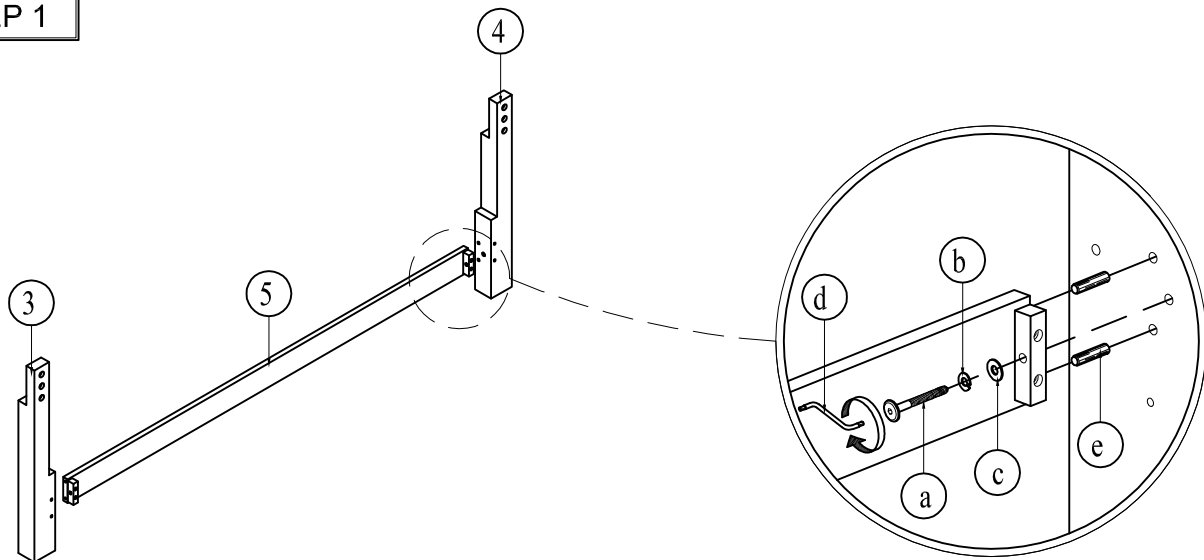
- | | |
|----------------|-----|
| a. Allen Bolt | 8 x |
| b. Lock Washer | 8 x |
| c. Flat Washer | 8 x |
| d. Allen Key Z | 1 x |
| e. Dowel | 4 x |
| f. Screw | 8 x |
| g. Allen Key L | 1 x |

C . Tool Required :

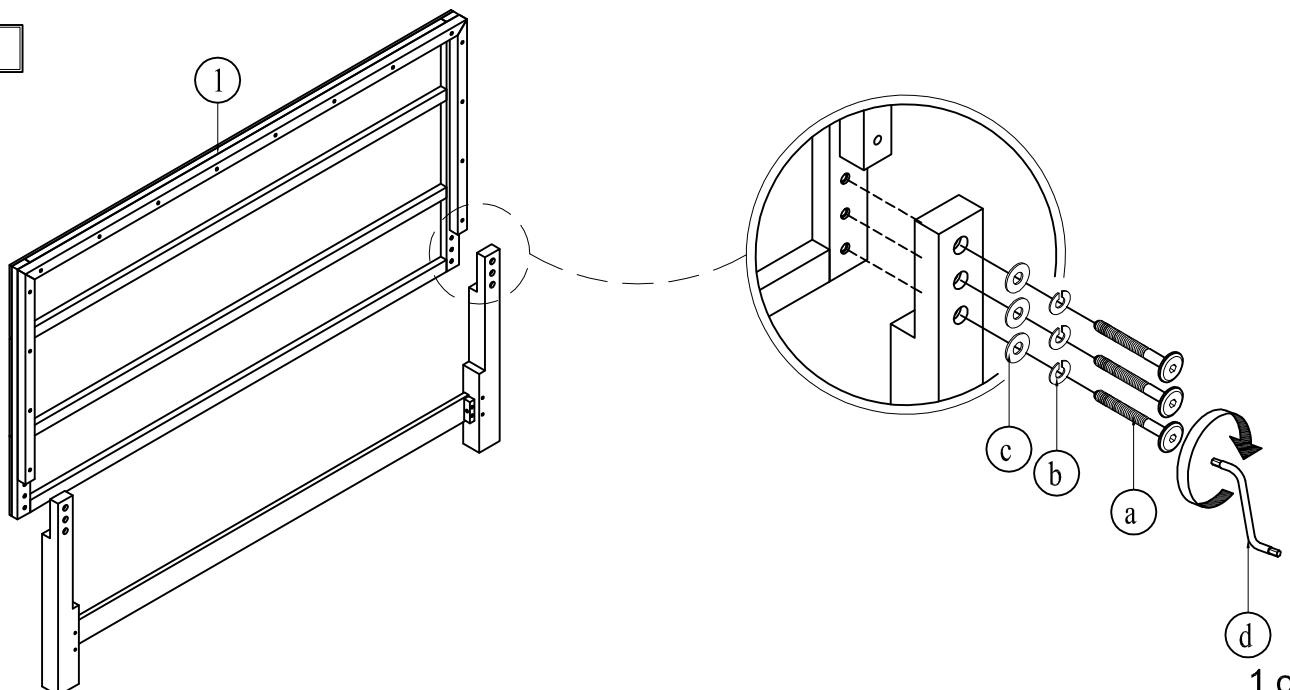
1. Screw Driver = (not included)



STEP 1



STEP 2



5200 - 07CK/EK - HB

5200 - 07CK/EK - FB

5200 - 07CK/EK - RS

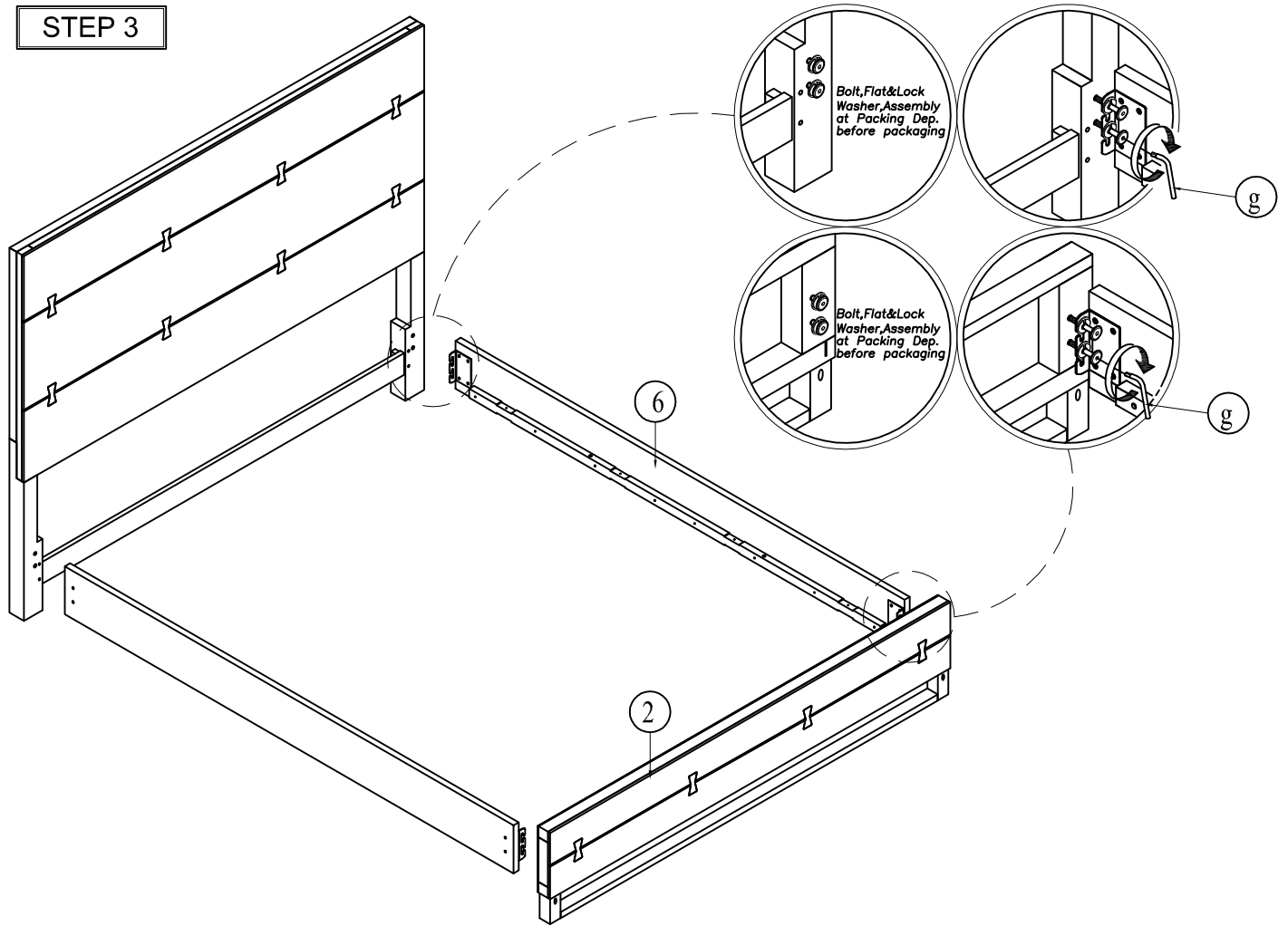
CAL.KG / EAST.KG HEADBOARD

CAL.KG / EAST.KG FOOTBOARD

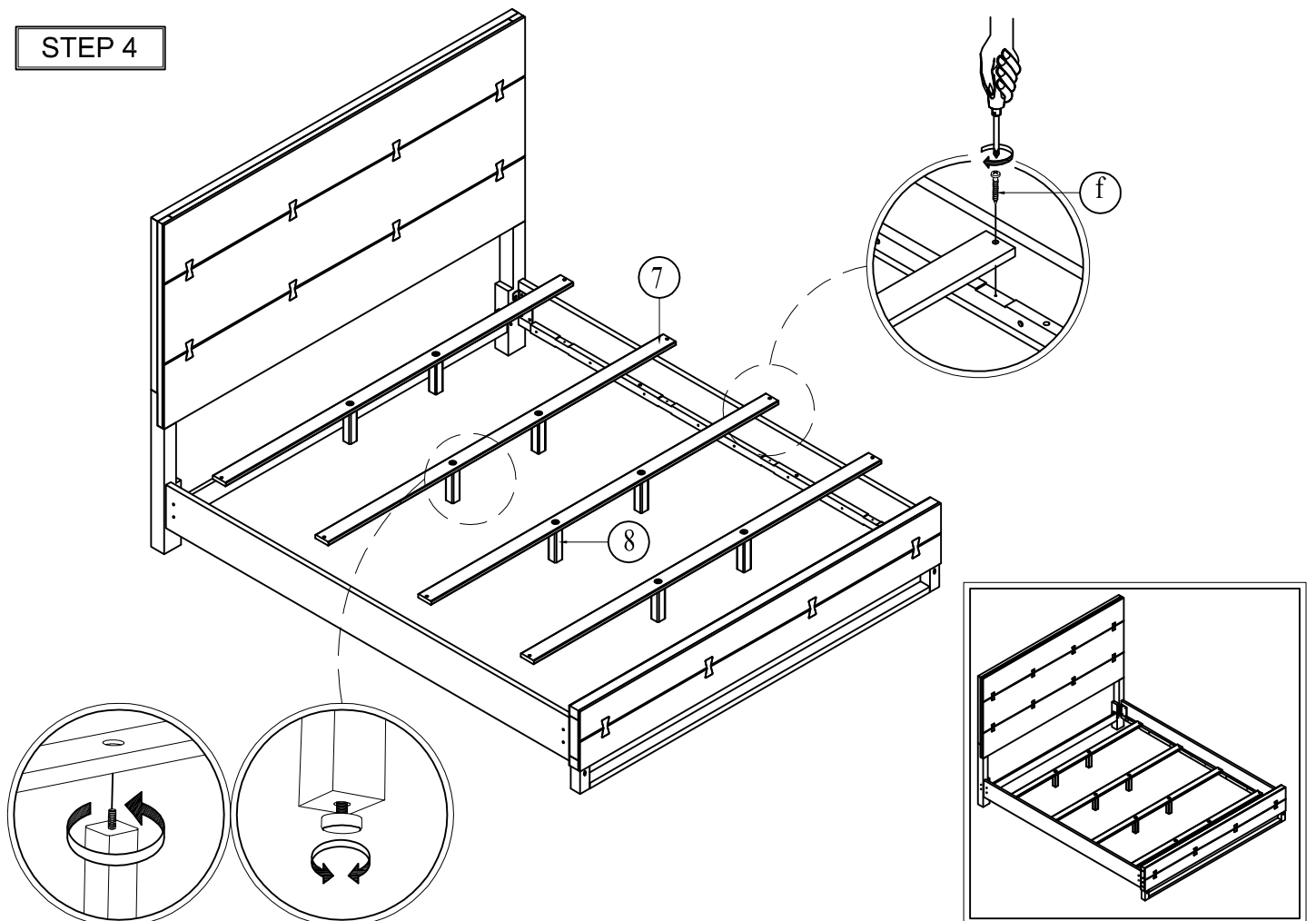
CAL.KG / EAST.KG RAILS

5200 SERIES

STEP 3



STEP 4

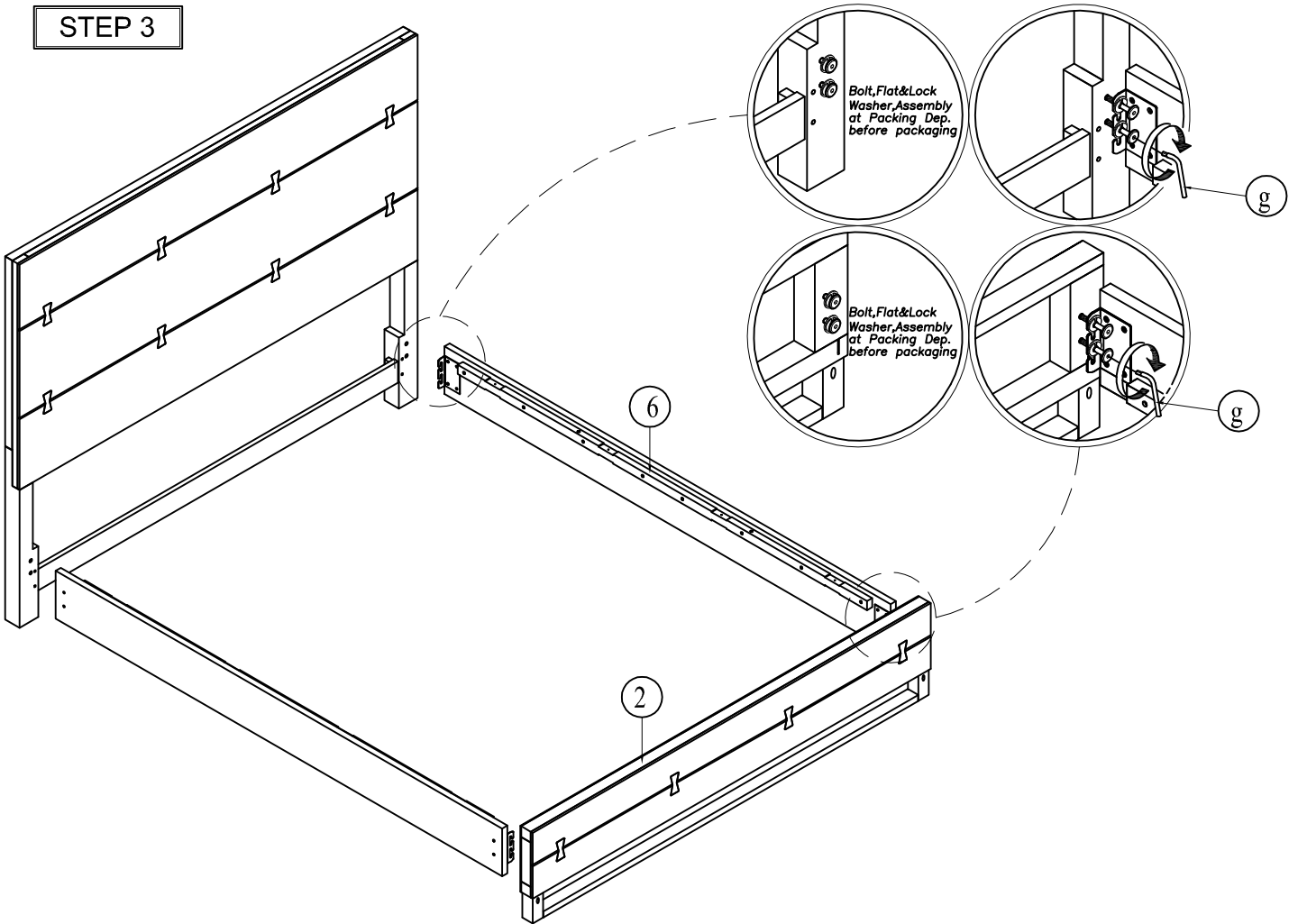


5200 - 07CK/EK - HB
5200 - 07CK/EK - FB
5200 - 07CK/EK - RS

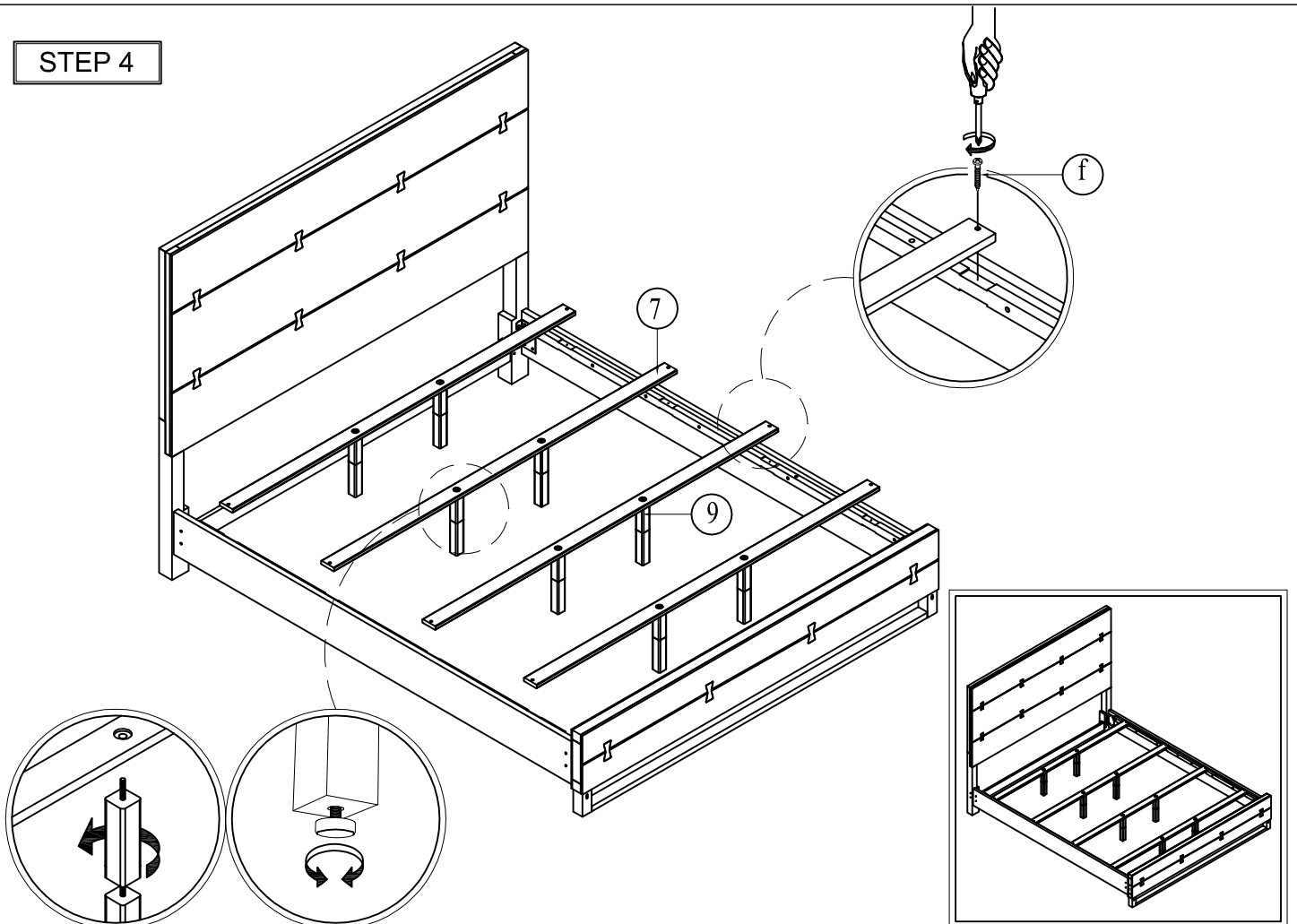
CAL.KG / EAST.KG HEADBOARD
CAL.KG / EAST.KG FOOTBOARD
CAL.KG / EAST.KG RAILS

5200 SERIES

STEP 3



STEP 4



5200 - HB

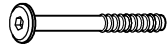
HEADBOARD

5200
SERIES

Assembly Instruction

A . Components :

- 1. Headboard 1 x
- 2. Metal 1 x



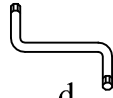
a



b



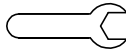
c



d



e



f

B . Hardware :

- a. Allen Bolt 4 x
- b. Lock Washer 8 x
- c. Flat Washer 8 x
- d. Allen Key 1 x
- e. Hex Nut 4 x
- f. Wrench 1 x

