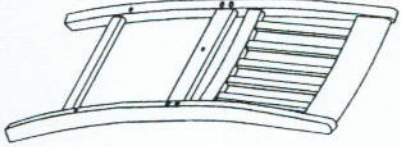
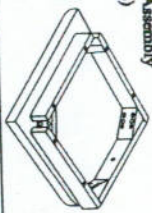






DO NOT FULLY TIGHTEN SCREWS AND BOLTS UNTIL THE ENTIRE ITEM IS COMPLETELY ASSEMBLED

PART LIST

(A) Back Assembly (1pc)	(B) Seat Assembly (1pc)	(C) Front Leg - Left & Right (2pcs)
		
	(D) Front Stretcher (1pc)	
		

(E) Side Stretcher - Left (1pc)	(F) Side Stretcher - Right (1pc)
	

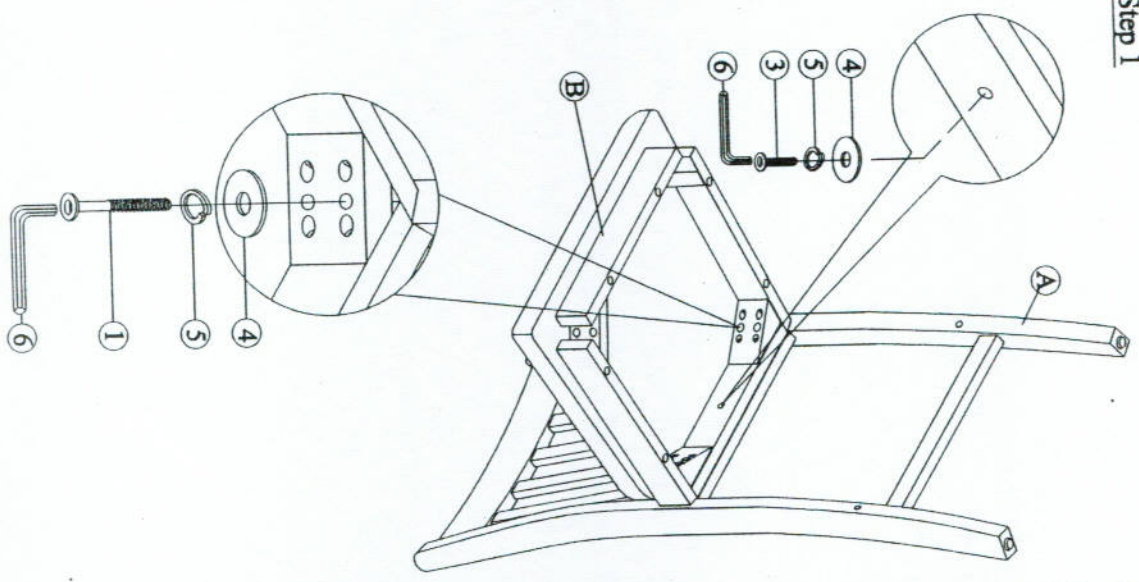
HARDWARE LIST

Long Bolt (1) $\varnothing 1/4" \times 75\text{mm}$ (4pcs)	Medium Bolt (2) $\varnothing 1/4" \times 60\text{mm}$ (4pcs)	Short Bolt (3) $\varnothing 1/4" \times 40\text{mm}$ (1pc)	Flat Washer (4) $\varnothing 1/4" \times 19\text{mm}$ (9pcs)
Spring Washer (5) $\varnothing 1/4" \times 13\text{mm}$ (9pcs)	Allen Key (6) 4 mm (1pc)	Wood Screw (7) $\varnothing 4\text{mm} \times 38\text{mm}$ (6pcs)	

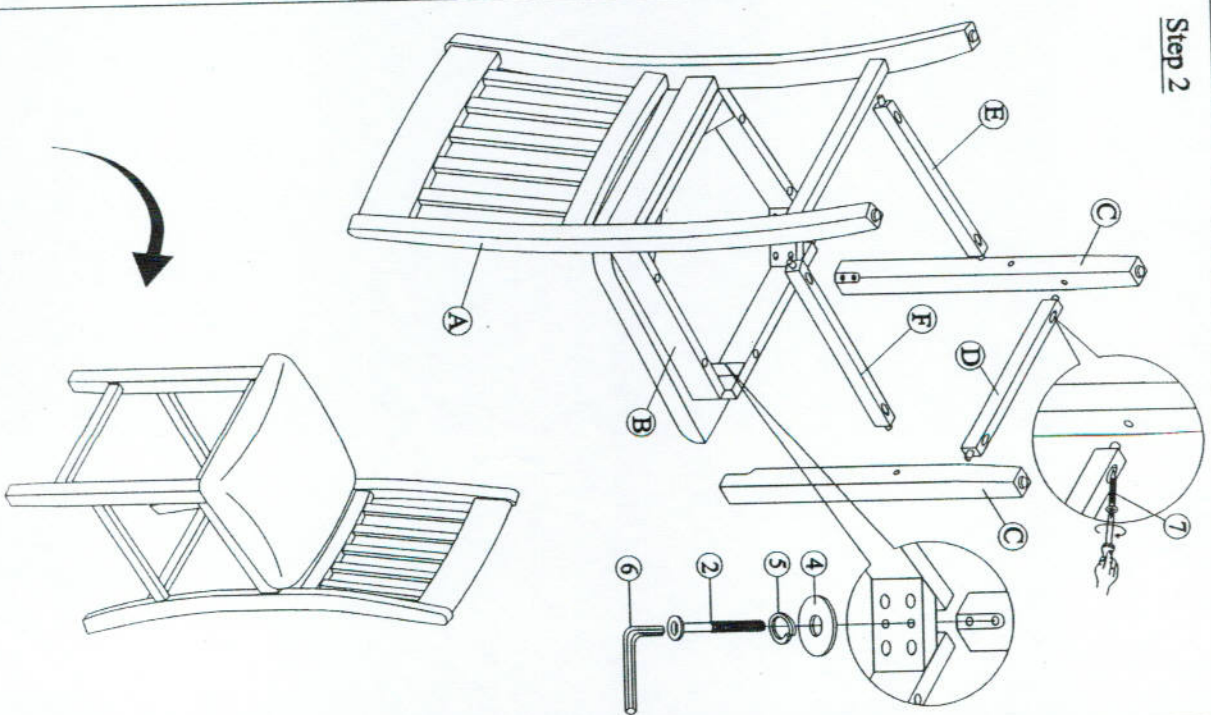
TOOL REQUIRED



Step 1



Step 2

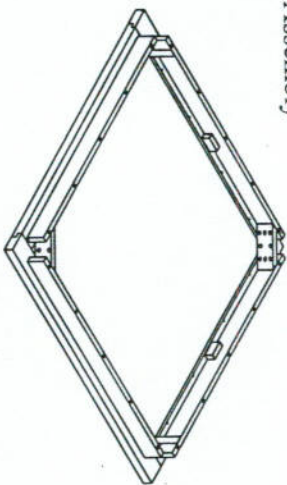


ASSEMBLY INSTRUCTIONS
#554

DIMENSIONS :
L42" x W42" x H.36"

PART LIST

(A) 1pc
Top Assembly



(B) 4pcs
Leg



HARDWARE LIST

Hex Nut



(1) Ø5/16" x 70mm
(8pcs)

Spring Washer



(2) Ø5/16" x 13mm
(8pcs)

Flat Washer

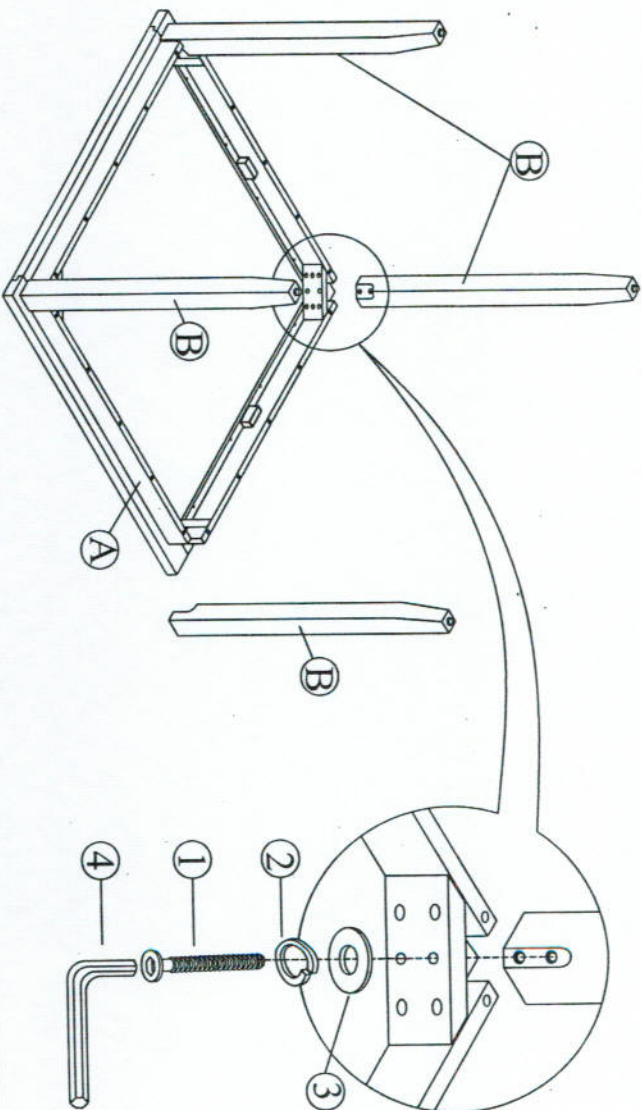


(3) Ø5/16" x 19mm
(8pcs)

Allen Key



(4) 4mm (1pc)



TEAR OFF THE PLASTIC PROTECTIVE FILM ON TABLE TOP WITH GENTLY

