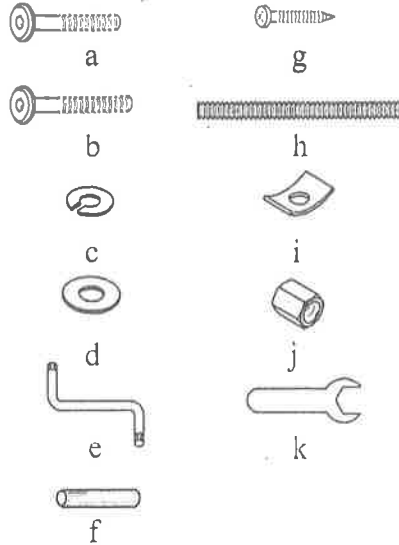


# Assembly Instruction

**A . Components :**

- 1. Headboard Panel 1 x
- 2. Footboard Panel 1 x
- 3. HB Right Leg 1 x
- 4. HB Left Leg 1 x
- 5. Stretcher 1 x
- 6. Bed Rail 2 x
- 7. Slat 4 x
- 8. Slat Support 8 x



**B . Hardware :**

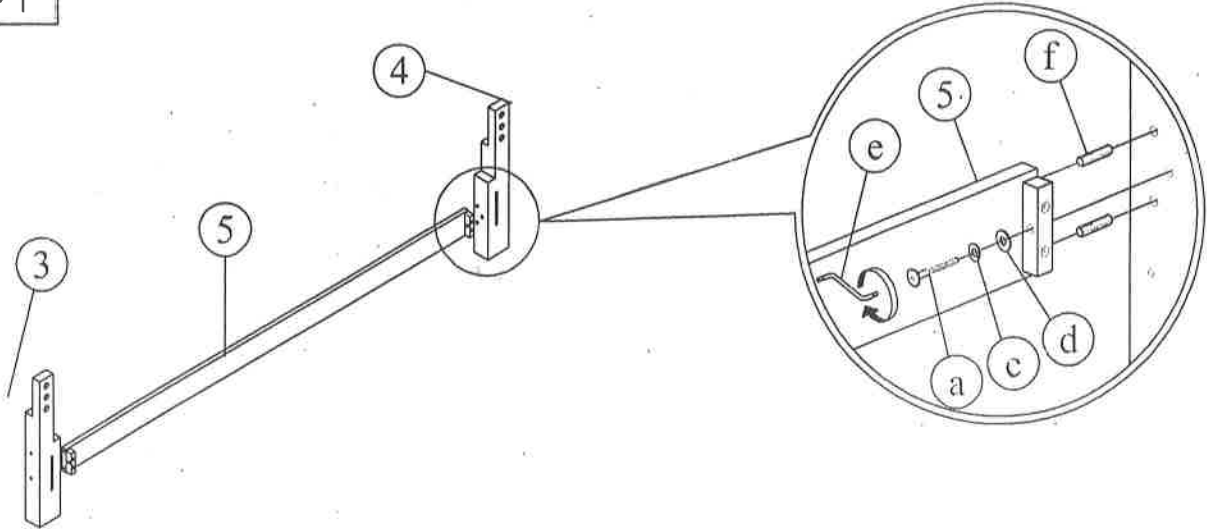
- a. Allen Bolt Short 2 x
- b. Allen Bolt Long 6 x
- c. Lock Washer 8 x
- d. Flat Washer 8 x
- e. Allen Key 1 x
- f. Dowel 4 x
- g. Screw 8 x
- h. Stud Bolt 8 x
- i. Square Washer 8 x
- j. Hex Nut 8 x
- k. Wrench 1 x

**B . Tool Required :**

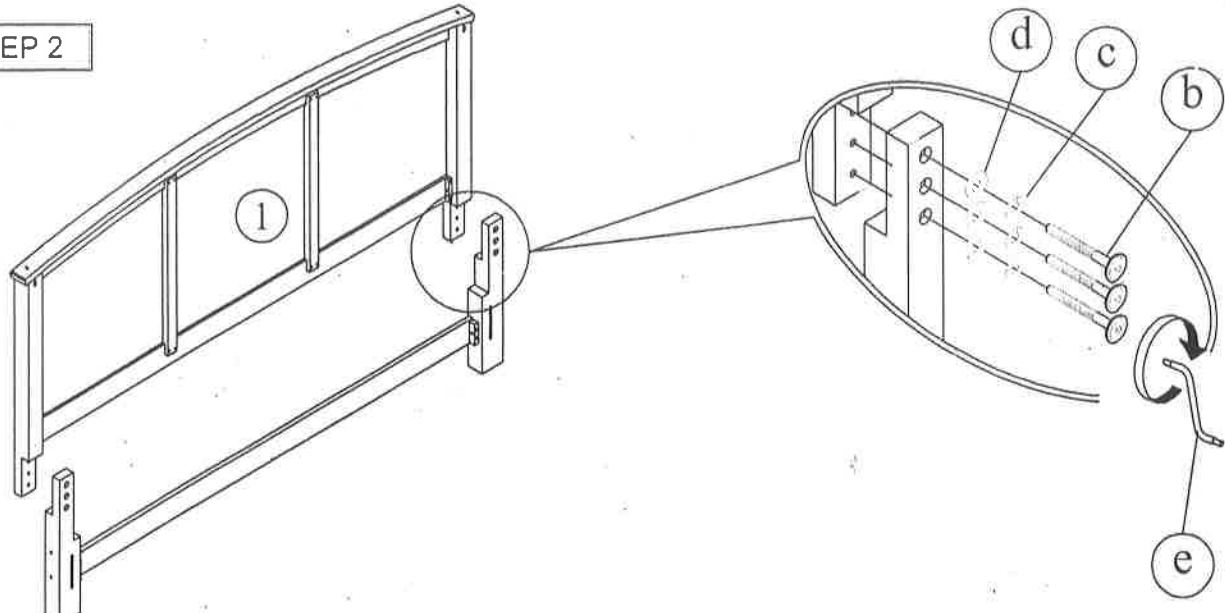
- 1. Screw Driver = (not included)



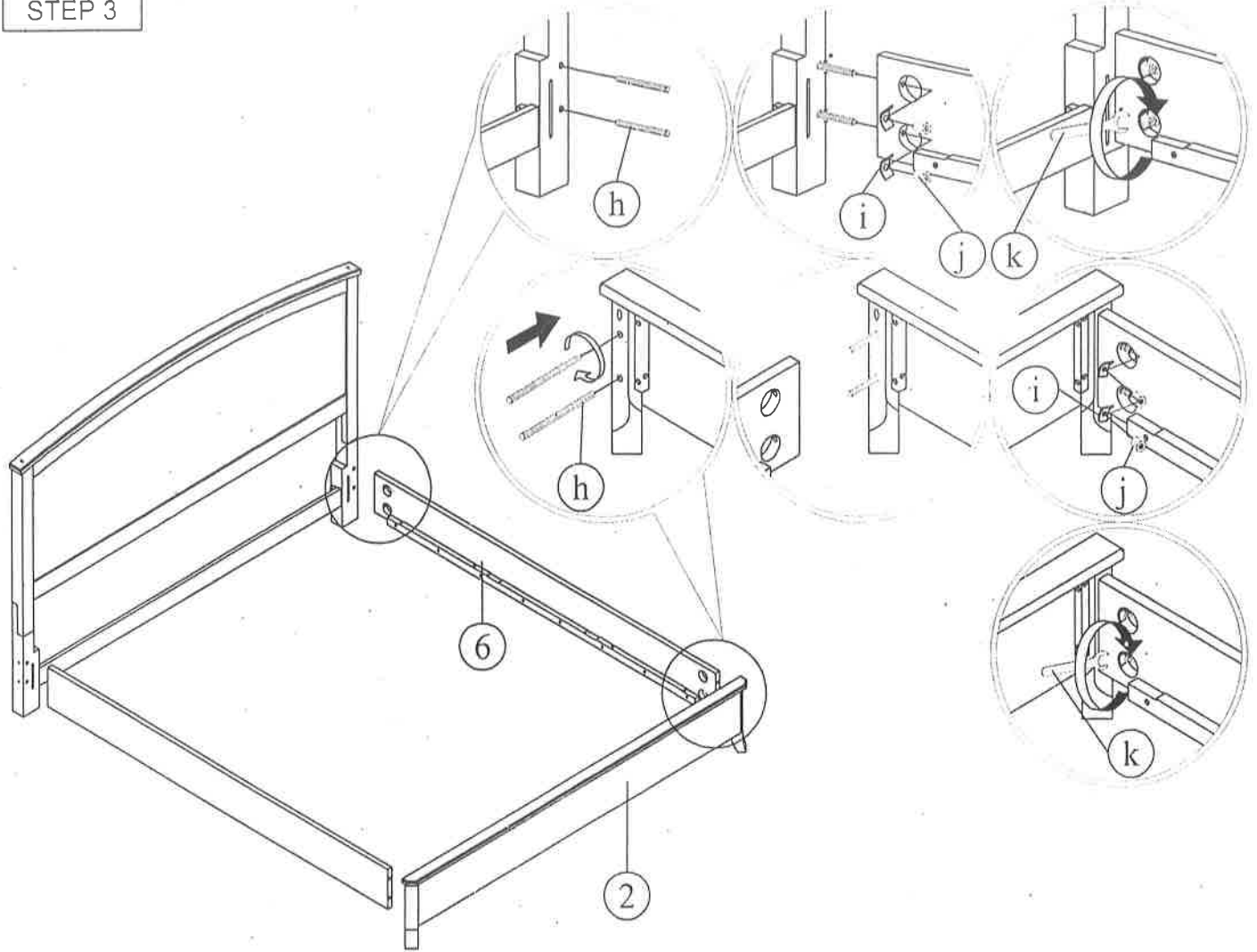
**STEP 1**



**STEP 2**



STEP 3



STEP 4

