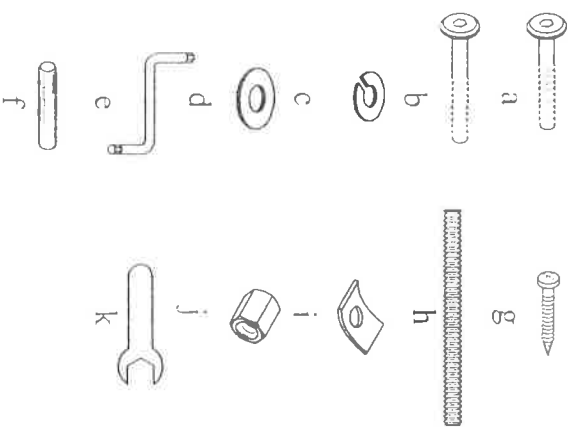


Assembly Instruction

A. Components :

1. Headboard Panel	1 x
2. Footboard Panel	1 x
3. HB Right Leg	1 x
4. HB Left Leg	1 x
5. Stretcher	1 x
6. Bed Rail	2 x
7. Slat	4 x
8. Slat Support	4 x



B. Hardware :

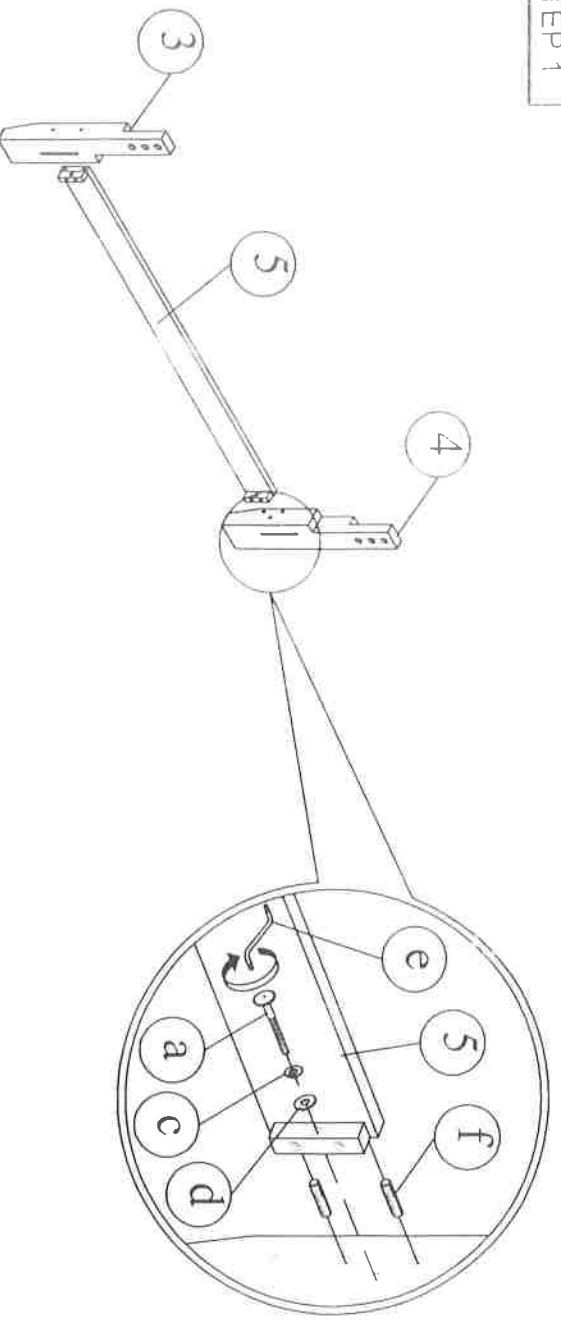
a. Allen Bolt Short	2 x
b. Allen Bolt Long	6 x
c. Lock Washer	8 x
d. Flat Washer	8 x
e. Allen Key	1 x
f. Dowel	4 x
g. Screw	8 x
h. Stud Bolt	8 x
i. Square Washer	8 x
j. Hex Nut	8 x
k. Wrench	1 x

C. Tool Required :

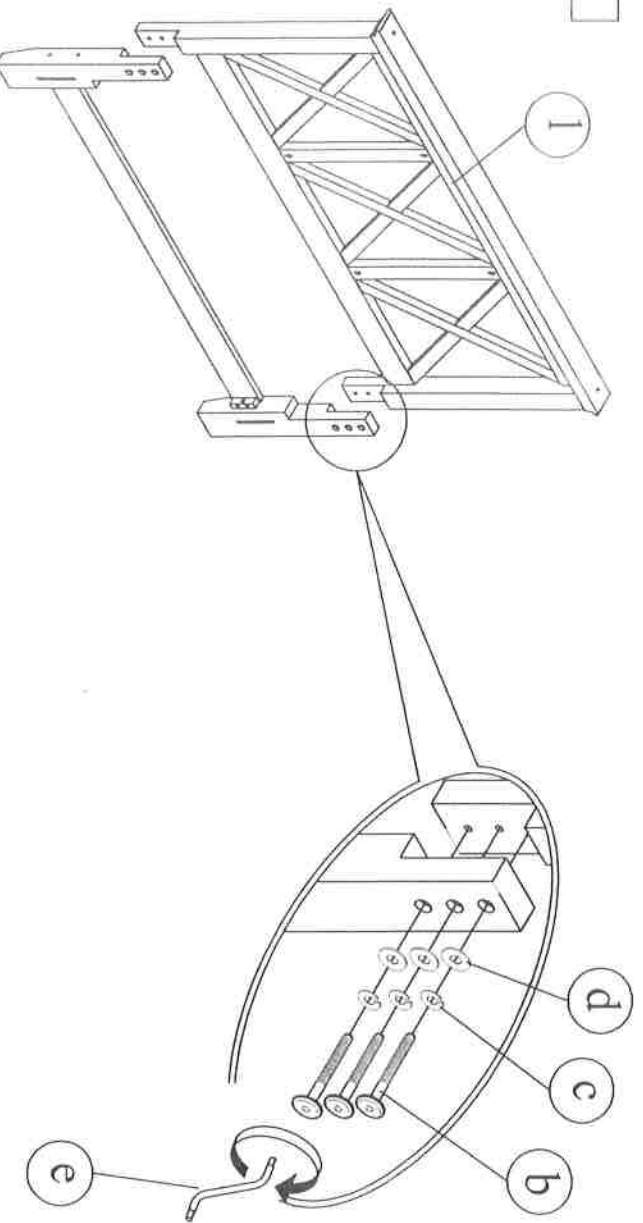
1. Screw Driver = (not included)



STEP 1



STEP 2

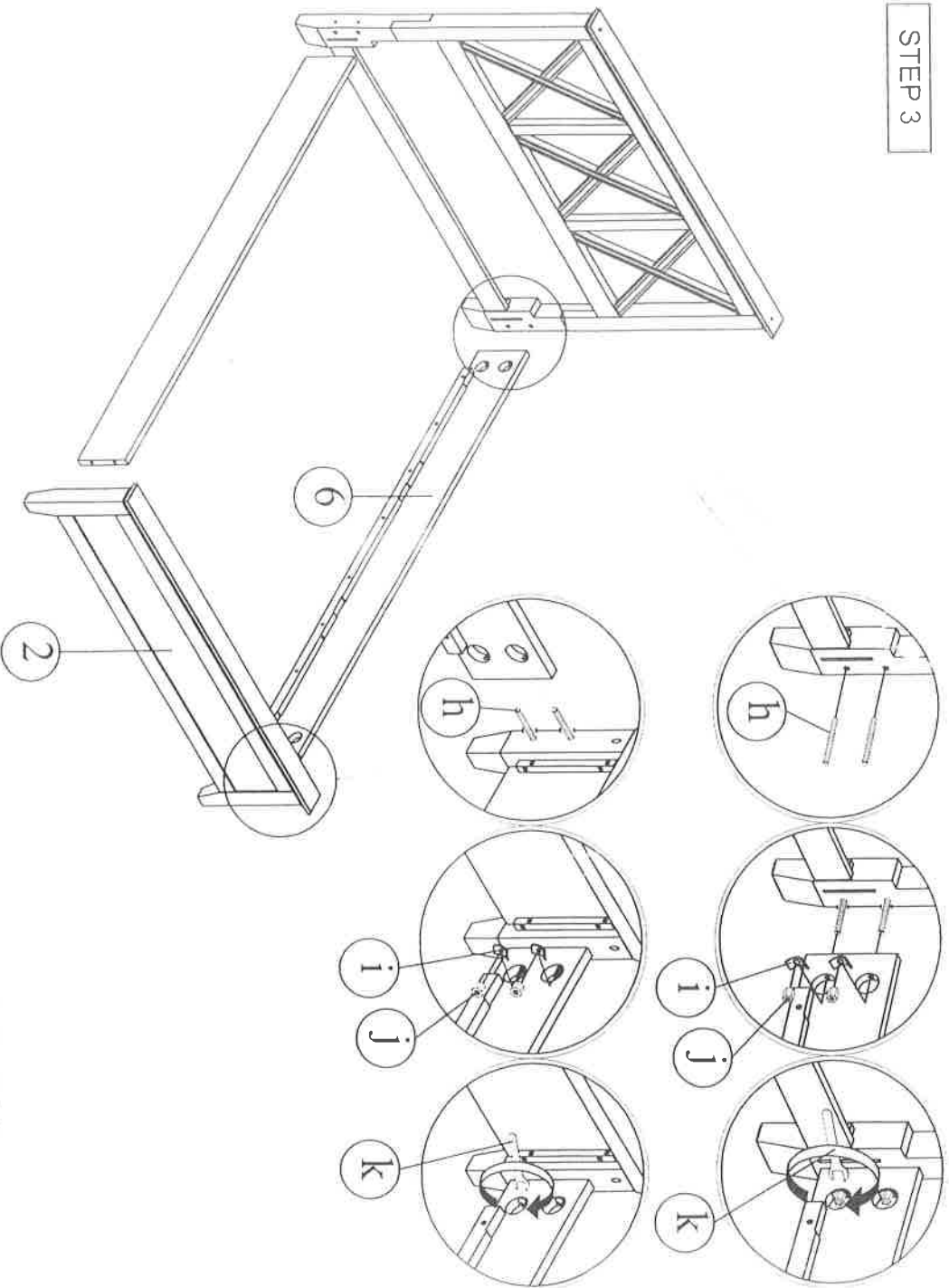


955 - 08F - HB
955 - 08F - FB
955 - 08F - RS

FULL PANEL HEADBOARD
FULL PANEL FOOTBOARD
FULL PANEL RAILS

955
SERIES

STEP 3



STEP 4

