

ASSEMBLY INSTRUCTIONS

MODEL: 3868-01T / 3868-01B MANCHESTER DINING TABLE

Please read instructions carefully

Remove all wrapping materials, staples and packing straps from the carton. Refer to Parts List and Hardware List and ensure they are complete before you start assembling. Place all wooden parts on a clean, flat and soft surface (e.g carpet or rug) to prevent parts from being scratched.

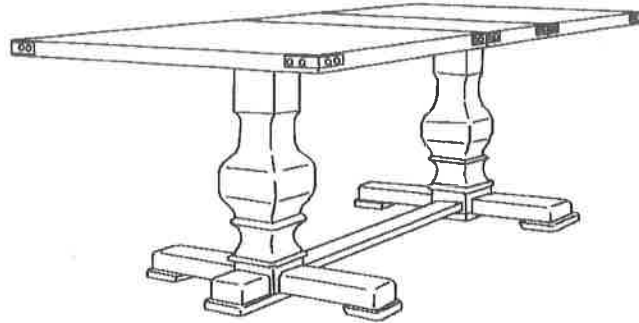
- CAUTIONS:** 1) DO NOT FULLY TIGHTEN BOLTS AND NUTS UNTIL ALL PARTS HAVE BEEN ASSEMBLED.
 2) DO NOT OVER-TIGHTEN BOLTS AND NUTS AS IT MAY DAMAGE THE SCREW THREAD.
 3) KEEP ALL HARDWARE PARTS OUT OF REACH OF CHILDREN.

PARTS LIST (FOR 1 NOS. OF TABLE)

NO.	COMPONENT	QTY.
P1	PEDESTAL LEGS	2
P2	LEG PRONGS	4
P3	END LEG PRONGS	2
P4	BOTTOM STRETCHER	1
P5	TOP RAIL	1
P6	MOUNTING BAR	4
P7	TABLE TOP	1

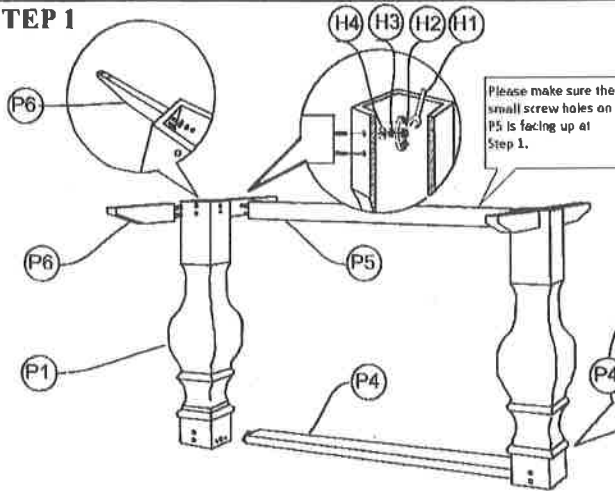
HARDWARE LIST (FOR 1 NOS. OF TABLE)

NO.	DESCRIPTION	QTY.
H1	WRENCH	1
H2	HEX NUT	24
H3	M8 SPRING WASHER	24
H4	M8 FLAT WASHER	24
H5	ALLEN KEY	1
H6	JCBC M6 X 70mm	2
H7	JCBC M6 X 40mm	4
H8	M6 SPRING WASHER	6
H9	SCREW M4 X 32mm	16
H10	ADJUSTABLE GLIDE	6

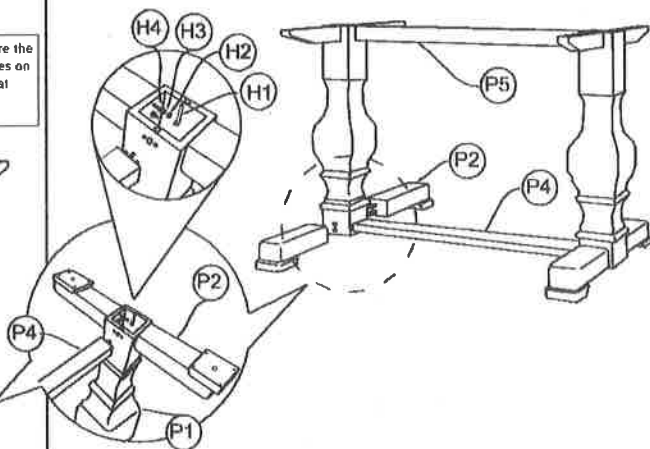


COMPLETE ASSEMBLY

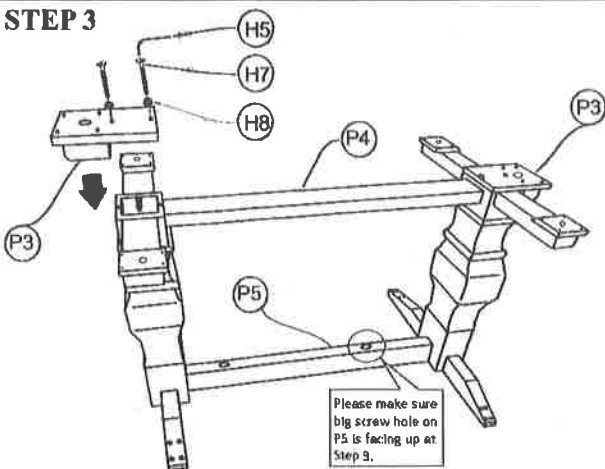
STEP 1



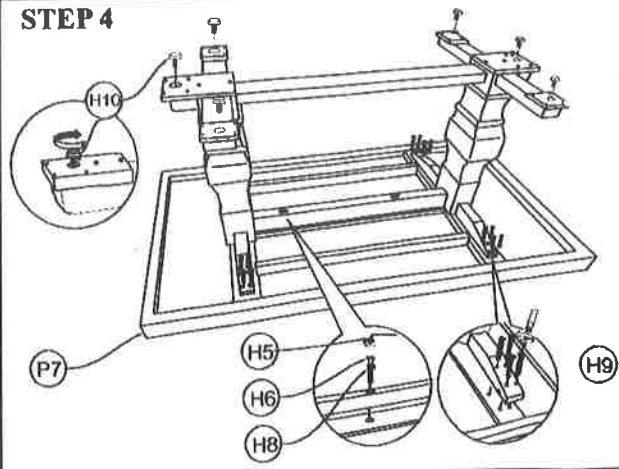
STEP 2



STEP 3



STEP 4



CARE AND MAINTENANCE

- SAFETY** - To avoid any risk of suffocation to children and animals, dispose off plastic bags immediately.
CLEANING - Clean with damp cloth and mild detergent. Do not use bleach or abrasive products.
FITTINGS - Tighten bolts and nuts from time to time to ensure all parts of product are securely fitted.
 If any of the components are damaged or broken they should be removed from service.
 Not for commercial use.