

ASSEMBLY INSTRUCTIONS

ITEM : 2929-05 EMERY BARSTOOL

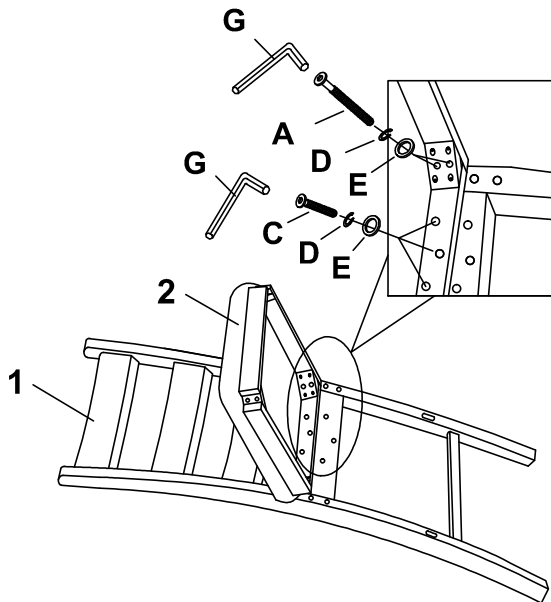
Important note :

- Place all wooden parts on a clean and smooth surface such as a rug or carpet to avoid scratching the parts.
- Kindly follow the assembly instructions step by step.
- Do not tighten all screws and bolts until the chair is fully assembled.

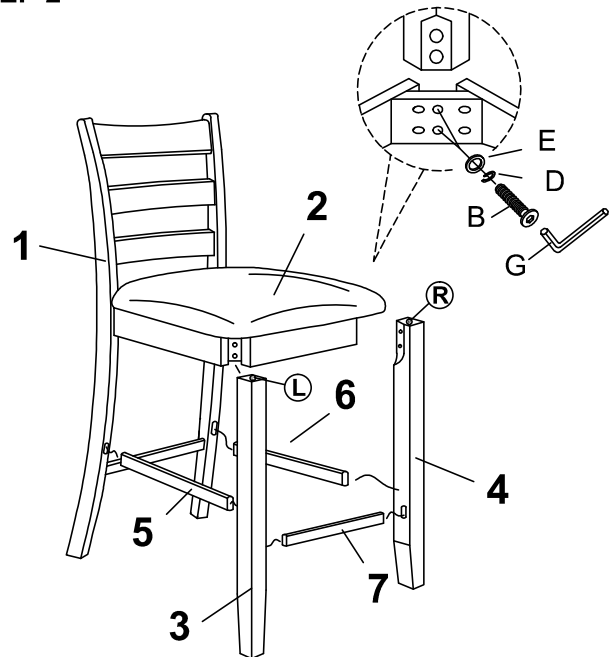
NO	COMPONENT	QTY
1	BARSTOOL BACK	1
2	CUSHION SEAT	1
3	LEFT FRONT LEG	1
4	RIGHT FRONT LEG	1
5	LEFT SIDE STRETCHER	1
6	RIGHT SIDE STRETCHER	1
7	FRONT SIDE STRETCHER	1

NO	HARDWARE	QTY
A	BOLT (LONG)	4
B	BOLT (MEDIUM)	4
C	BOLT (SHORT)	3
D	SPRING WASHER	11
E	FLAT WASHER	11
F	SCREW	6
G	ALLEN KEY	1

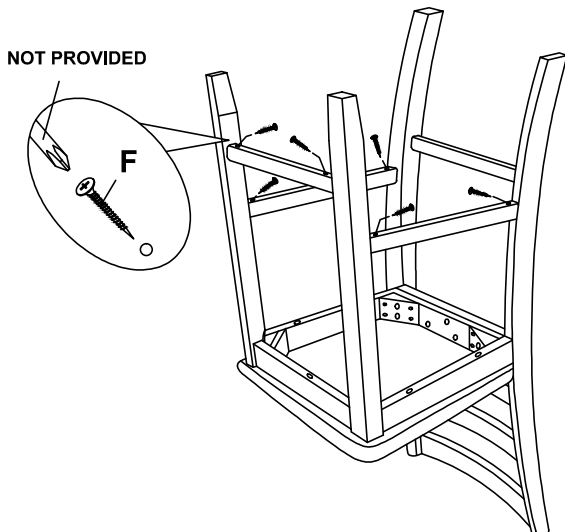
STEP 1



STEP 2



STEP 3



STEP 4

