







ASSEMBLY INSTRUCTIONS

ITEM : 2929-04 EMERY PUB TABLE

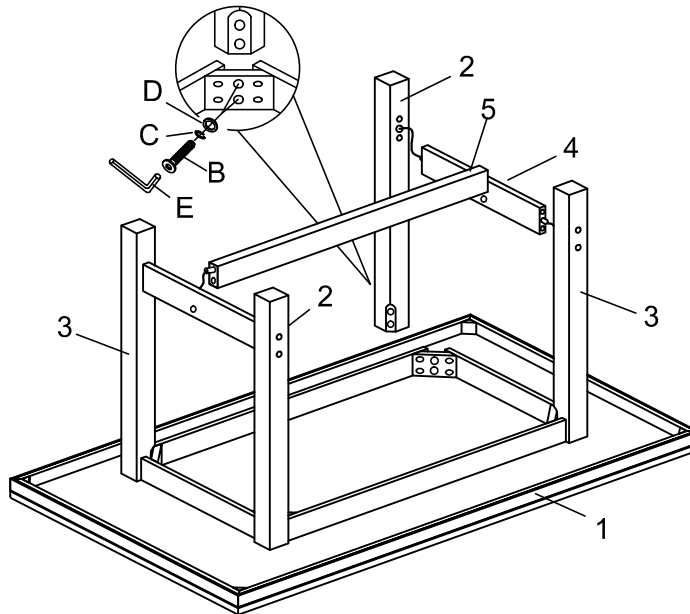
Important note :

- Place all wooden parts on a clean and smooth surface such as a rug or carpet to avoid scratching the parts.
- Kindly follow the assembly instructions step by step.
- Do not tighten all screws and bolts until the table is fully assembled.

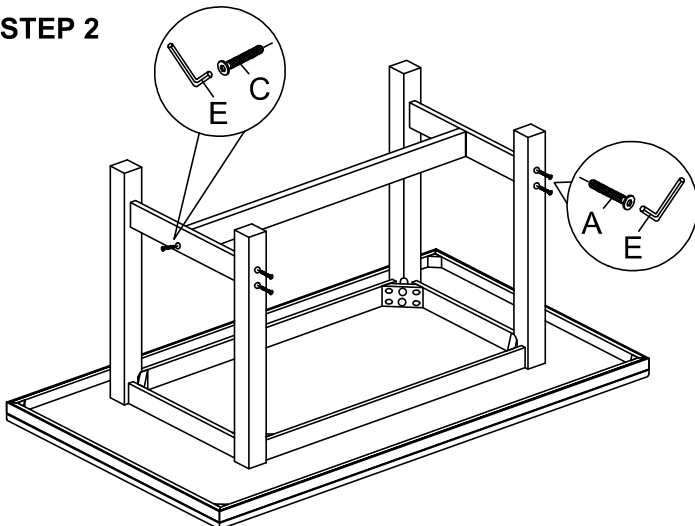
NO	COMPONENT	QTY
1	TABLE TOP	1
2	LEFT LEG	2
3	RIGHT LEG	2
4	SHORT STRETCHER	2
5	LONG STRETCHER	1
6	LEG ACCENT	4
7	STRETCHER ACCENT	2

NO	HARDWARE	QTY
A	BOLT (LONG) 	8
B	BOLT (MEDIUM) 	8
C	BOLT (SHORT) 	2
D	SPRING WASHER 	8
E	FLAT WASHER 	8
F	ALLEN KEY 	1

STEP 1



STEP 2



STEP 3

