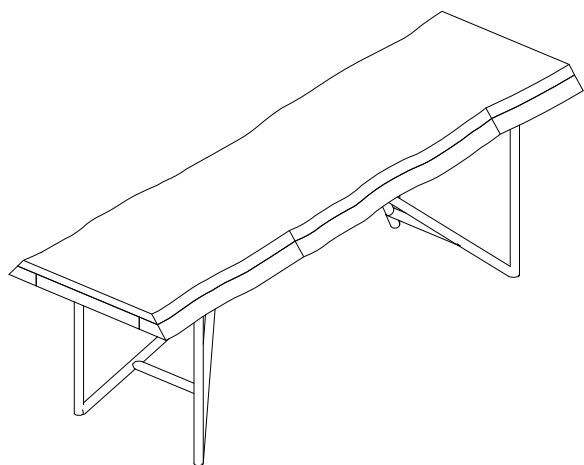
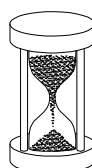


# 1968-33T HERITAGE BENCH TOP 1968-33B HERITAGE BENCH LEGS



## ASSEMBLY INSTRUCTIONS



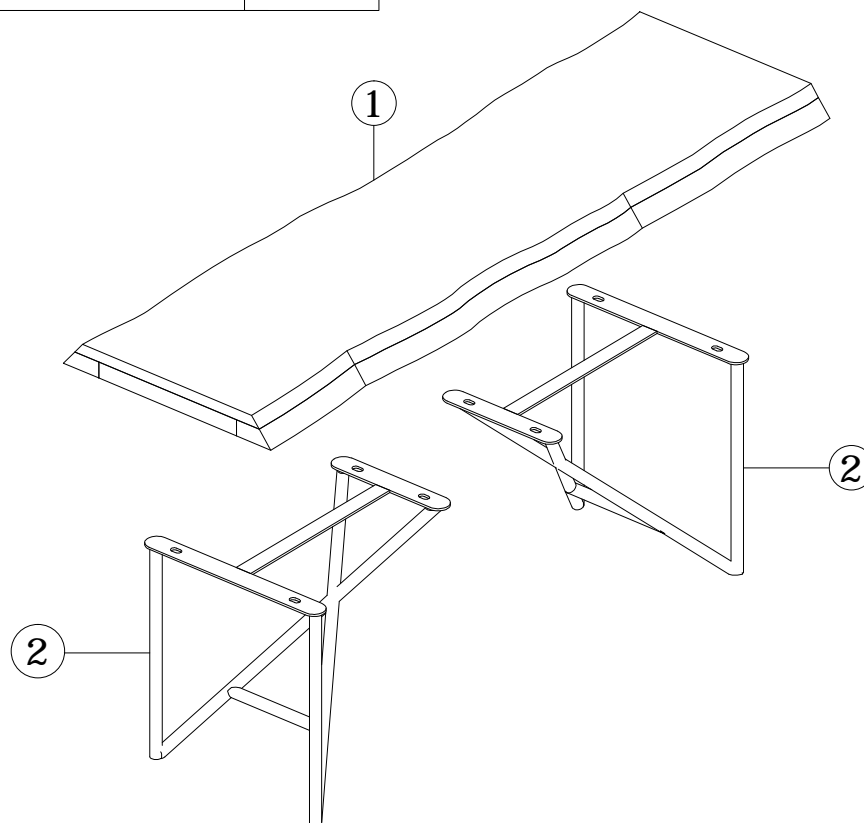
30 MIN






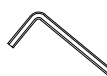
x2



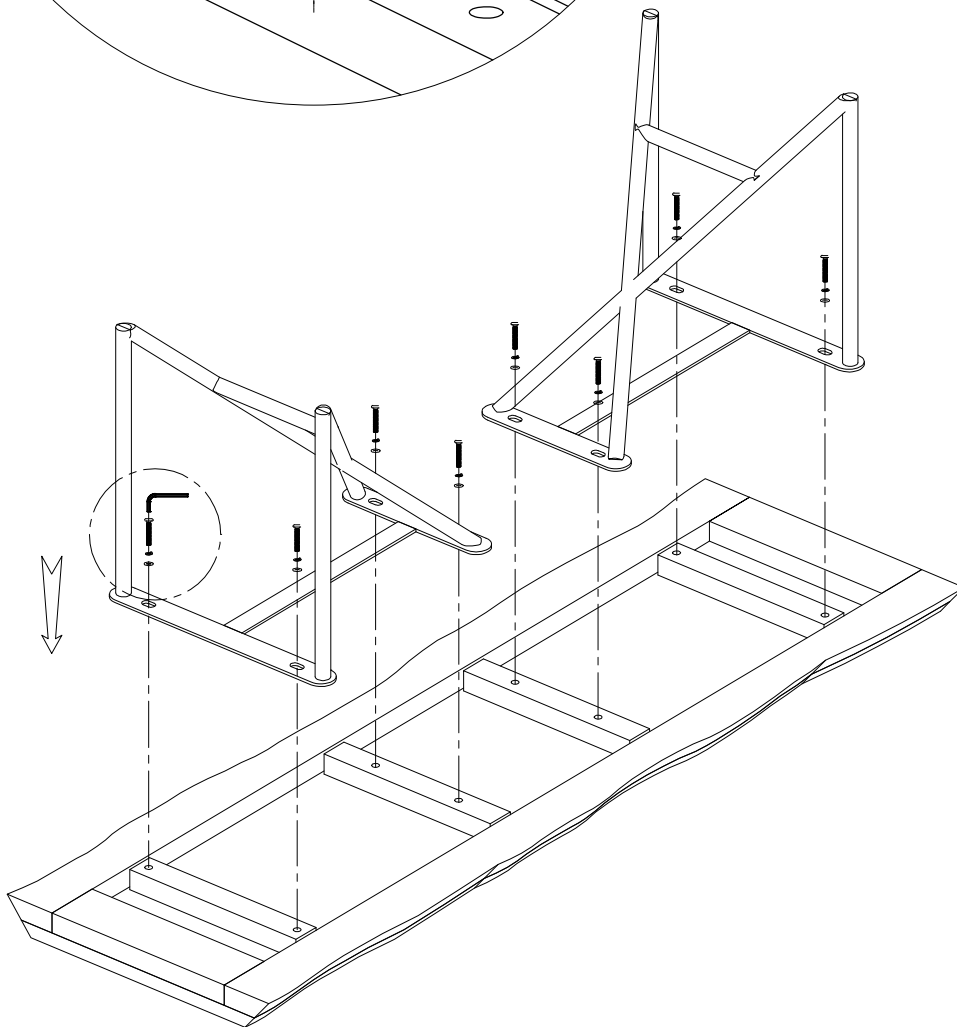
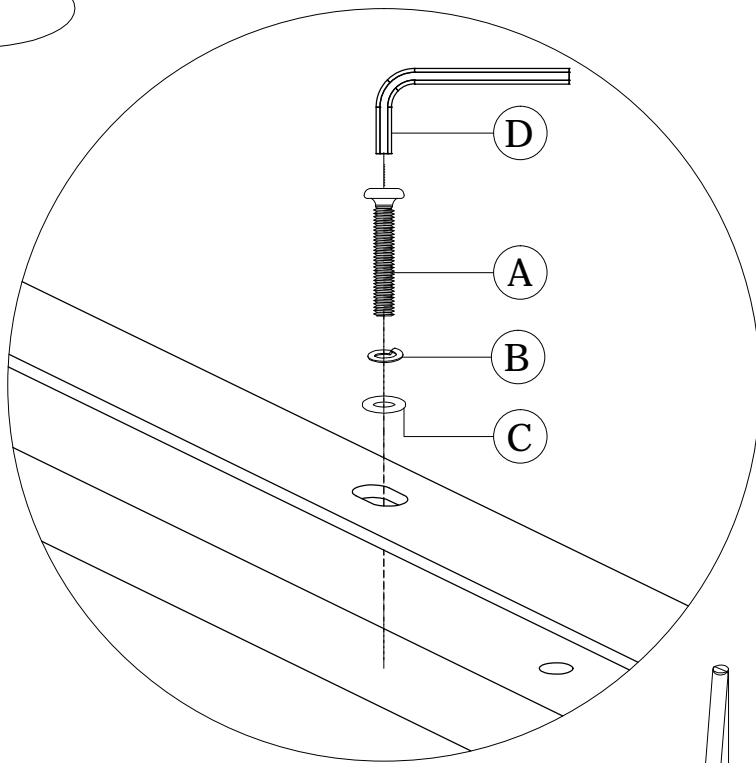
1	TOP	01 PC
2	LEGS	02 PCS







<b>A</b>	BOLT Ø15 x M8 x 30 mm		<b>08 PCS</b>
<b>B</b>	SPRING WASHER M8 x Ø13 x 1.2 mm		<b>08 PCS</b>

<b>C</b>	WASHER M8 x Ø19 x 2 mm		<b>08 PCS</b>
<b>D</b>	ALLEN KEY Ø4 x 60 mm		<b>01 PC</b>

I



<b>A</b>	BOLT Ø15 x M8 x 30 mm		<b>08 PCS</b>
<b>B</b>	SPRING WASHER M8 x Ø13 x 1.2 mm		<b>08 PCS</b>

<b>C</b>	WASHER M8 x Ø19 x 2 mm		<b>08 PCS</b>
<b>D</b>	ALLEN KEY Ø4 x 60 mm		<b>01 PC</b>

**ASSEMBLY IS COMPLETE**

