

# ASSEMBLY INSTRUCTION

MODEL : 1306-W-C/KPH / W-C/KPF / EPR

DESCRIPTION : Cal/ Eastern King Panel Headboard/  
Footboard/ Eastern King Panel Rails & Slats

Thank you for purchasing this quality product. Be sure to check all packing material carefully for small Hardware which may have come loose inside the carton during shipment. Identify and count all Hardware and compare with the Hardware List below.

## PART LIST

| No. | Descriptions               | Qty   |
|-----|----------------------------|-------|
| A   | Panel Headboard            | 1 Pc  |
| B   | Panel Footboard            | 1 Pc  |
| C   | Rails                      | 2 Pcs |
| D   | Slats                      | 4 Pcs |
| E   | Slats support              | 8 Pcs |
| F   | Headboard Left & Right Leg | 2 Pcs |

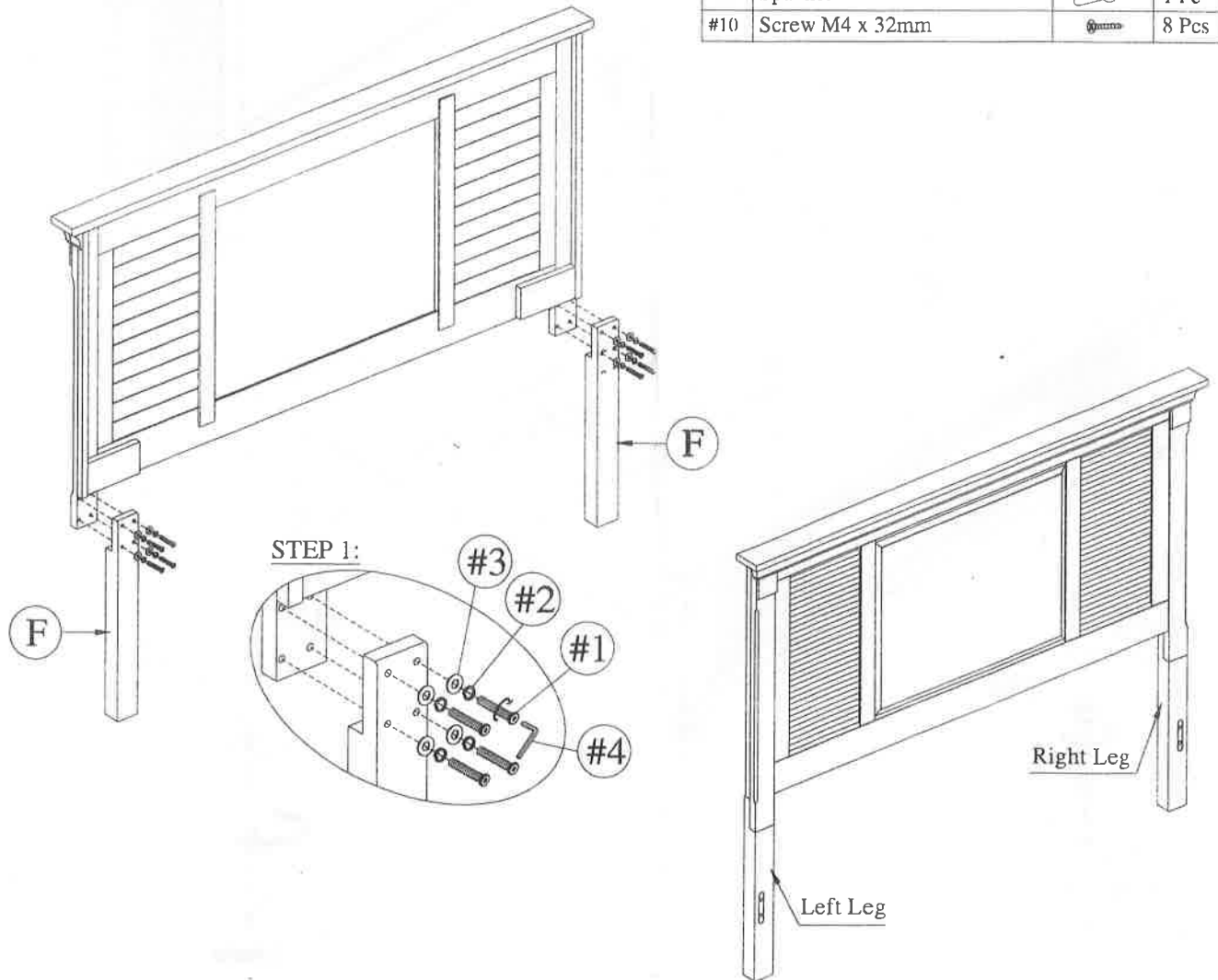
## HEADBOARD HARDWARE LIST

| NO. | Description                 | Qty.  |
|-----|-----------------------------|-------|
| #1  | JCBC Screw M6 x 40mm        | 8 Pcs |
| #2  | Spring Washer 1/4"          | 8 Pcs |
| #3  | Flat Washer 1/4" x 19 x 1mm | 8 Pcs |
| #4  | Allen Key M4                | 1 Pc  |

## RAILS HARDWARE LIST

| NO. | Description                  | Qty.  |
|-----|------------------------------|-------|
| #5  | Hanger bolt 5/16" x 3 1/2"   | 8 Pcs |
| #6  | Hexagon nut 5/16"            | 8 Pcs |
| #7  | Spring Washer 5/16"          | 8 Pcs |
| #8  | Flat Washer 5/16" x 14 x 1mm | 8 Pcs |
| #9  | Spanner                      | 1 Pc  |
| #10 | Screw M4 x 32mm              | 8 Pcs |

## ASSEMBLY STEP HEADBOARD



# ASSEMBLY INSTRUCTION

MODEL : 1306-W-C/KPH / W-C/KPF / EPR

DESCRIPTION : Cal/ Eastern King Panel Headboard/  
Footboard/ Eastern King Panel Rails & Slats

Thank you for purchasing this quality product. Be sure to check all packing material carefully for small Hardware which may have come loose inside the carton during shipment. Identify and count all Hardware and compare with the Hardware List below.

## ASSEMBLY STEP RAILS

