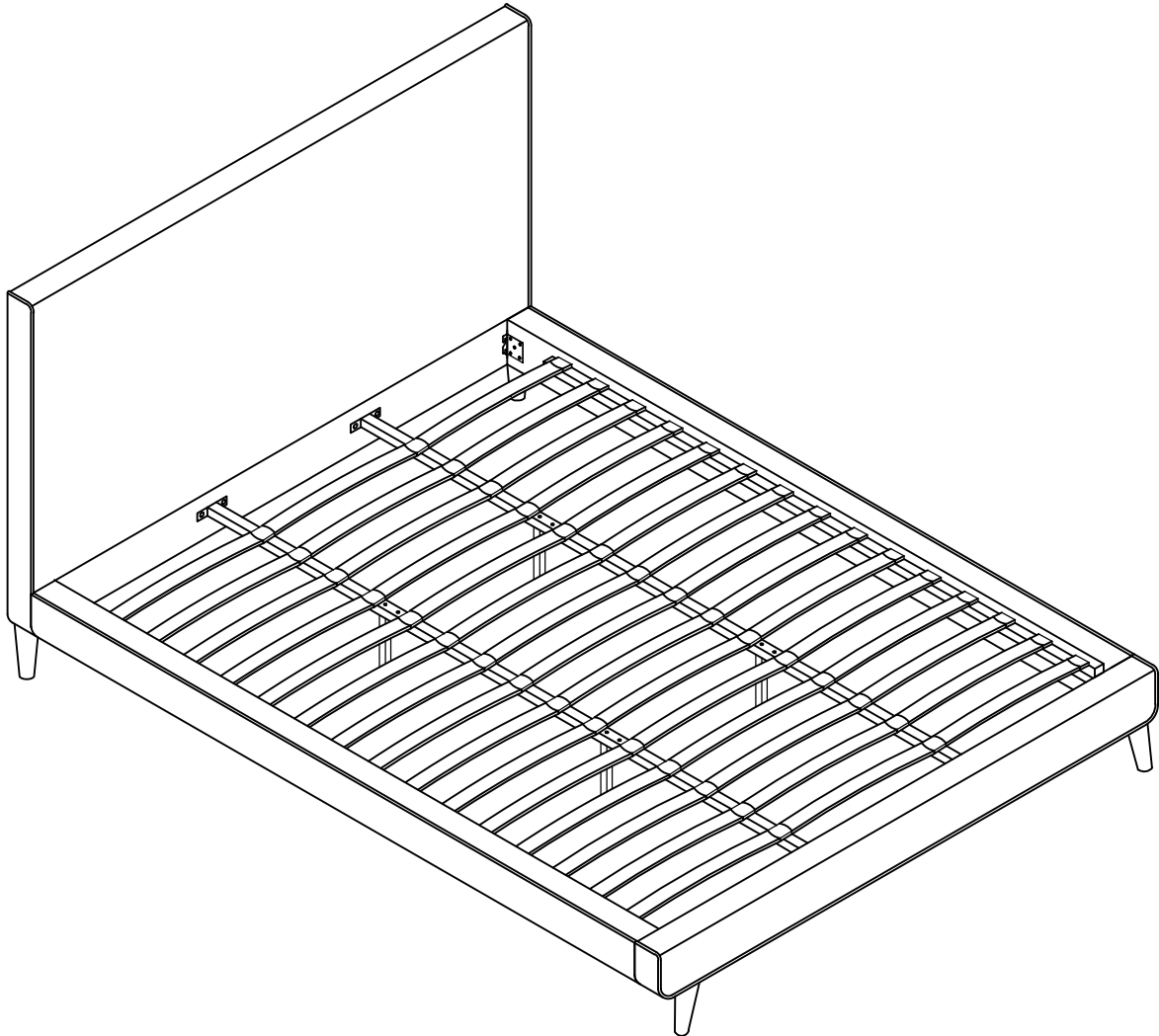


# ASSEMBLY INSTRUCTIONS





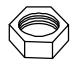

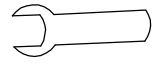
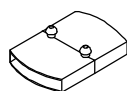
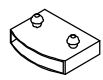
ITEM: EASTERN KING UPHOLSTERY BED (1096EK)



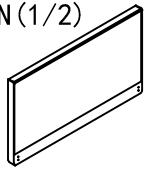
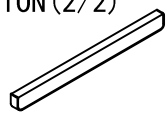





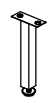
## HELPFUL ADVICE PRIOR TO ASSEMBLING THE BED

- 1) DUE TO THE SIZE AND WEIGHT OF THE BED, WE RECOMMEND THAT IT IS ASSEMBLED BY TWO ADULTS , ON A FLAT SURFACE, IN THE ROOM THAT IT IS INTENDED FOR.
- 2) PLEASE DO NOT USE ANY TOOLS OTHER THAN THOSE PROVIDED OR RECOMMENDED IN THESE INSTRUCTIONS.
- 3) PLEASE DO NOT DISCARD ANY PACKAGING UNTIL YOU HAVE CHECKED THAT YOU HAVE ALL THE PARTS AND FITTINGS. KEEP ALL FITTINGS OUT OF REACH OF CHILDREN
- 4) DO NOT FULLY TIGHTEN ALL SCREWS AND BOLTS UNTIL THE ENTIRE ITEM IS COMPLETELY ASSEMBLED. DEPENDING ON USE, IT MAYBE NECESSARY TO TIGHTEN FROM TIME TO TIME, SO PLEASE SAVE YOUR ALLEN KEY AND SPANNER THAT HAS BEEN PROVIDED

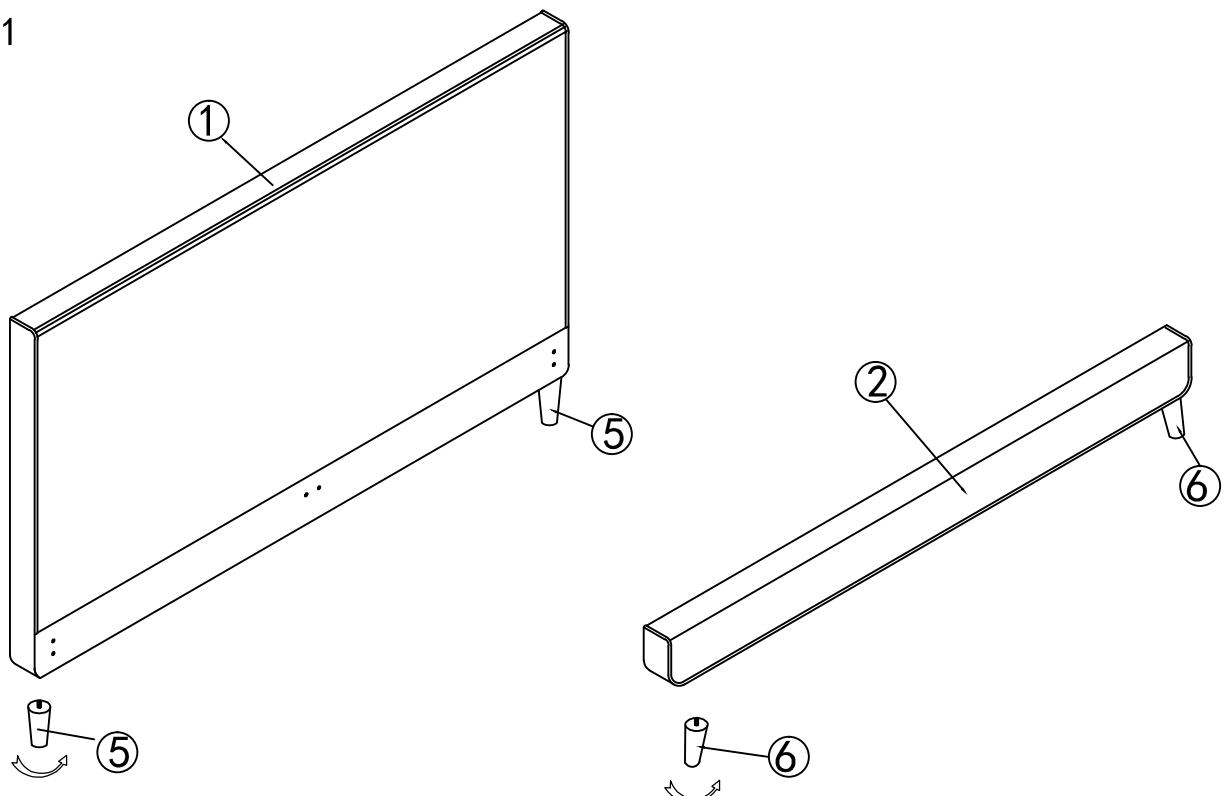
# Hardware List

<b>A</b> 、 BOLT 8PCS CARTON (2/2)   M8*30MM	<b>B</b> 、 BOLT 16PCS CARTON (2/2)   M8*40MM	<b>C</b> 、 FLAT WASHER 24PCS CARTON (2/2)   M8	<b>D</b> 、 SPRING WASHER 24PCS CARTON (2/2)   M8	<b>E</b> 、 NUT 8PCS CARTON (2/2)   M8
<b>F</b> 、 ALLEN KEY 1PC CARTON (2/2)   M5	<b>G</b> 、 SPANNER 1PC CARTON (2/2)  	<b>H</b> 、 CENTER PLASTIC SLAT CAP 30PCS CARTON (2/2)  	<b>I</b> 、 SIDE PLASTIC SLAT CAP 30PCS CARTON (2/2)  	

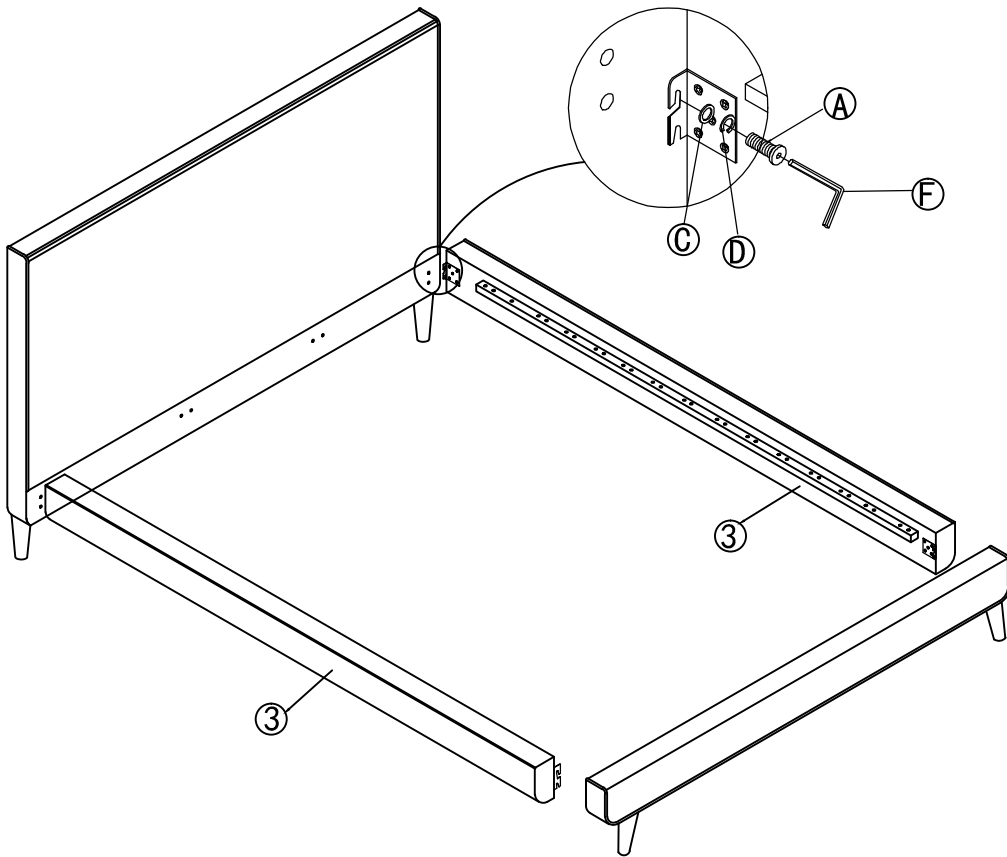
# Parts List

<b>1</b> 、 HEADBOARD 1PC CARTON (1/2)  	<b>2</b> 、 FOOTBOARD 1PC CARTON (2/2)  	<b>3</b> 、 SIDE RAIL 2PCS CARTON (2/2)  	<b>4</b> 、 CENTER SUPPORT RAIL 2PCS CARTON (2/2)  
<b>5</b> 、 BUN FOOT 2PCS CARTON (2/2)  	<b>6</b> 、 BUN FOOT 2PCS CARTON (2/2)  	<b>7</b> 、 SLATS 45PCS CARTON (1/2)  	<b>8</b> 、 CENTER SUPPORT LEG 4PCS CARTON (2/2)  

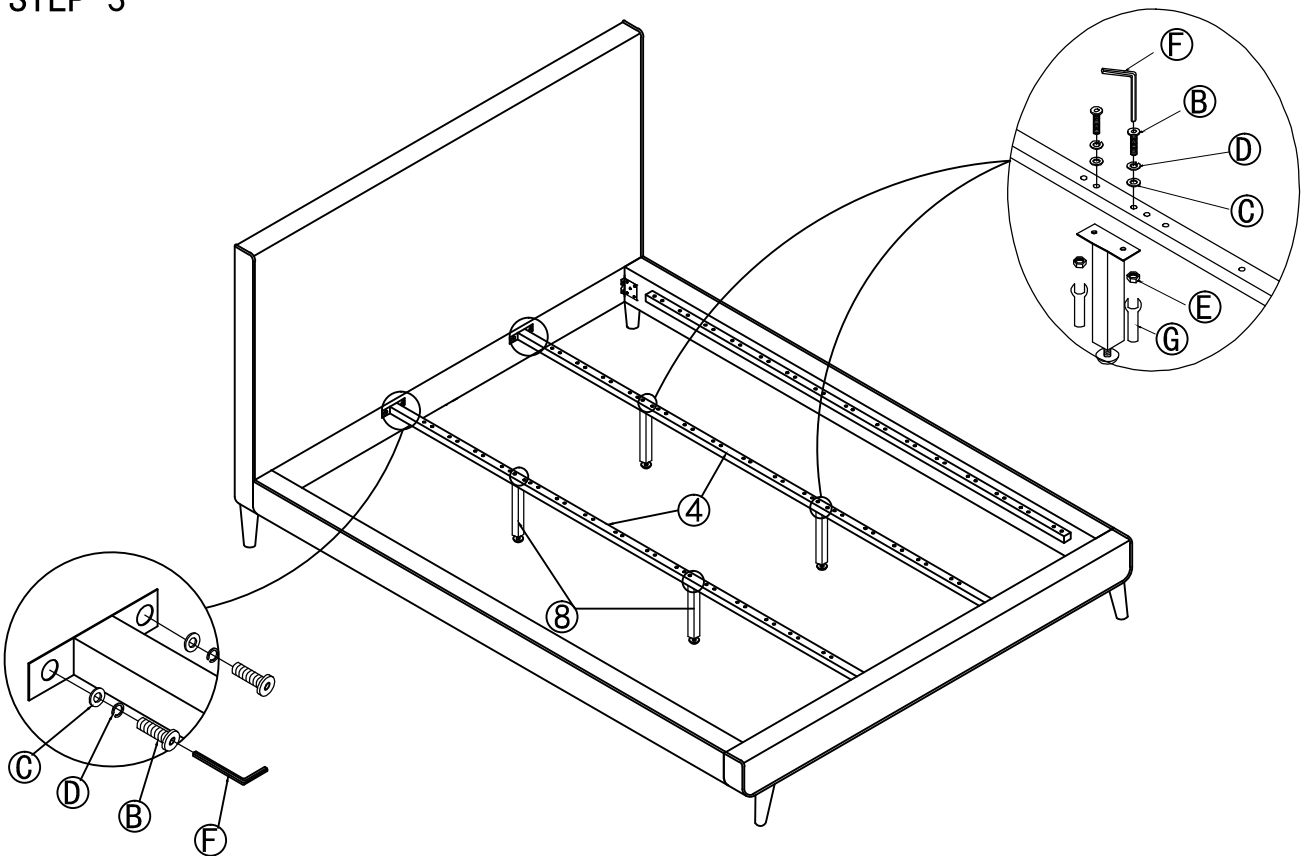
## STEP 1



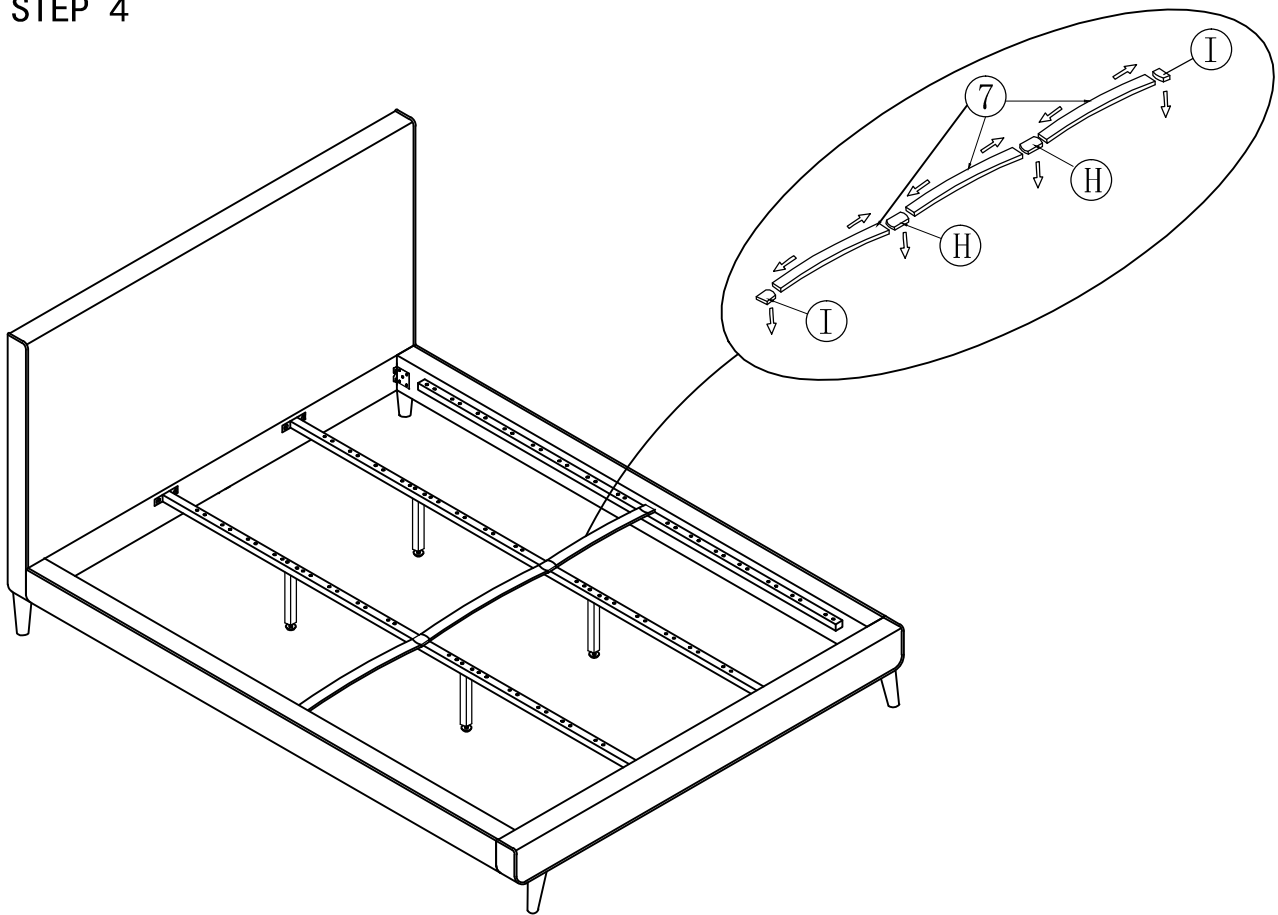
STEP 2



STEP 3



STEP 4



STEP 5

