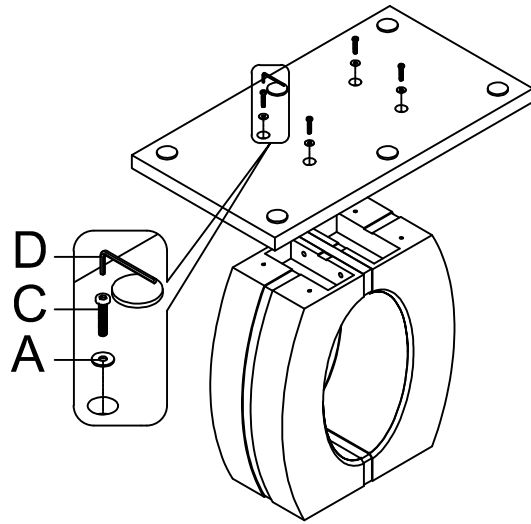


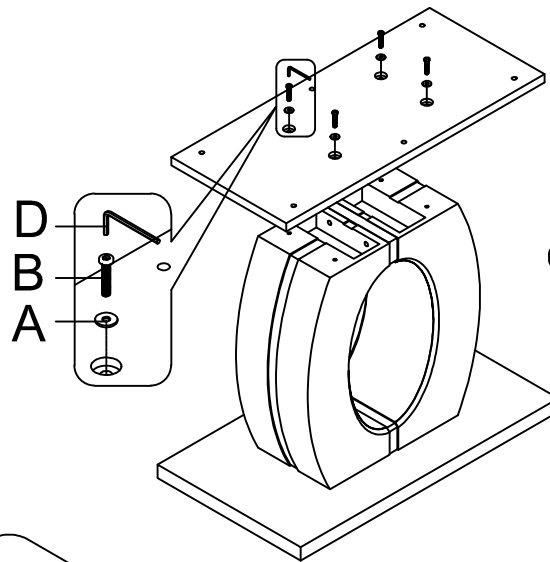
# ASSEMBLY INSTRUCTION

STEP 1

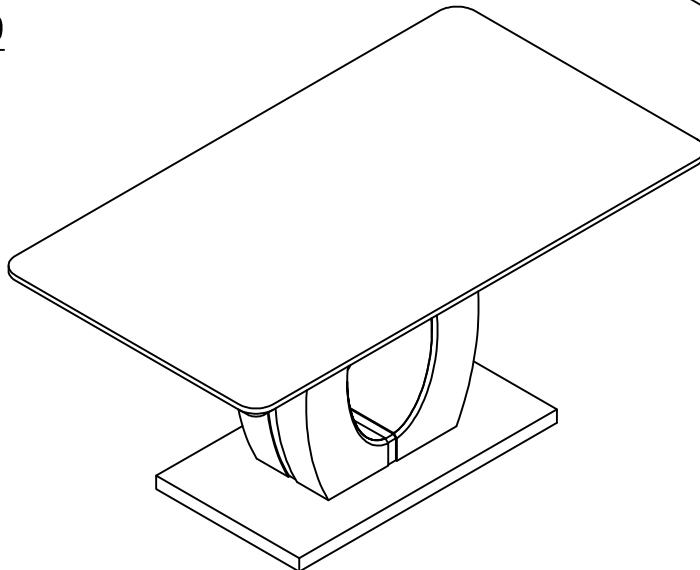
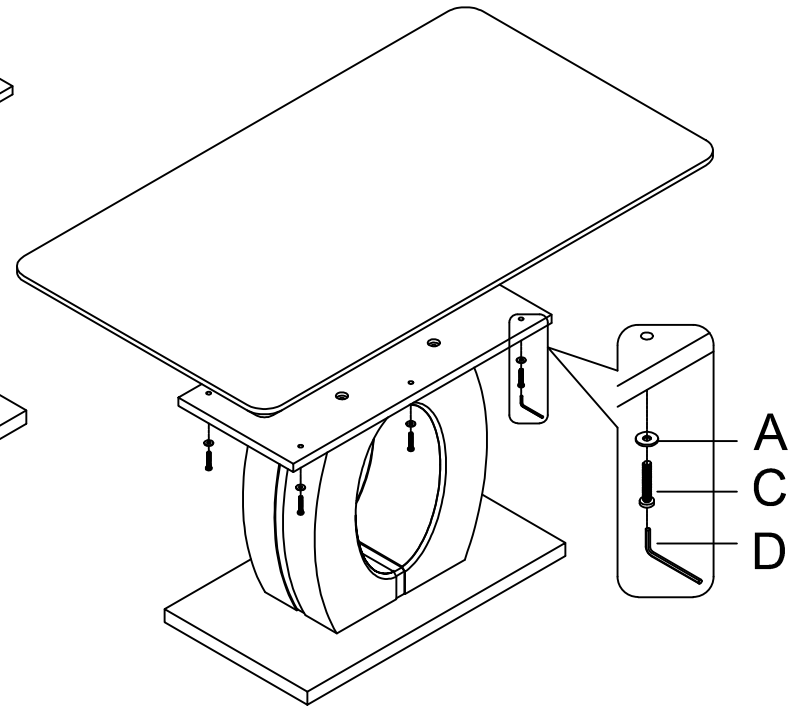






425019

STEP 2



STEP 3



|   |  |
|---|--|
| <b>A</b> <br>X14         | <b>B</b> <br>M8*40mm X4 |
| <b>C</b> <br>M8*50mm X10 | <b>D</b> <br>X1         |