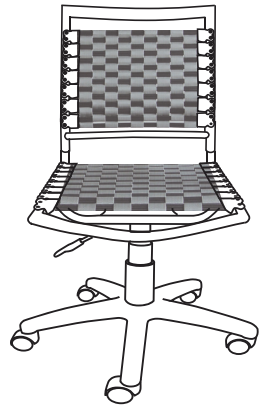
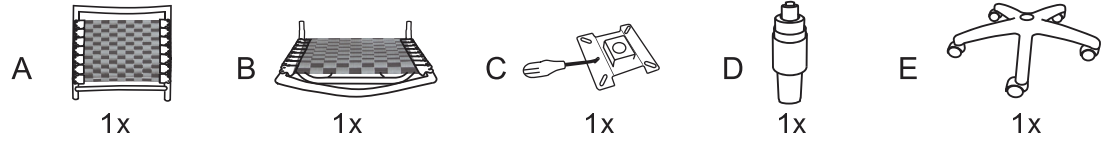


AIRWORK -16



COMPONENTS



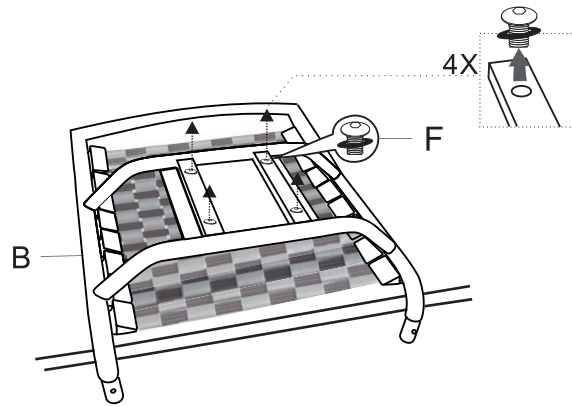
HARDWARE



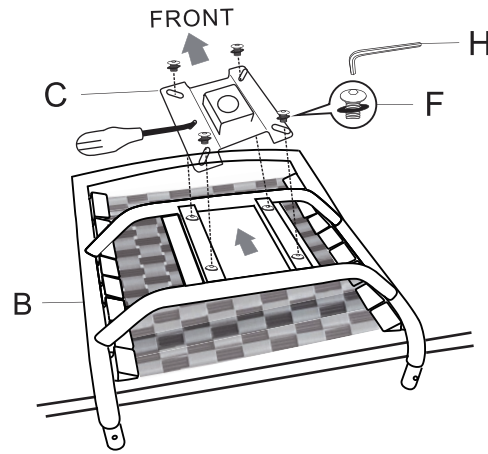
TOOLS



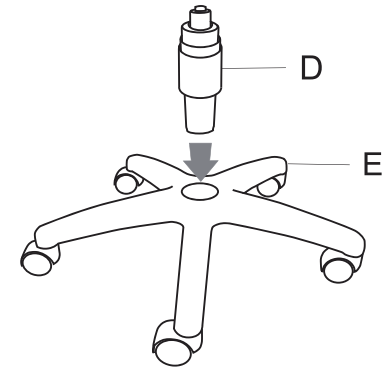
1



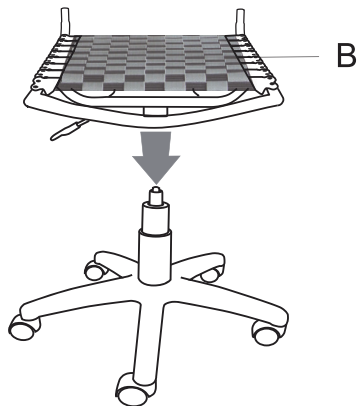
2



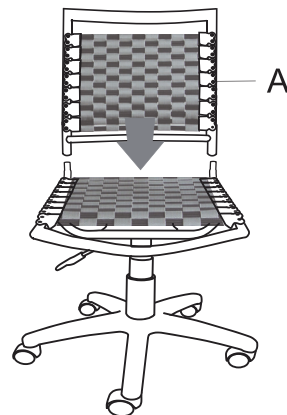
3



4



5



6

