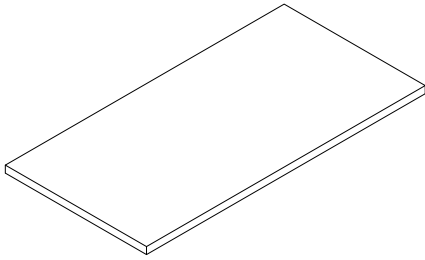
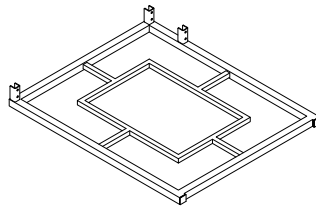


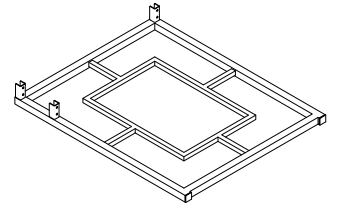
PART LIST:



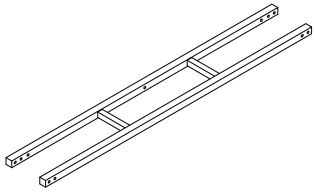
A 1 pc



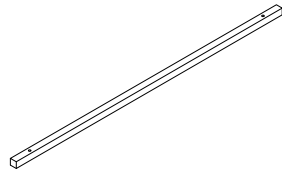
B 1 pc



C 1 pc



D 1 pc

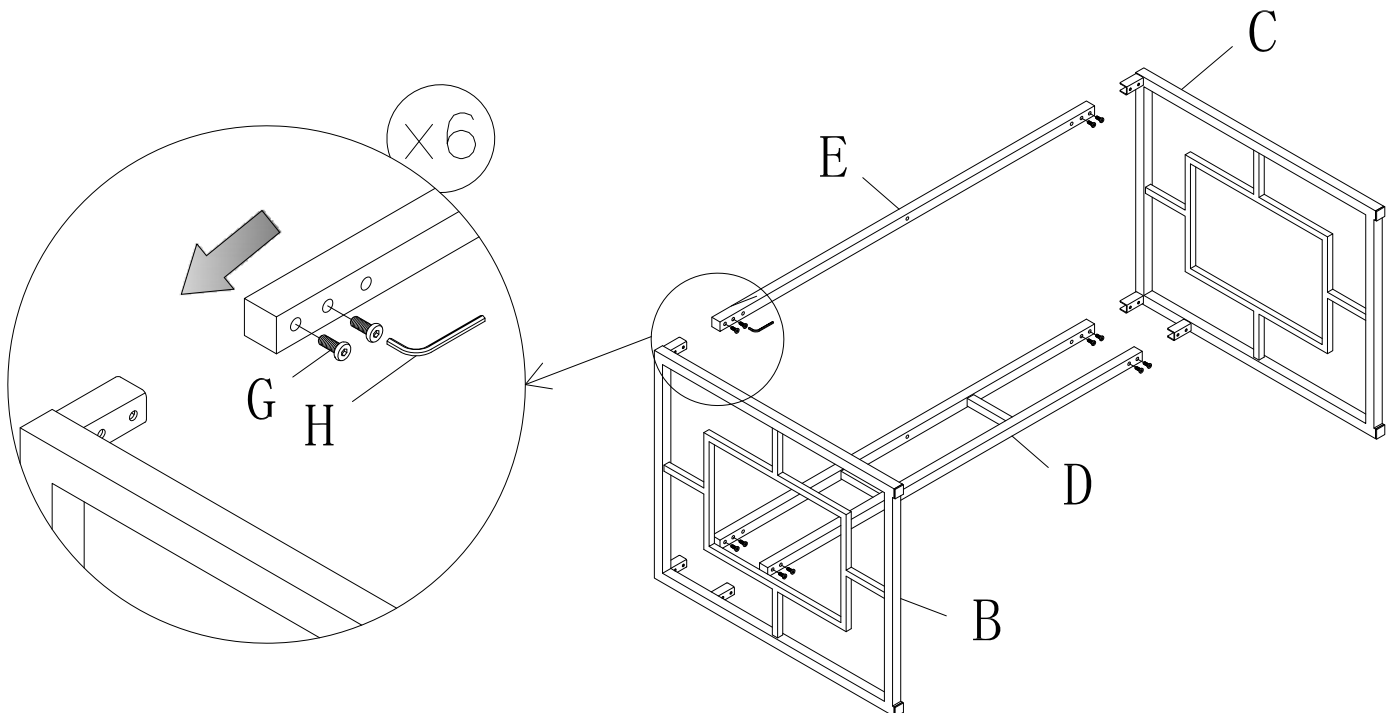


E 1 pc

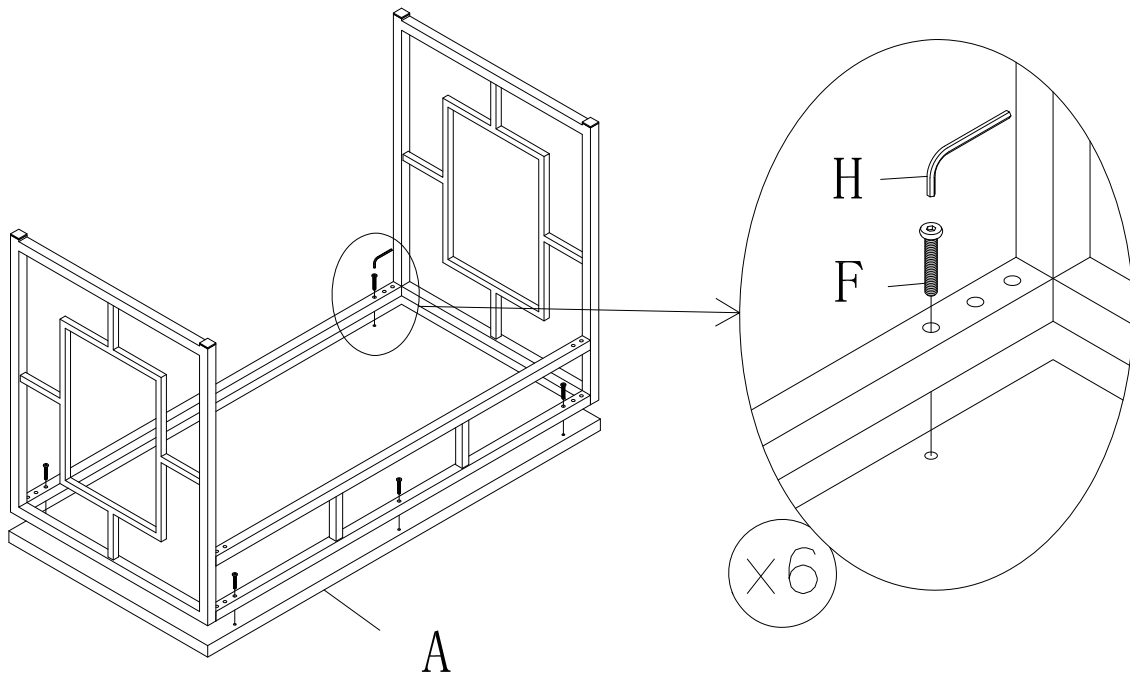
HARDWARE LIST

F		Bolt	M6*35mm	6pcs
G		Bolt	M6*12mm	12pcs
H		Allen Key	4mm	1pcs

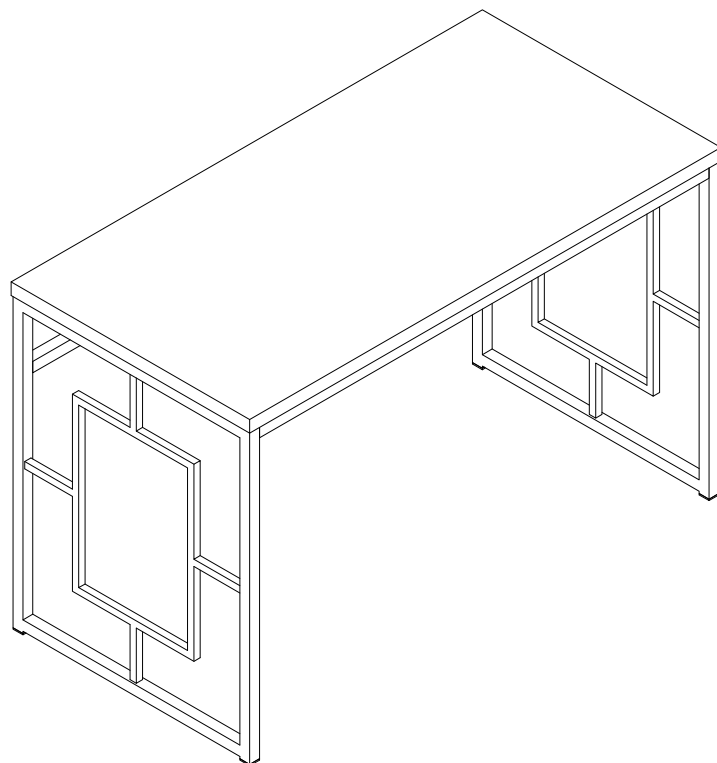
STEP 1




STEP 2



COMPLETED



 It is recommended to install protective pads under all legs and supports to avoid damage or scratches when placing furniture on a wood floor or other hard surface, and to limit indentation and prevent discoloration if placing on carpet.

DO NOT TIGHTEN BOLTS UNTIL COMPLETELY ASSEMBLED.