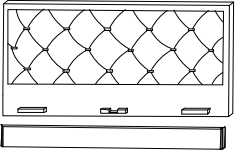
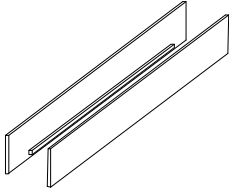
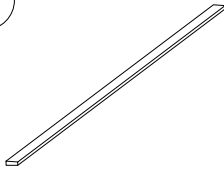

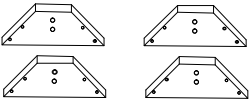
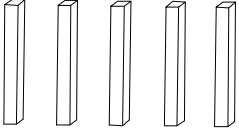
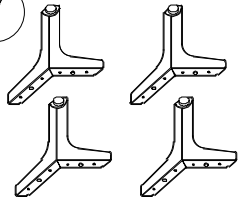


ASSEMBLY TIPS: Remove hardware from box and sort by size. Check that all hardware and parts are present before assembling. Following instruction below in proper sequence to ensure fast, easy and correct assembly.

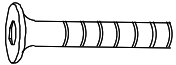
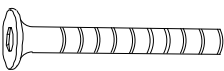
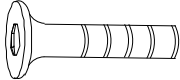
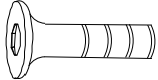
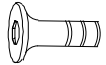
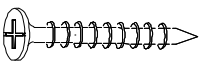
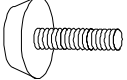





WARNING: DO NOT FULLY TIGHTEN ALL BOLTS UNTIL ALL PARTS IN PLACE, FAILURE TO FOLLOW THIS INSTRUCTION MAY CAUSE THE BOLTS TO BE MISALIGNED DURING THE ASSEMBLY.

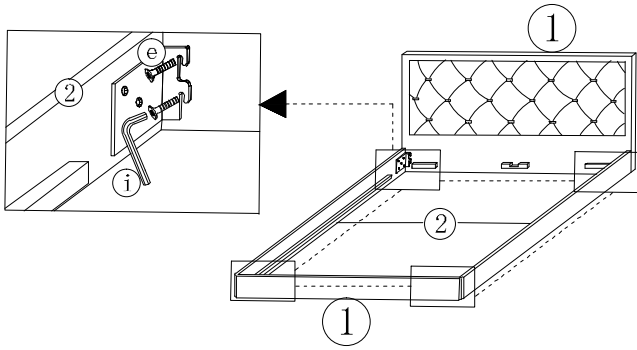
Part List

<p>1</p> 	<p>2</p> 	<p>3</p> 	<p>4</p> 
<p>Headboard &amp; Footboard</p>	<p>Side Rail</p>	<p>Center Rail</p>	<p>Slat</p>
<p>5</p> 	<p>6</p> 	<p>7</p> 	
<p>Corner Bar</p>	<p>Center Support Leg</p>	<p>Bed Leg</p>	

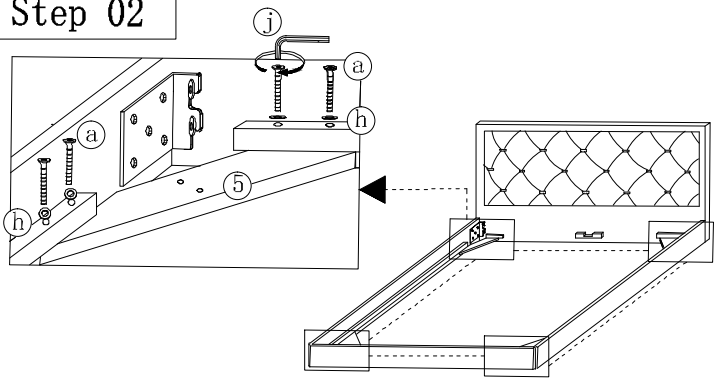
Hardware List

<p>a</p>  <p>X16</p>	<p>b</p>  <p>X5</p>	<p>c</p>  <p>X2</p>	<p>d</p>  <p>X8</p>
<p>JCBC M6 X 50 MM</p>	<p>JCBC M6 X 60 MM</p>	<p>JCBC M6 X 30 MM</p>	<p>JCBC M6 X 20 MM</p>
<p>e</p>  <p>X8</p>	<p>f</p>  <p>X26</p>	<p>g</p>  <p>X5</p>	<p>h</p>  <p>X16</p>
<p>JCBB M8 X 16 MM</p>	<p>CSK M4 X 30 MM</p>	<p>Adjuster Screw</p>	<p>Flat Washer M6</p>
<p>i</p>  <p>X1</p>	<p>j</p>  <p>X1</p>		
<p>Allen Key M5</p>	<p>Allen Key M4</p>		

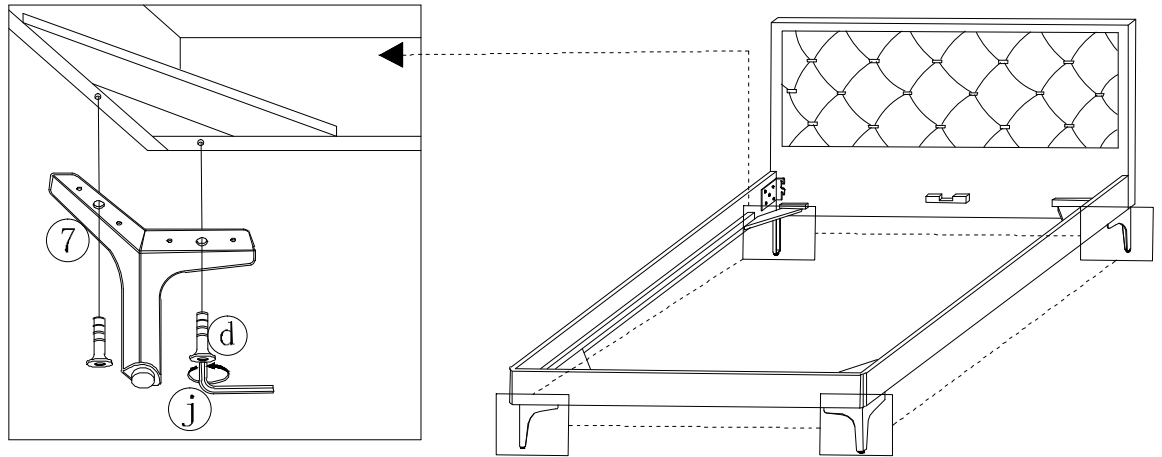
Step 01



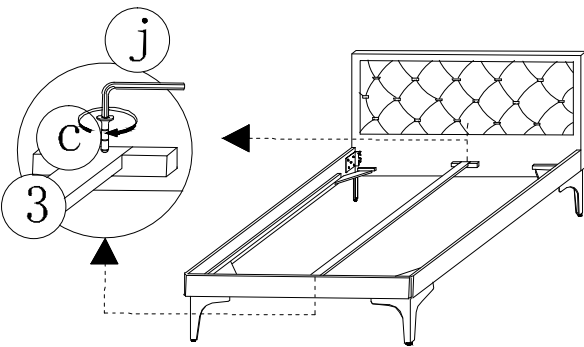
Step 02



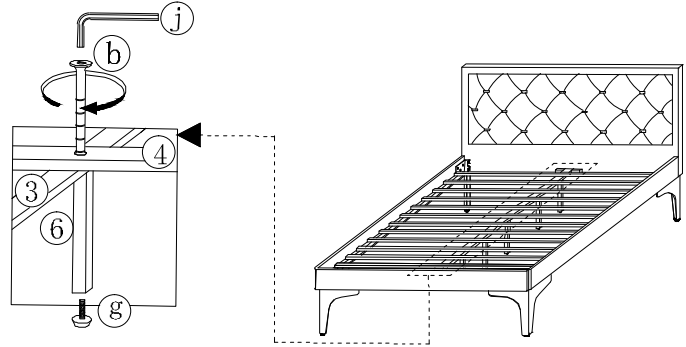
Step 03



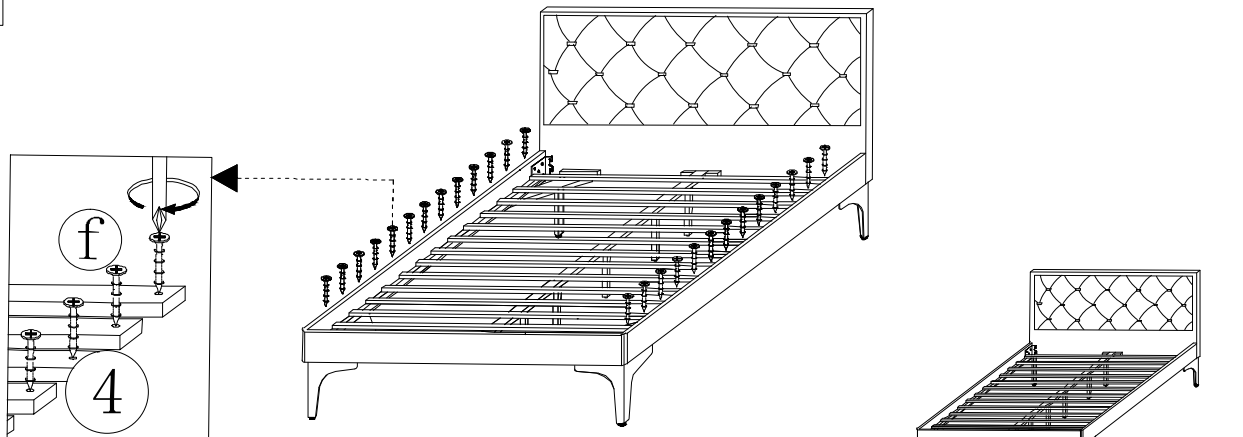
Step 04



Step 05



Step 06



COMPLETED  
ASSEMBLY