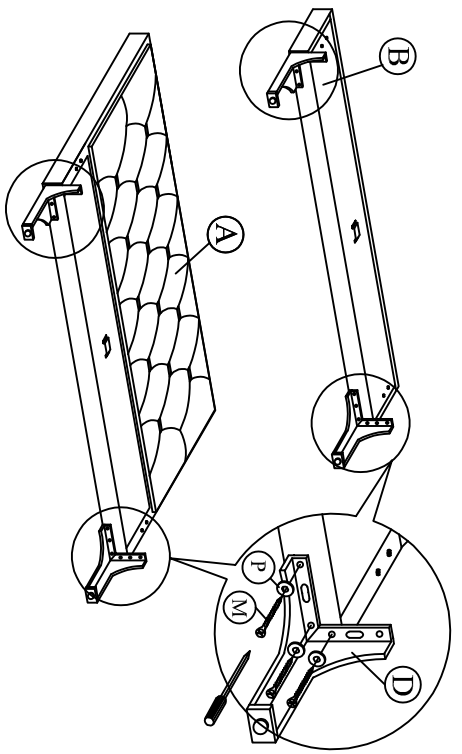


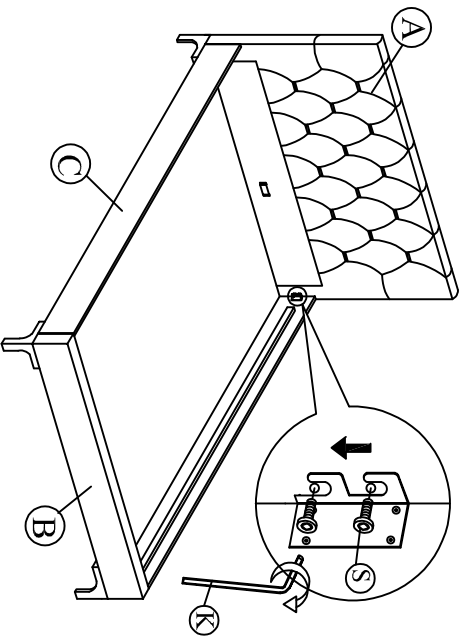
ASSEMBLY INSTRUCTION

MODEL : GASHINA CF 9217
(46°)

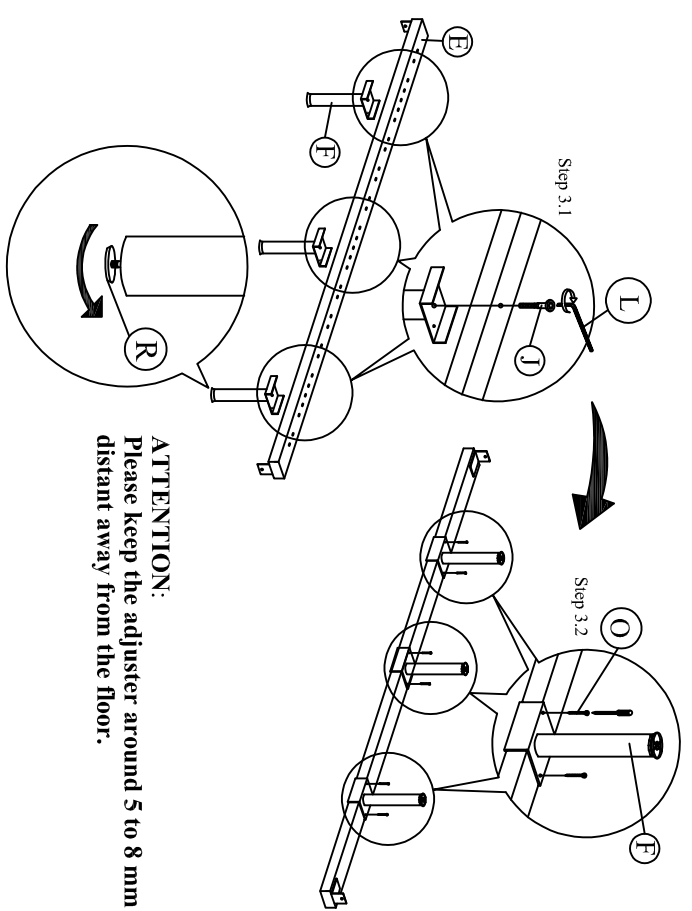
Step 1: Tighten the legs (D) to both headboard (A) and footboard (B) as shown.



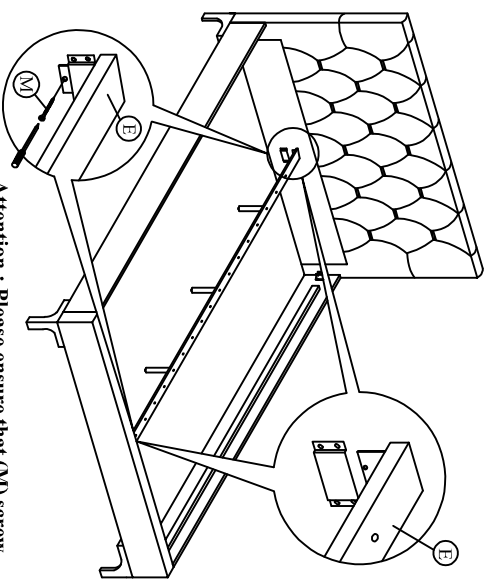
Step 2: Attach side rail (C) to headboard (A) and footboard (B) by pushing the bracket down to fit it.



Step 3: Attach the support legs (F) to the center rail (E) of the bed as shown.



Step 4: Slide the center rail (E) to the headboard (A) and footboard (B). Tighten screws (M) using screw driver (not included) to the headboard (A) and footboard (B).



ATTENTION:
Please keep the adjuster around 5 to 8 mm distant away from the floor.

Attention : Please ensure that (M) screw is being attach as per the A.1 shown to avoid base being collapse.

A	Headboard	1 pc
B	Footboard	1 pc
C	Side Rail	2 pcs
D	Legs	4 pcs
E	Center Rail	1 pc
F	Support Leg	3 pcs
G	Slat	26 pcs
H	Middle Holder	13 pcs
I	End Holder	26 pcs
J	JCBC M6 X 40	3 pcs
K	M5 x 70mm	1 pc
L	M4 x 65mm	1 pc
M	CSK M4 x 25mm	14 pcs
N	CSK M4 x 32mm	6 pcs
O	CSK M4 x 16mm	6 pcs
P	Flat Washers	12 pcs
Q	Stiffener Slat (3 Holes)	2 pcs
R	Adjuster	3 pcs
S	JCBC M4 X 20	8 pcs

Step 5: Affix the Stiffener Slat (Q) to the side rail support wood and the center rail (E) . Tighten all the 4 corner ,follow by assembly of the slat holders with LVL slats as shown.

