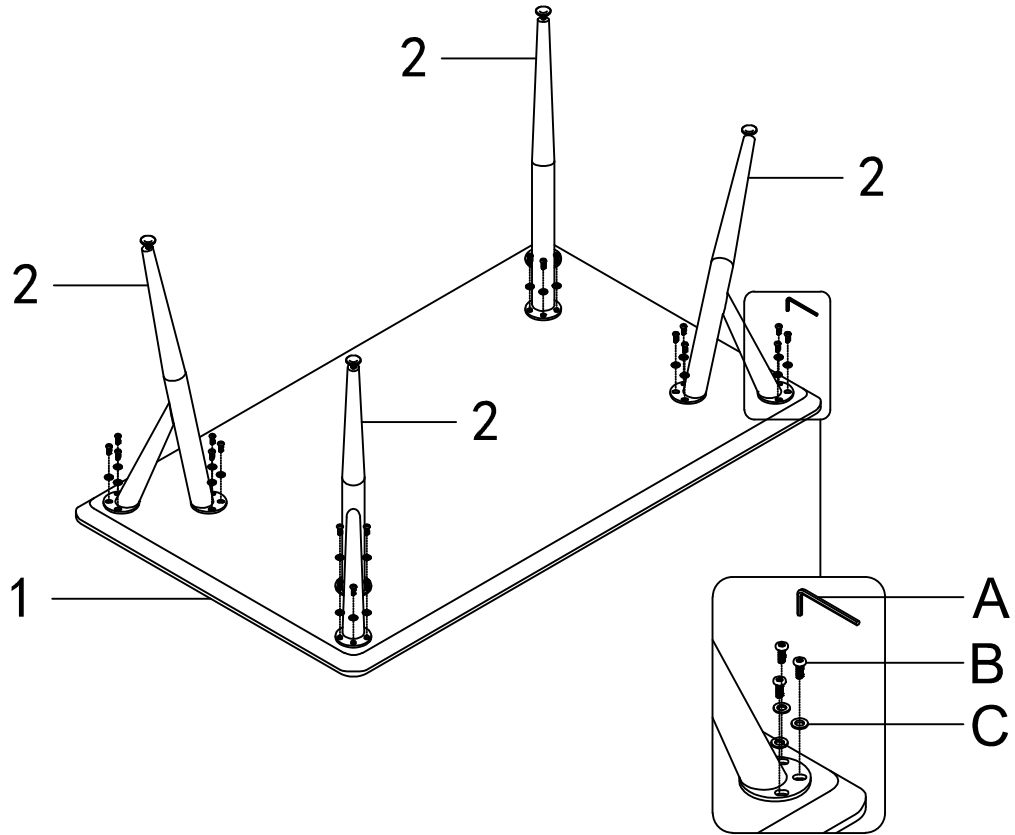
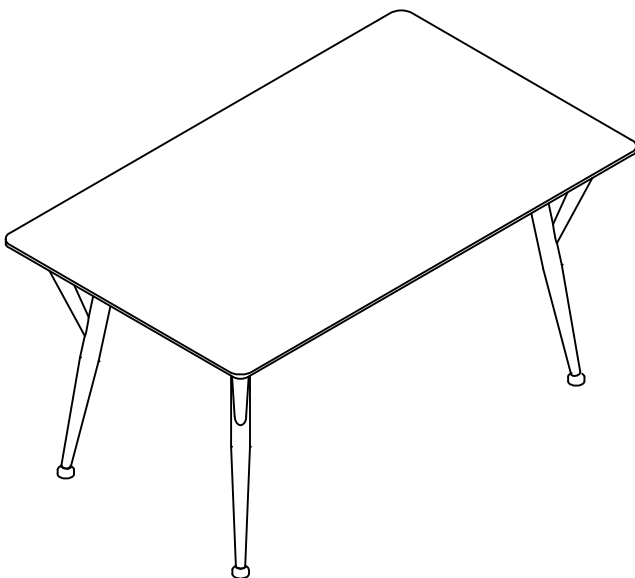


# ASSEMBLY INSTRUCTION

Step 1:



Finished



425015/425022

**PART LIST:**

No.	Description	Diagram	Quantity
1	MDF Top		1
2	Table Legs		4

**HARDWARE LIST:**

No.	Description	Diagram	Size	Quantity
A	Allen key		M5	1
B	Bolt		M8*20mm	24
C	Flat washer		φ16*9mm	24