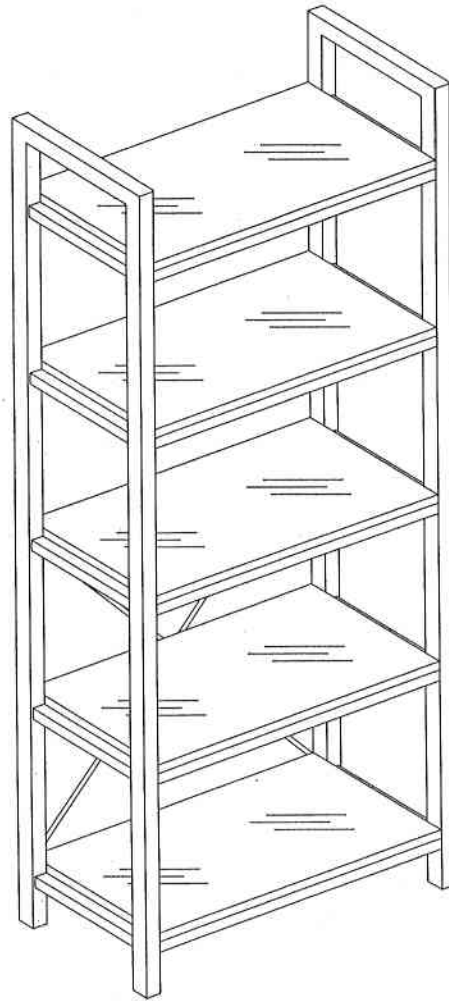
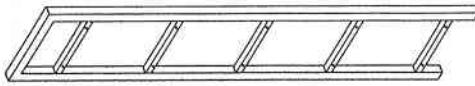


ASSEMBLY INSTRUCTION

S Unit 205.

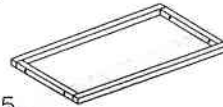


A (L&R)



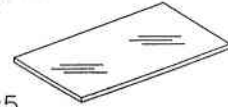
x2

C



x5

D



x5

B



x2

E



x20

F



x5

G



x1

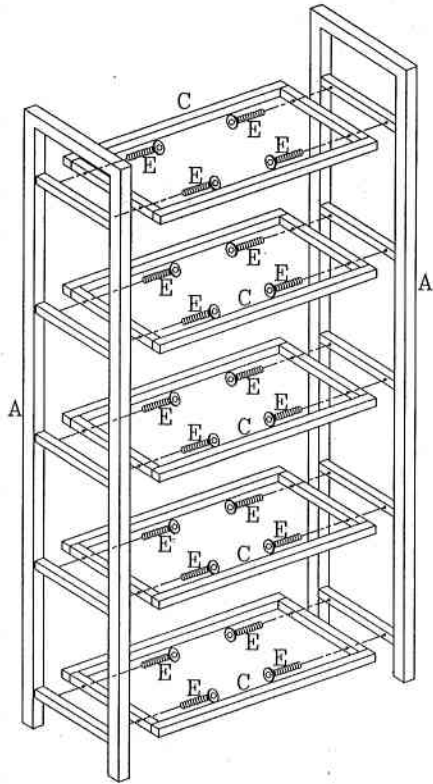
H



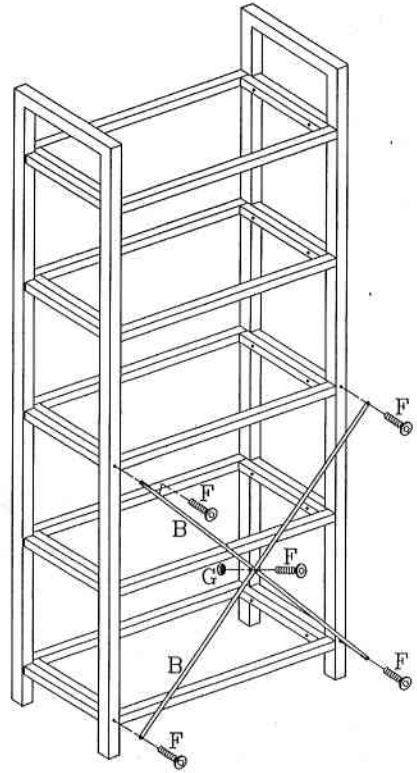
x30



1



2



3

