
















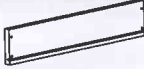








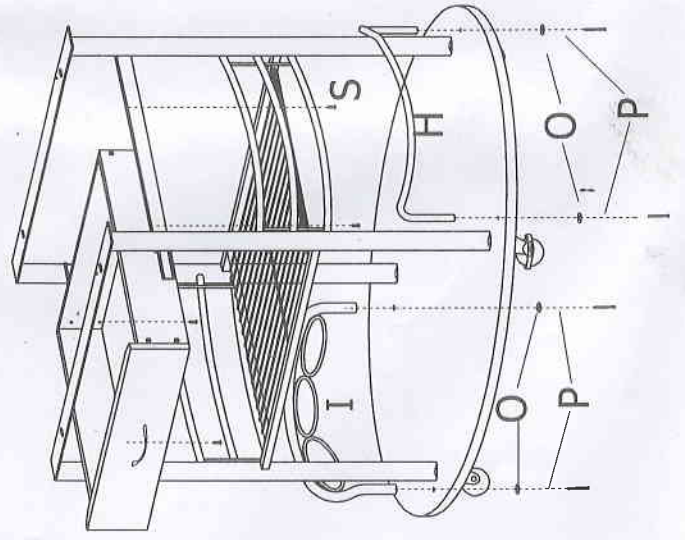
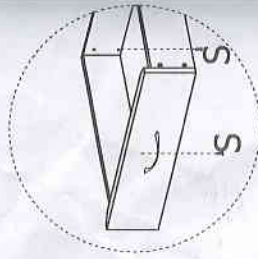
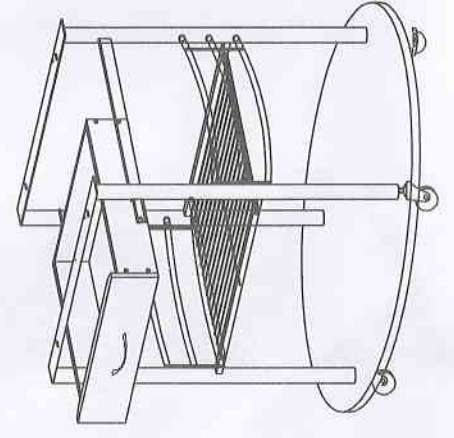
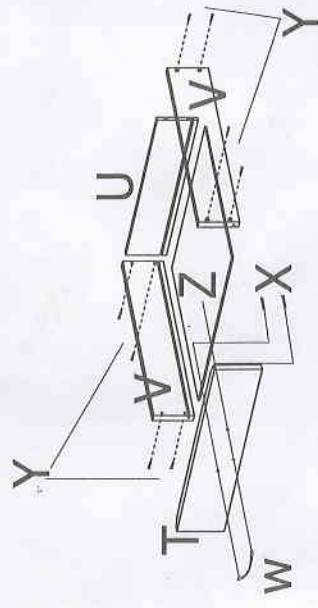


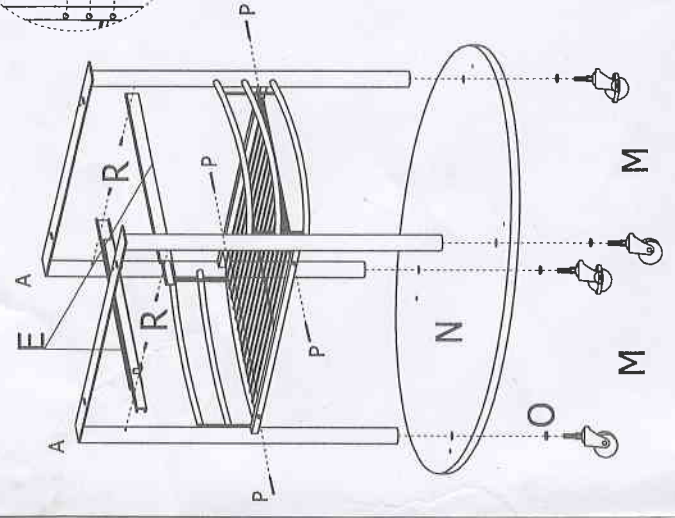
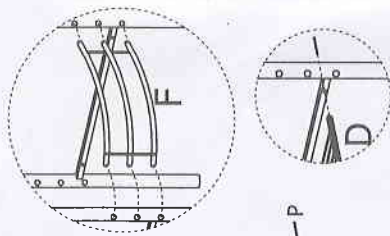
NO	PARTS	QTY	NO	PARTS	QTY
A		2	M		2
			N		1
B		1	O		10
C		1	P	 1/4 X 35mm	10
			Q	 1/4 X 12mm	4
D		1	R	 3/16 X 3/8	4
E		1	S	 4 X 10mm	9
F		2	T		1
G		1	U		1
H		1	V		2
I		1	W		1
J		1	X		2
K		1	Y		8
			Z		1
L		1			



STEP3

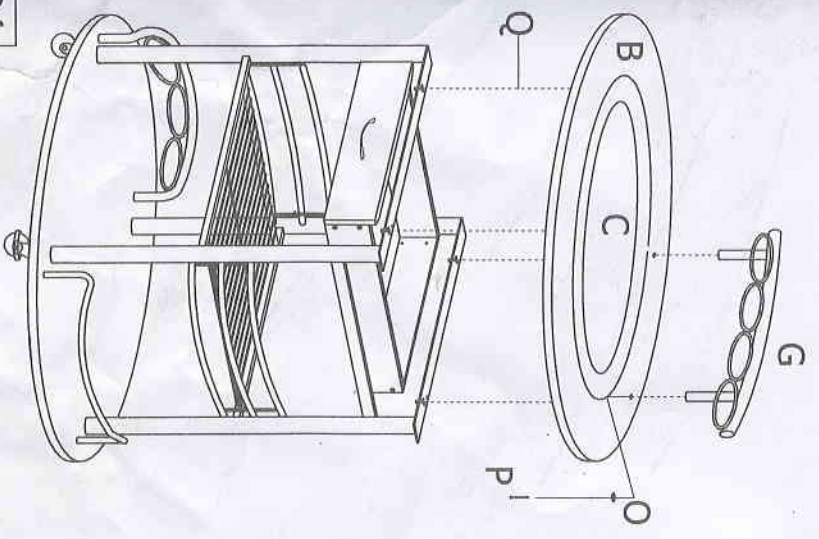


STEP2

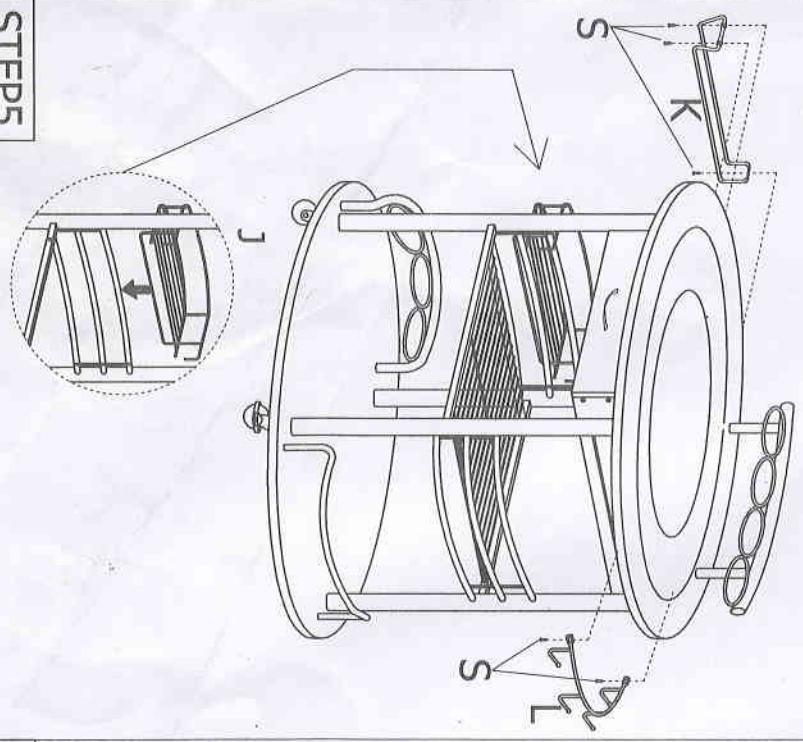


STEP1

EP4



STEPS



FINISH FIGURE

