

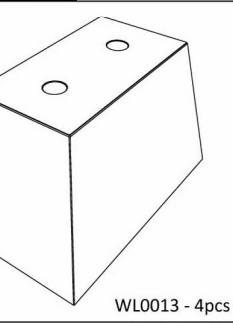
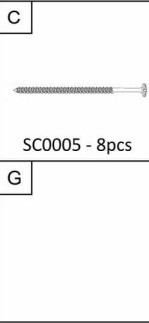
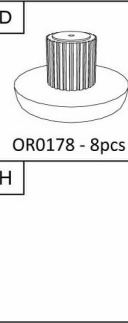
ASSEMBLY INSTRUCTION

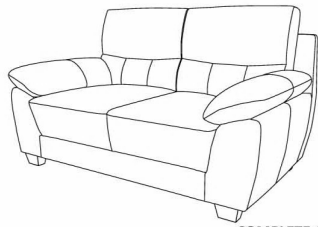
MODEL : RENZO LOVE SEAT (2S)

Thank you for purchasing this quality product. Be sure to lay all components on a soft surface before assembly in order to avoid component from being scratched.

- CAUTIONS :**
1. Check contents against list for quantity
 2. Familiarize yourself with the components and hardware by reviewing the Assembly Instructions.
 3. Do not over tighten the screws and bolts as it may damage the threads.
 4. Keep all hardware parts out of the reach of children

PART LIST :

 WL0013 - 4pcs	B	 SC0005 - 8pcs	 OR0178 - 8pcs	E	F
	G	H	I	J	



COMPLETE ASSEMBLY

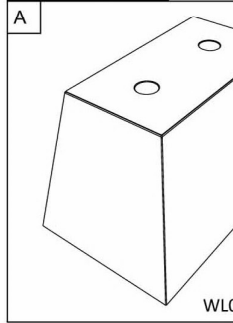
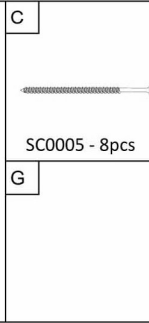
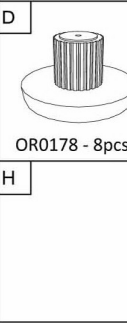
ASSEMBLY INSTRUCTION

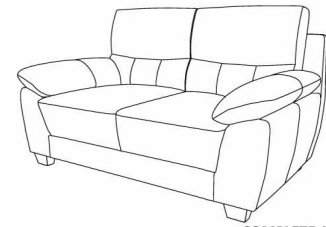
MODEL : RENZO LOVE SEAT (2S)

Thank you for purchasing this quality product. Be sure to lay all components on a soft and clean surface before assembly in order to avoid component from being scratched.

- CAUTIONS :**
1. Check contents against list for quantity
 2. Familiarize yourself with the components and hardware by reviewing the Assembly Instructions.
 3. Do not over tighten the screws and bolts as it may damage the threads.
 4. Keep all hardware parts out of the reach of children

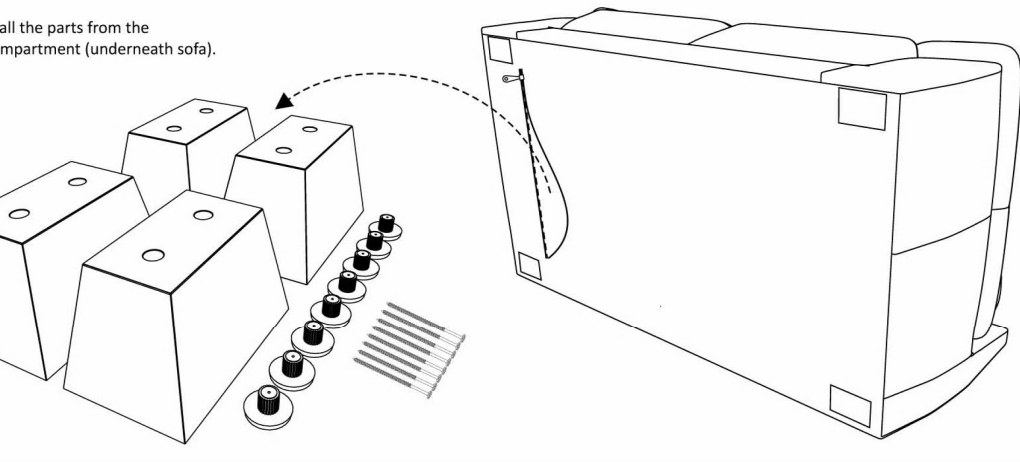
PART LIST :

 WL0013 - 4pcs	B	 SC0005 - 8pcs	 OR0178 - 8pcs	E	F
	G	H	I	J	



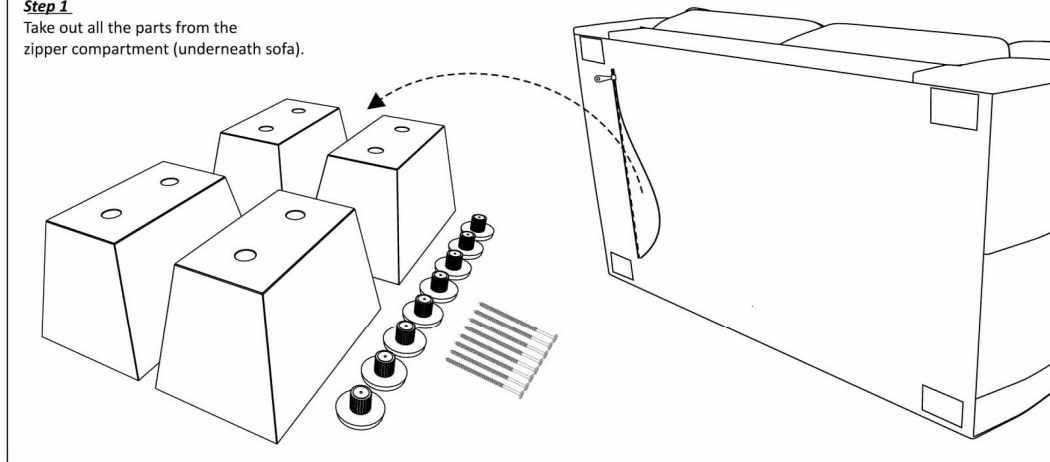
COMPLETE ASSEMBLY

Take out all the parts from the zipper compartment (underneath sofa).

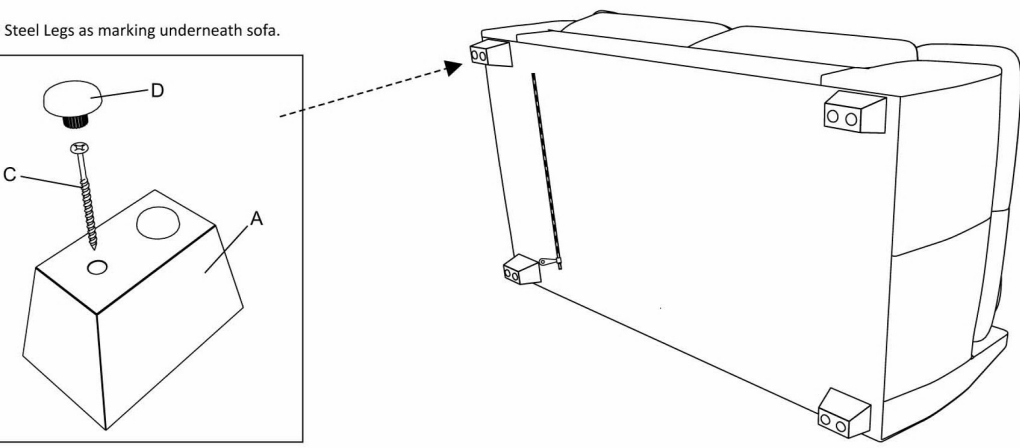


Step 1

Take out all the parts from the zipper compartment (underneath sofa).



Place the Steel Legs as marking underneath sofa.



Step 2

Place the Steel Legs as marking underneath sofa.

