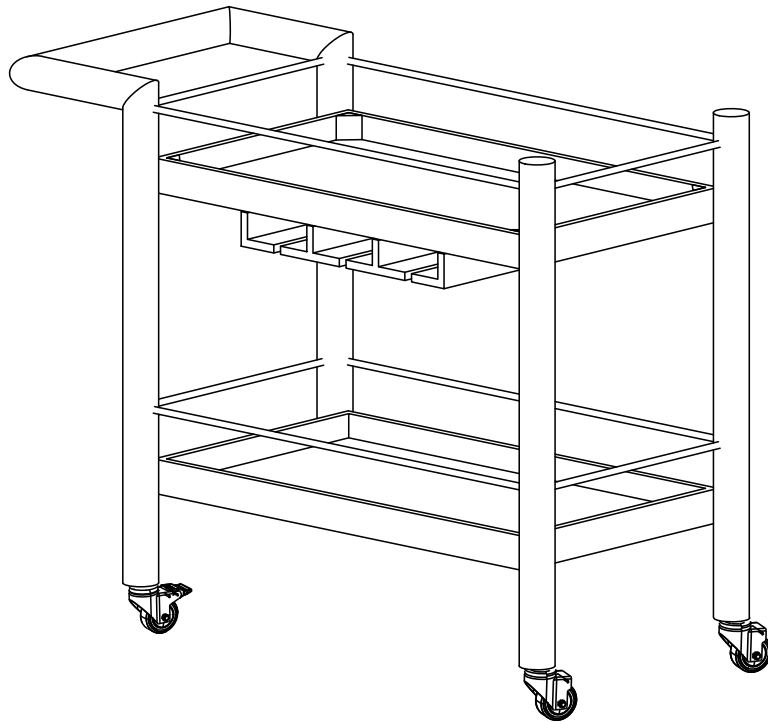


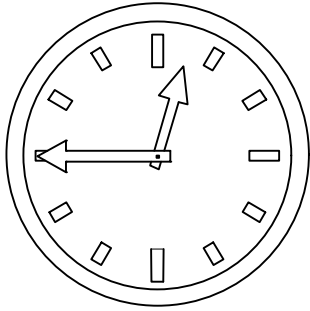
Assembly Instructions

3715017 - Bar Cart

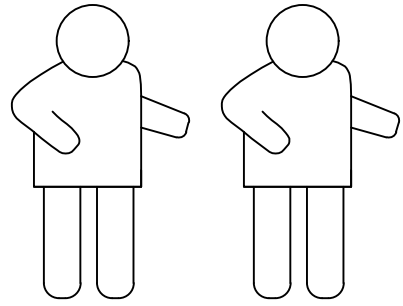
**Product Issues? Please Call Us Before Contacting Your Retailer At
1-800-549-3300, customerservice@mshome.co or visit mshome.co
We can help with Assembly Issues, Part Requests, Damages, & All Other
Product Related Questions**



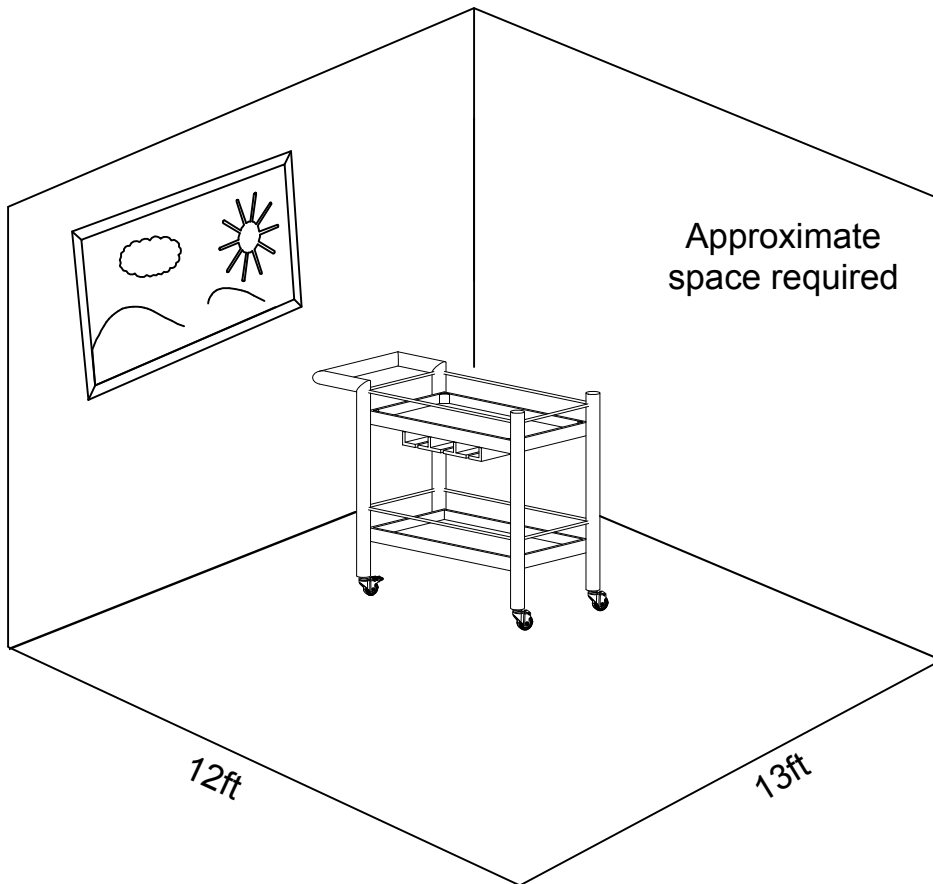
MSH-USA



10 min



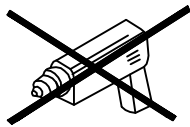
Two People Required



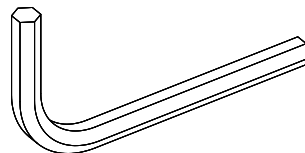
Approximate
space required

12ft

13ft



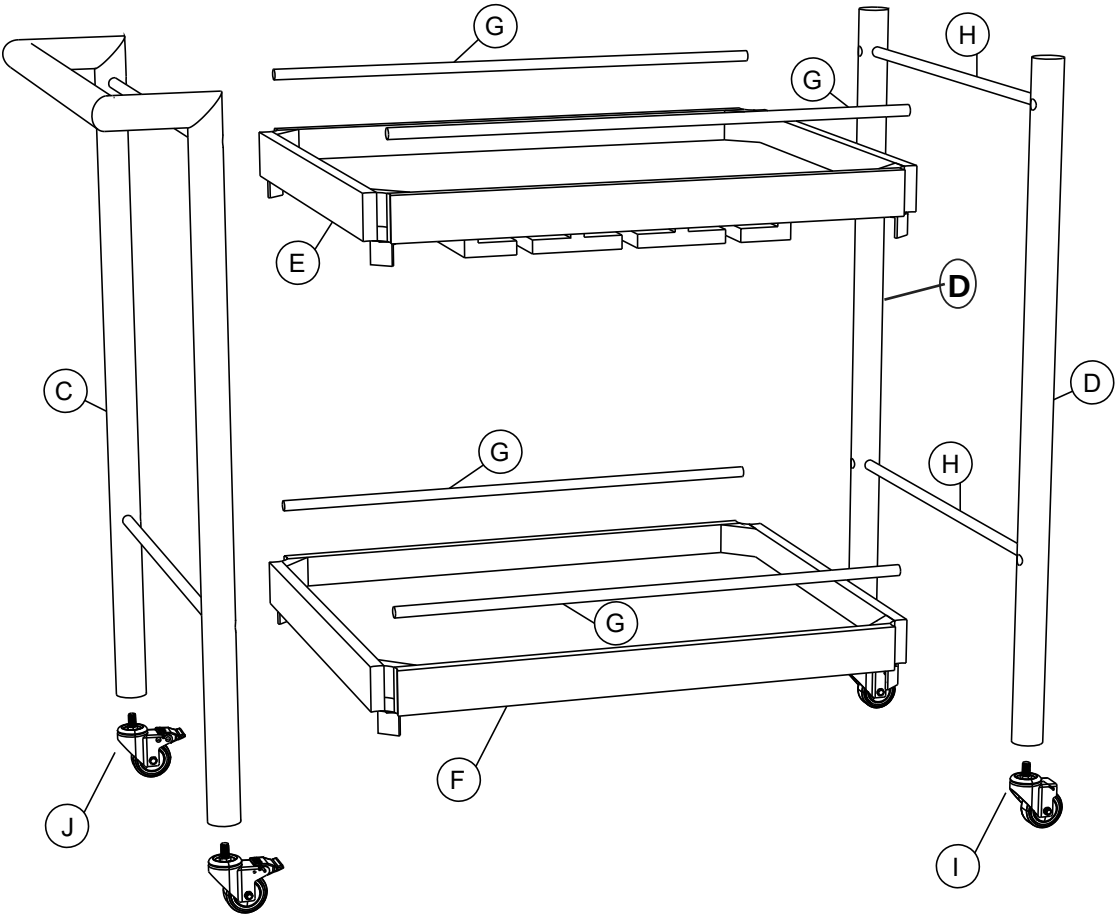
Do not use power tools



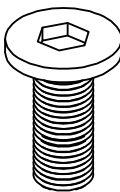
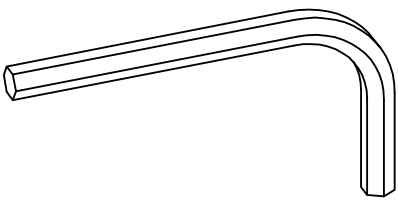
ALLEN KEY

Replacement Parts:

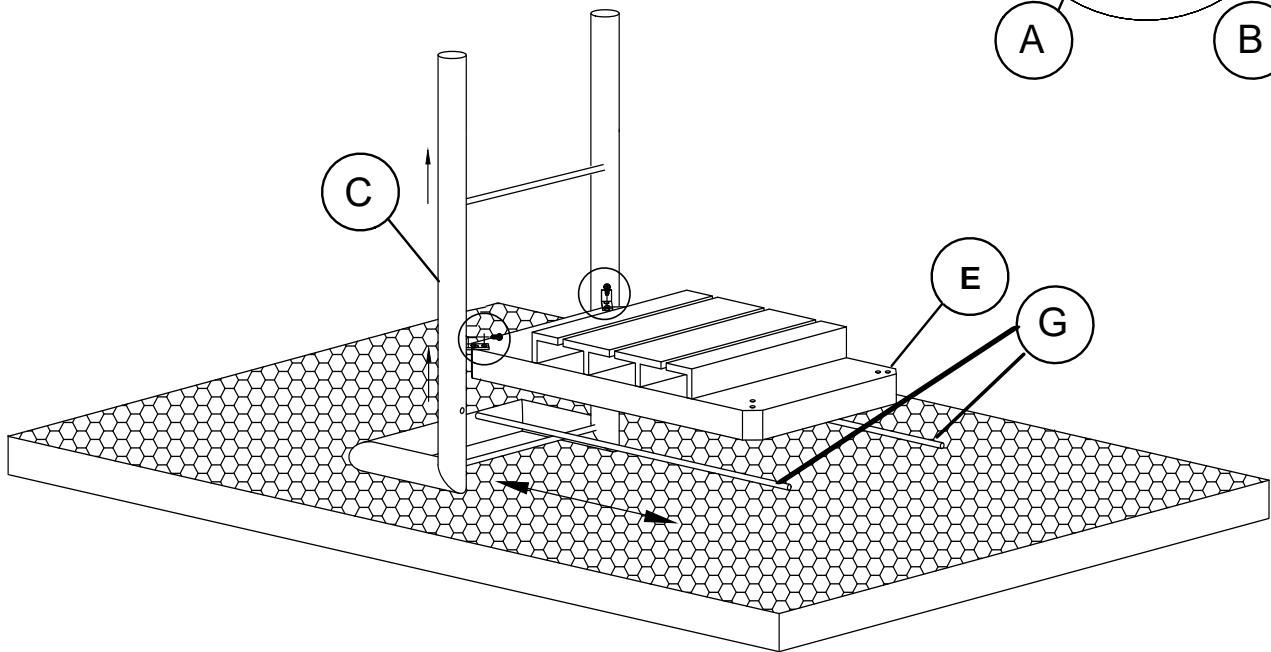
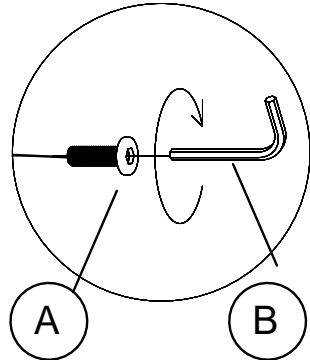
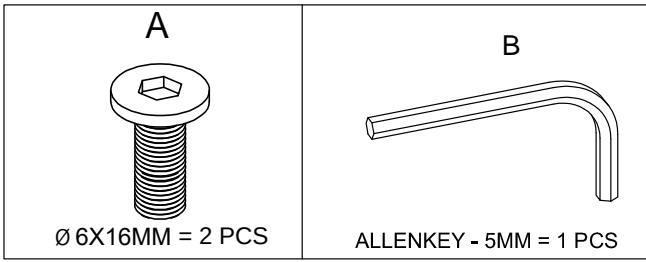
- Part C – End Frame X 1
- Part D – End Frame X 2
- Part E – Top Shelf X 1
- Part F – Bottom Shelf X 1
- Part G – Side Rail x 4
- Part H – End Rail x 2
- Part I – Casters x 2
- Part J- Locking casters x 2



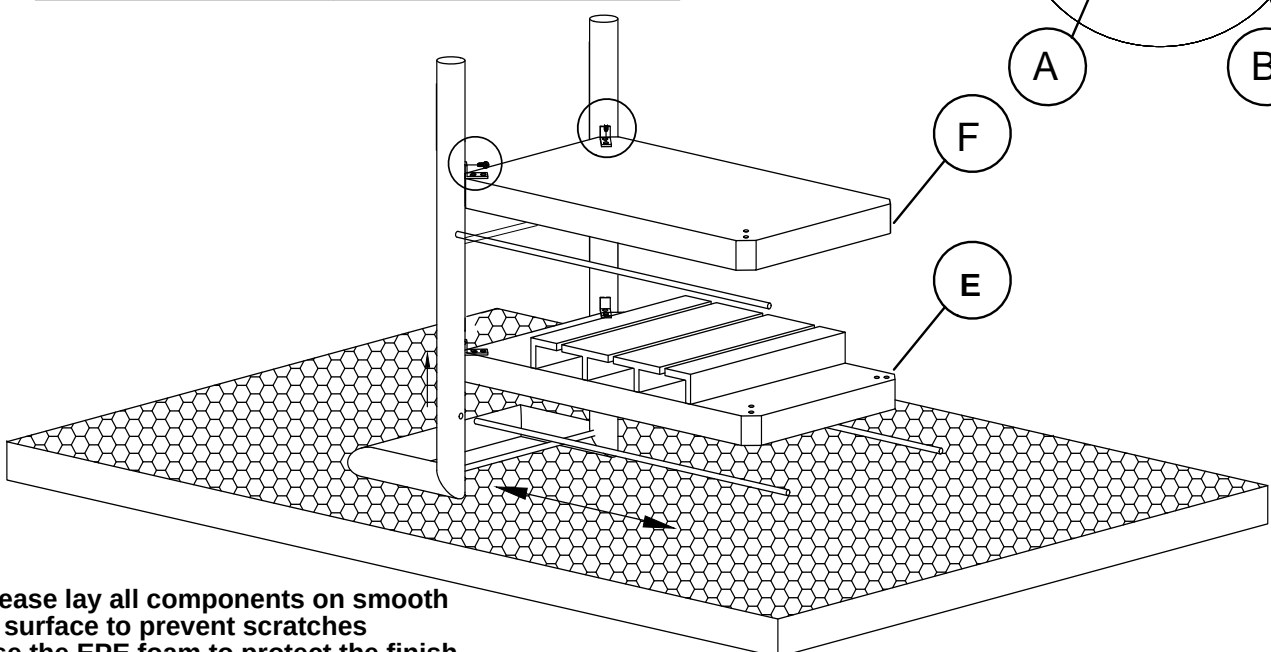
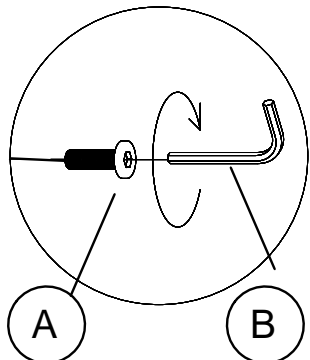
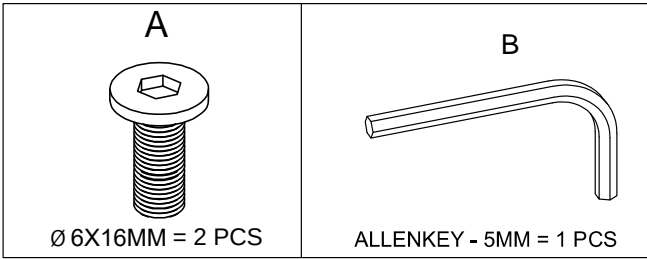
Hardware Pack:

<p>A</p>  <p>Ø 6X16MM = 8 PCS</p>	<p>B</p>  <p>ALLENKEY - 5MM = 1 PCS</p>
---	--

1

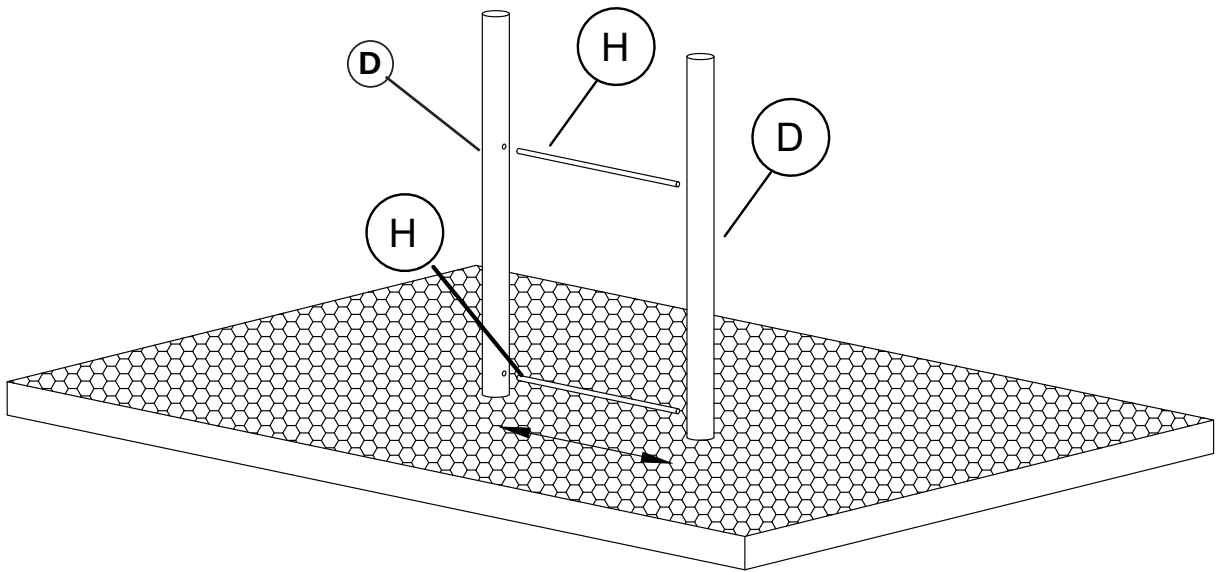


2



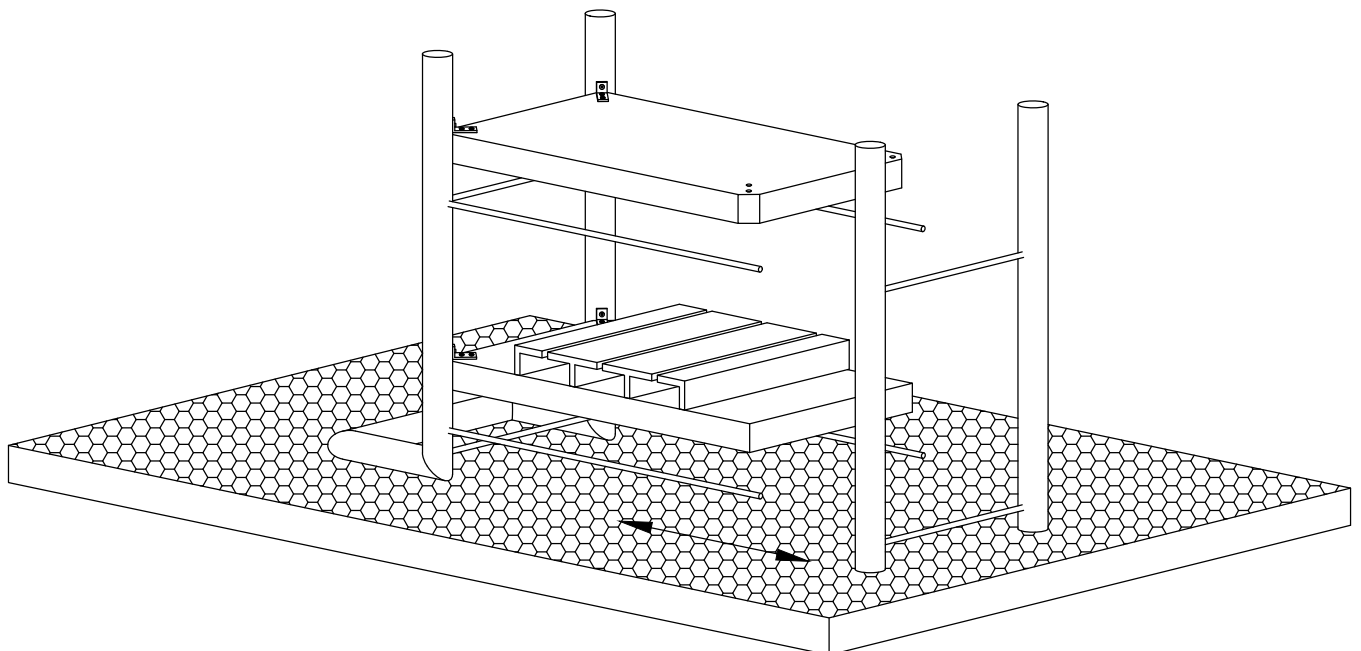
- Please lay all components on smooth flat surface to prevent scratches
- Use the EPE foam to protect the finish before assembly

3

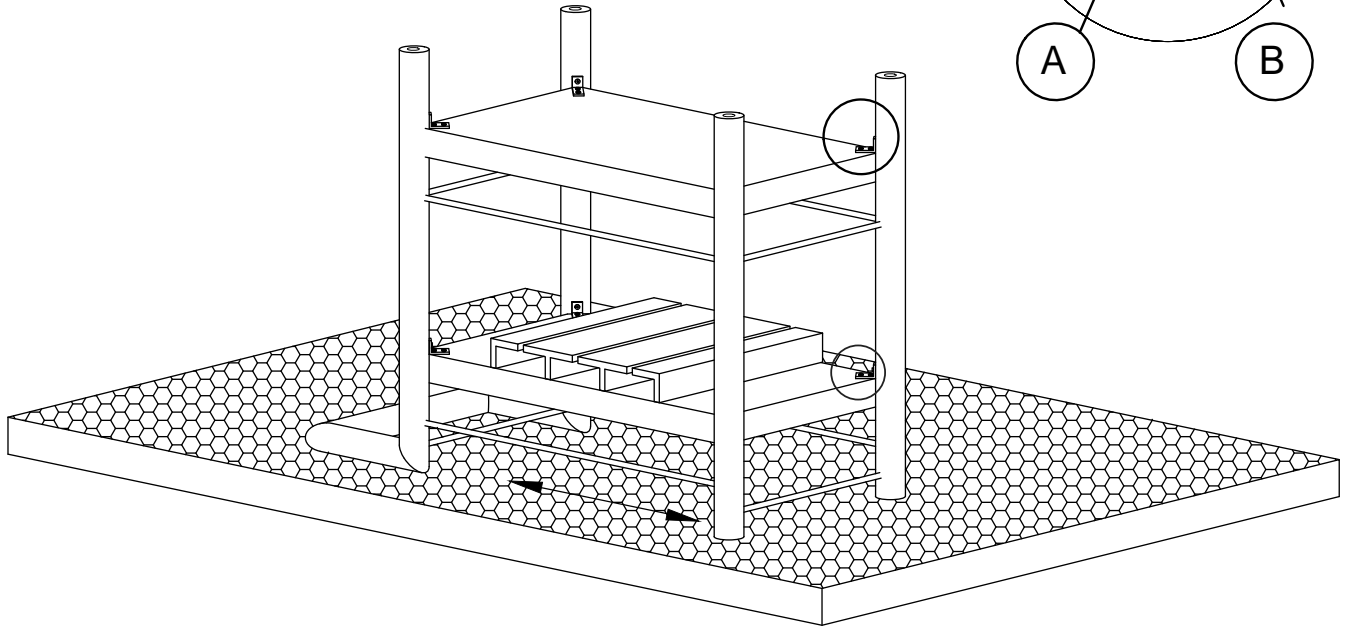
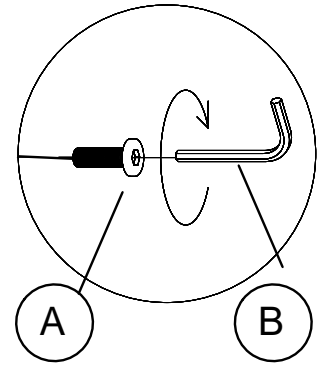
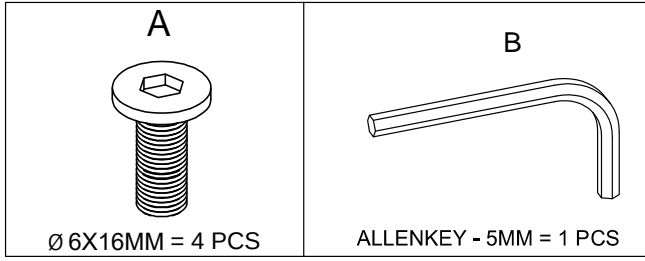


- Insert H part in the D at Marked Hole
- Remove Marking Sticker © After Final Assembly

4



5



6

