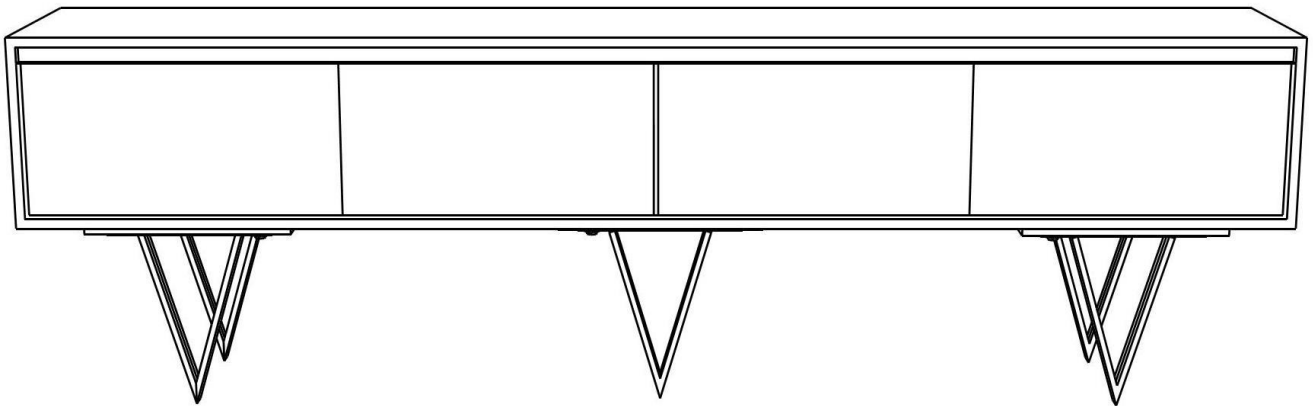


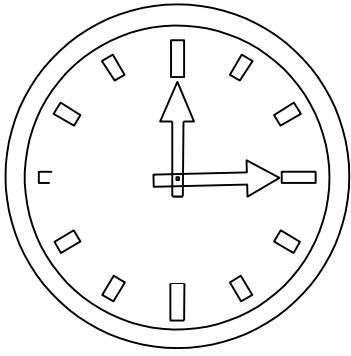
# Assembly Instructions

## 9713337 TV Stand

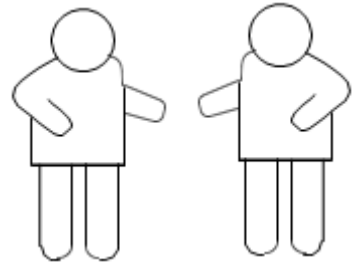
Product Issues? Please Call Us Before Contacting Your Retailer At  
1-800-549-3300, email [customerservice@mshome.co](mailto:customerservice@mshome.co), or visit [www.mshome.co](http://www.mshome.co)  
We can help with Assembly Issues, Part Requests, Damages, & All Other  
Product Related Questions



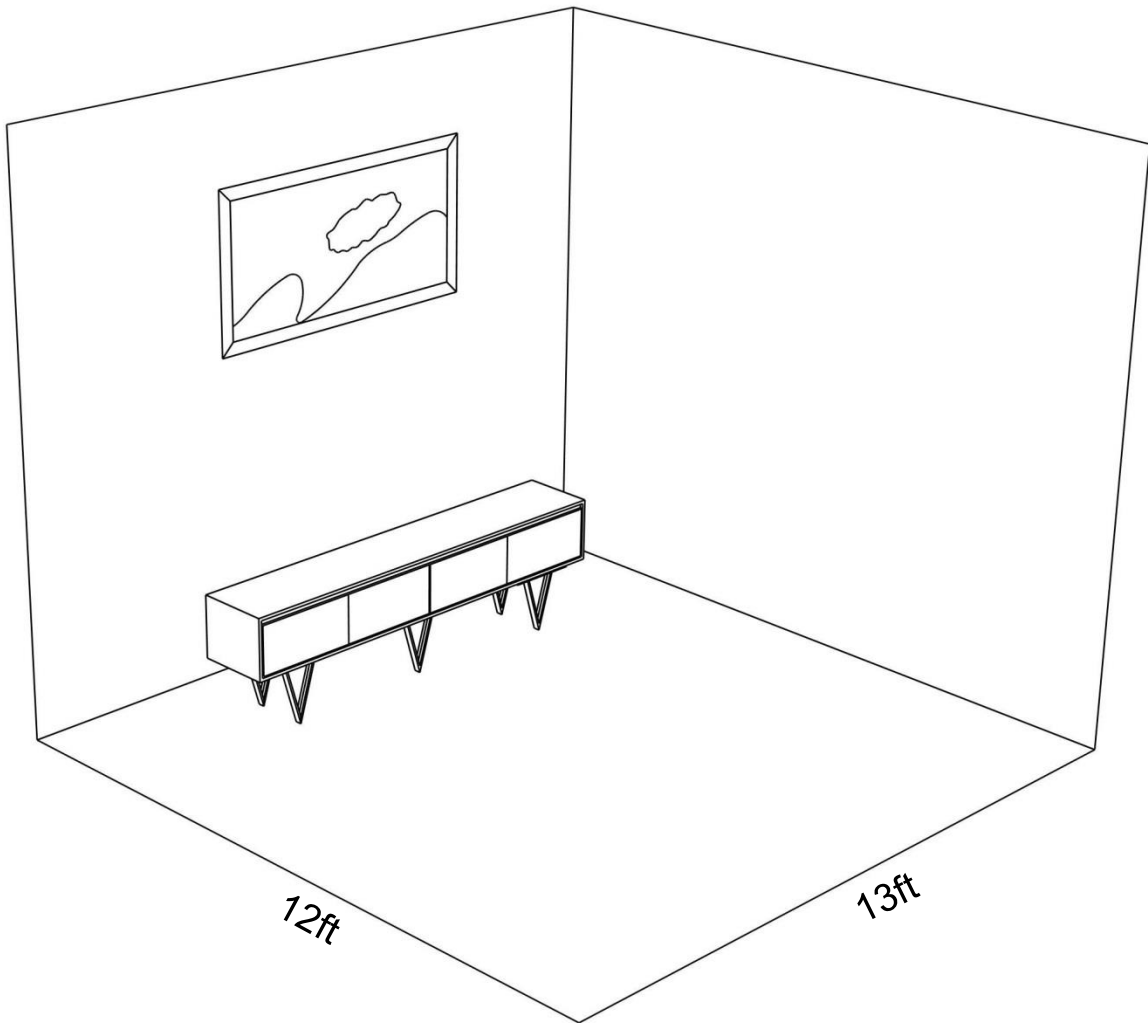
MSH-USA



15 min



Two People Required



## Replacement Parts:

C1 - Legs x 5

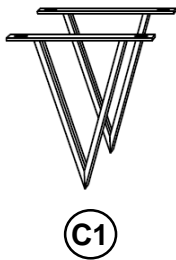
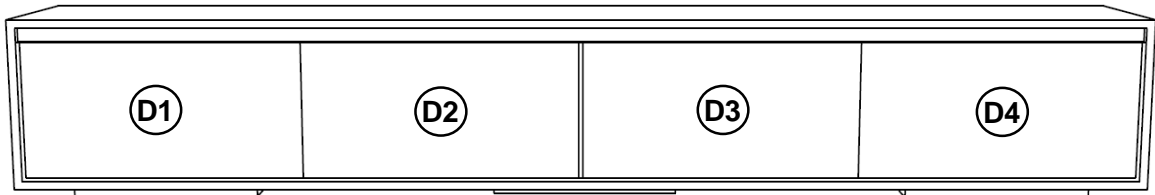
C2 - Body x 1

D1 - Door 1

D2 - Door 2

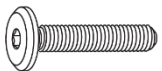
D2 - Door 3

D2 - Door 4



## Hardware Pack:

**A**



Ø8x25 (mm) 10pcs

**B**



Ø10x16 (mm) 10pcs

**C**



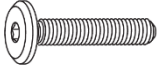

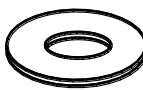

Ø10x25 (mm) 10pcs

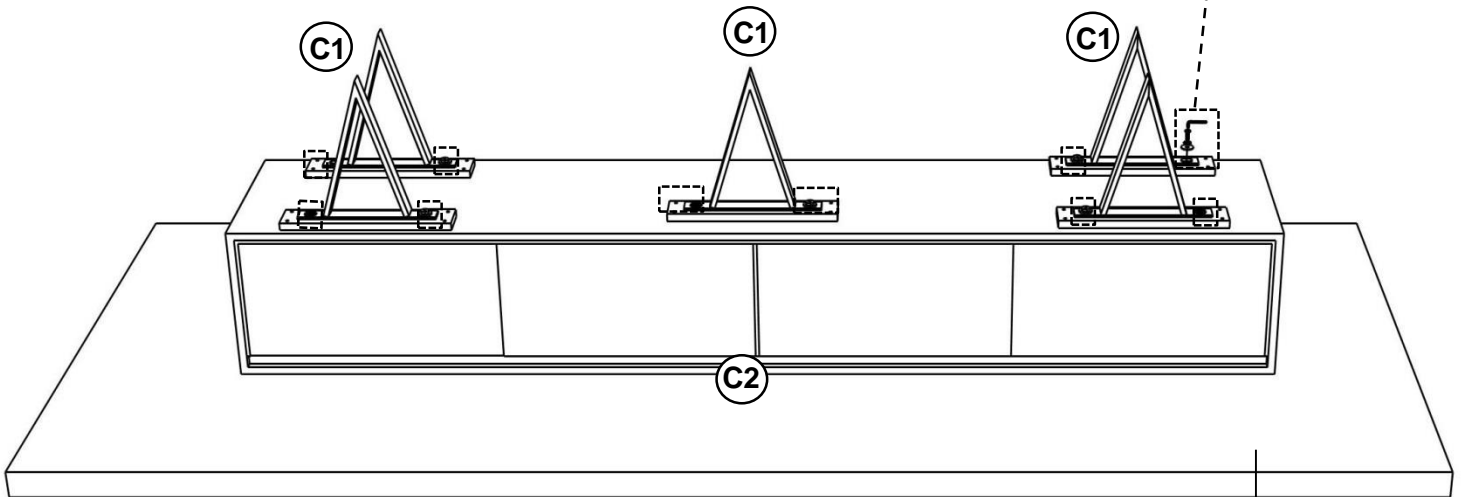
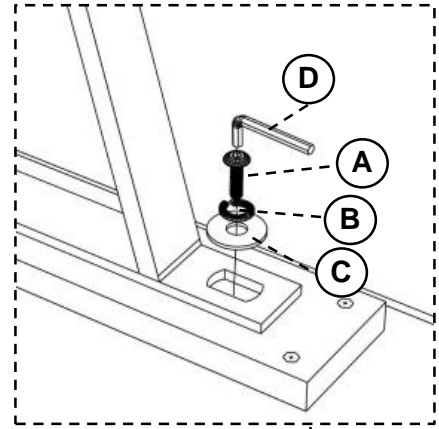
**D**



Allen Key M5

1

<p><b>A</b></p>  <p>Ø8x25 (mm) 10pcs</p>	<p><b>B</b></p>  <p>Ø10x16 (mm) 10pcs</p>	<p><b>C</b></p>  <p>Ø10x25 (mm) 10pcs</p>	<p><b>D</b></p>  <p>Allen Key M5</p>
---	--	---	---



Please lay all components on smooth flat surface to prevent scratches Use the EPE foam to protect the plastic hardware before assembly

EPE Foam

2

