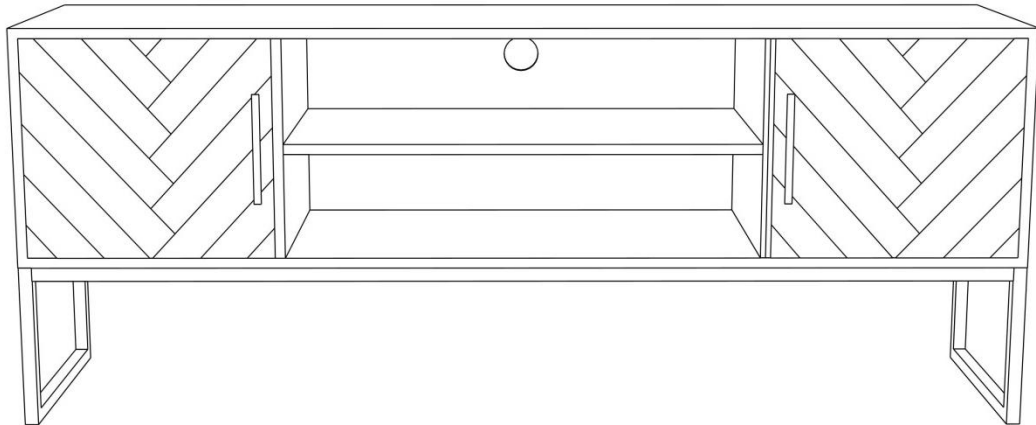


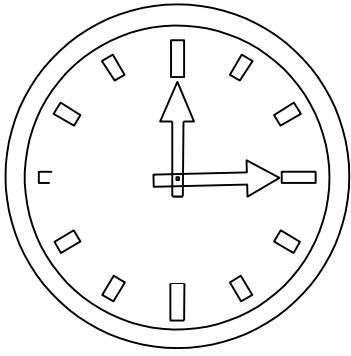
Assembly Instructions

9713458 TV Stand

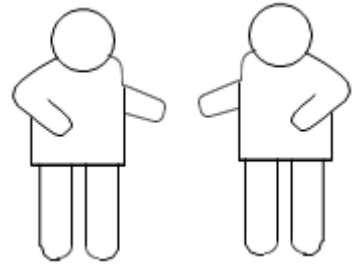
Product Issues? Please Call Us Before Contacting Your Retailer At
1-800-549-3300, email customerservice@mshome.co, or visit www.mshome.co
We can help with Assembly Issues, Part Requests, Damages, & All Other
Product Related Questions



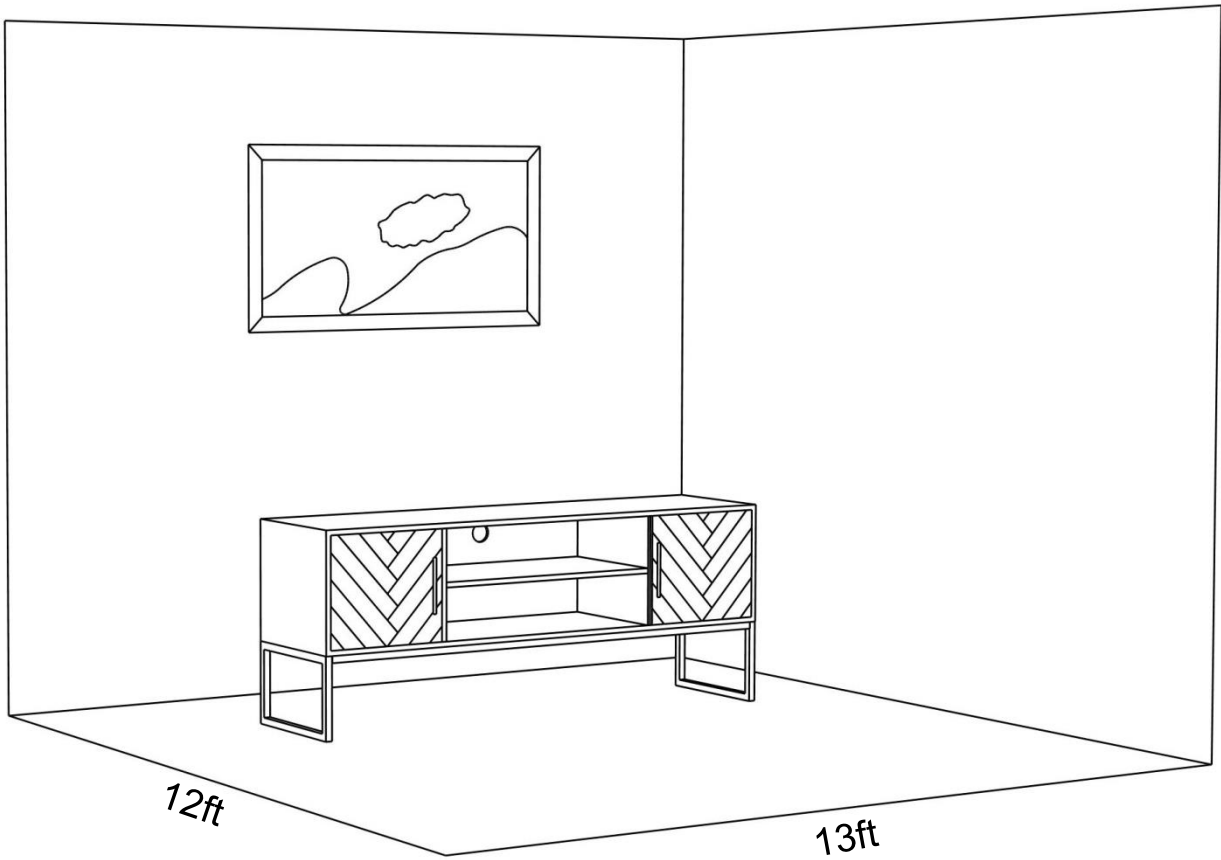
MSH-USA



15 min



Two People Required



Replacement Parts:

C1 - Legs x 2

C2 - Body x 1

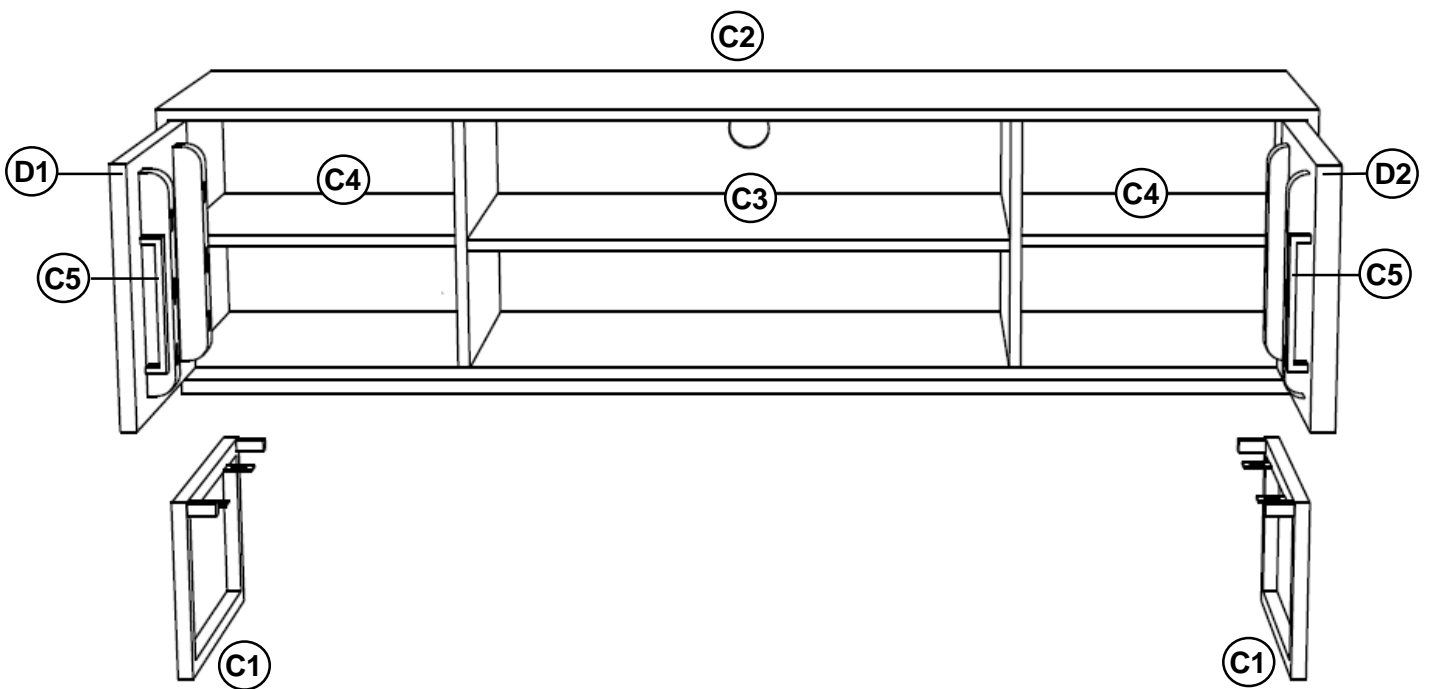
C3 - Middle Shelf

C4 - Side Shelf x 2

C5 - Handles x 2

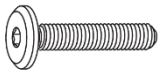
D1 - Door 1

D2 - Door 2



Hardware Pack:

A



Ø8x25 (mm) 4pcs

B



Ø10x16 (mm) 4pcs

C



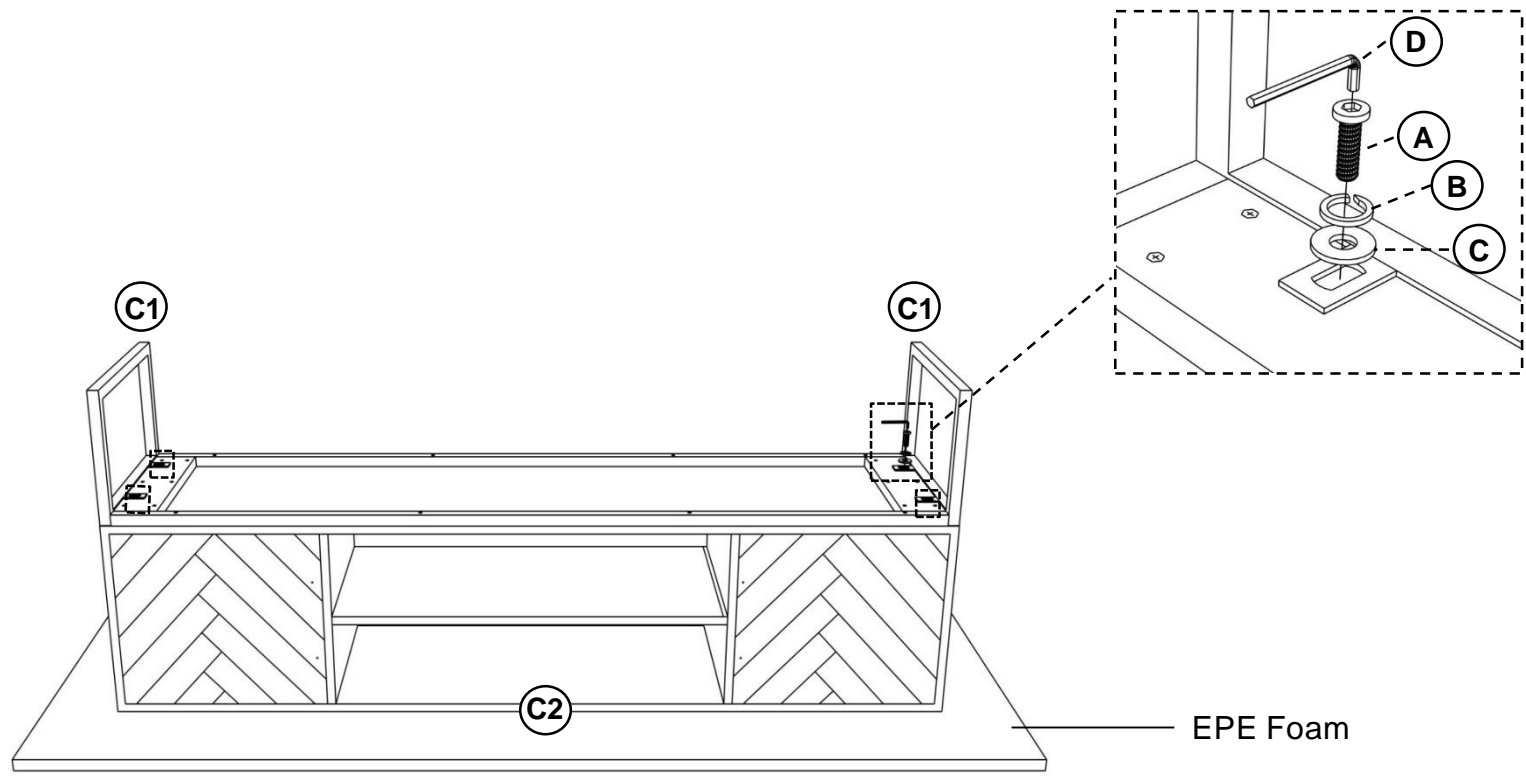
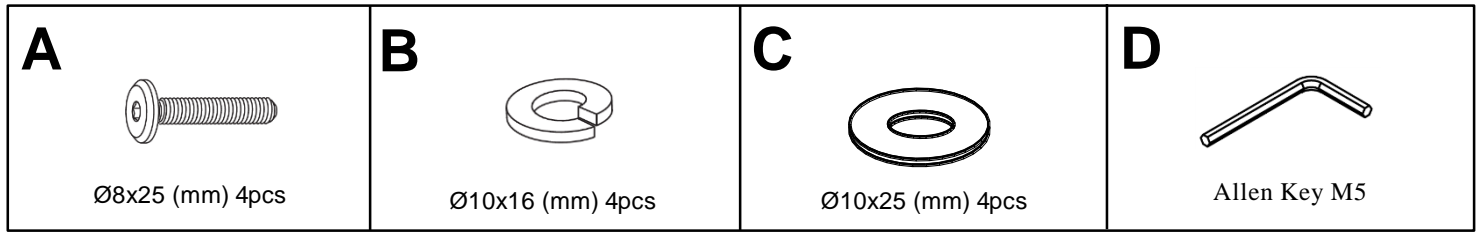
Ø10x25 (mm) 4pcs

D



Allen Key M5

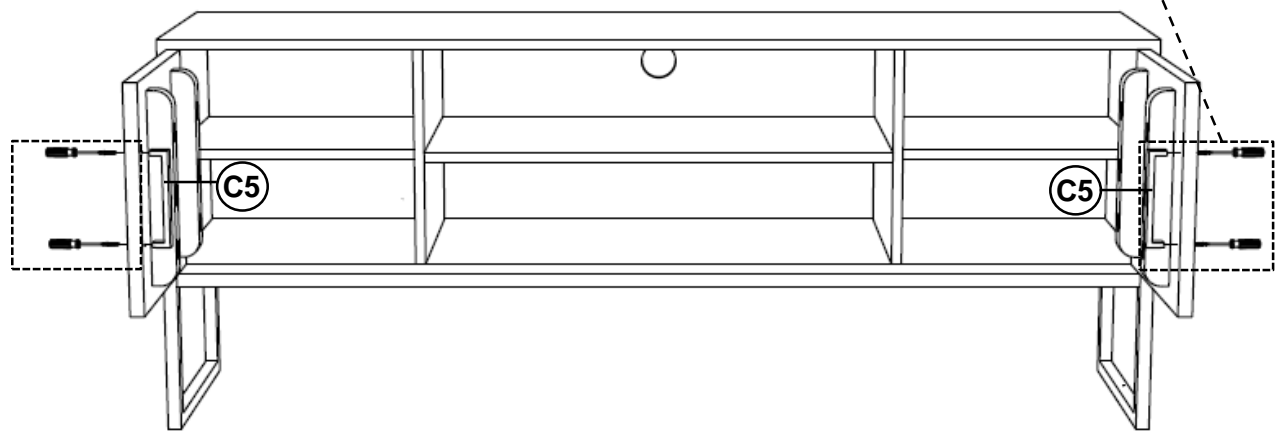
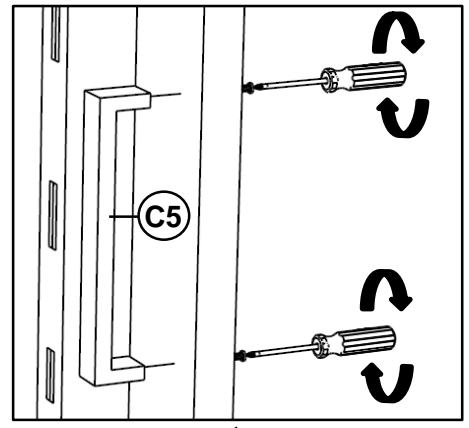
1



Please lay all components on smooth flat surface to prevent scratches Use the EPE foam to protect the plastic hardware before assembly

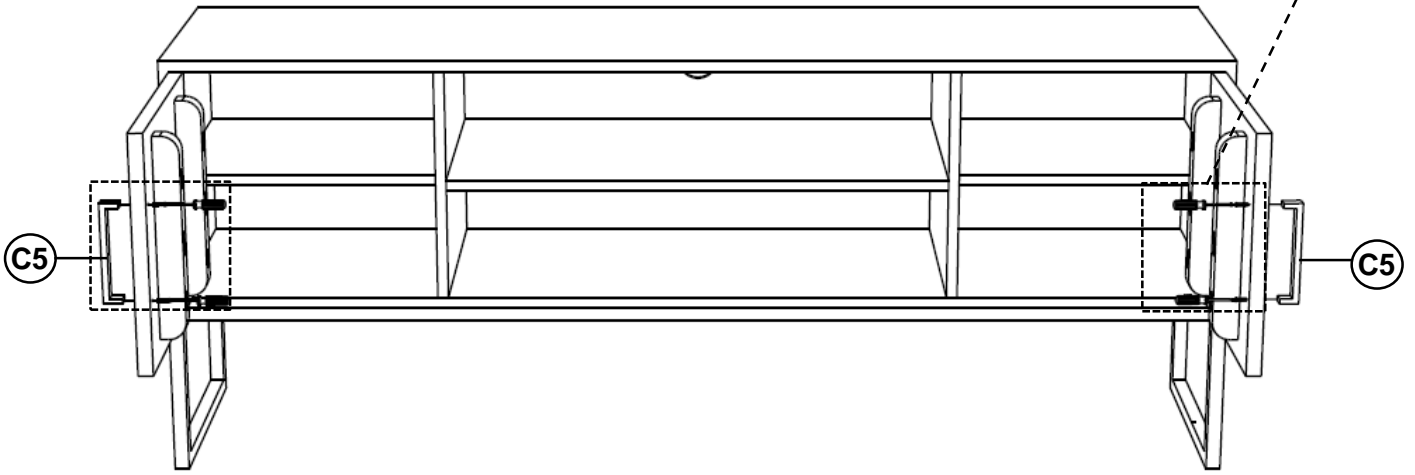
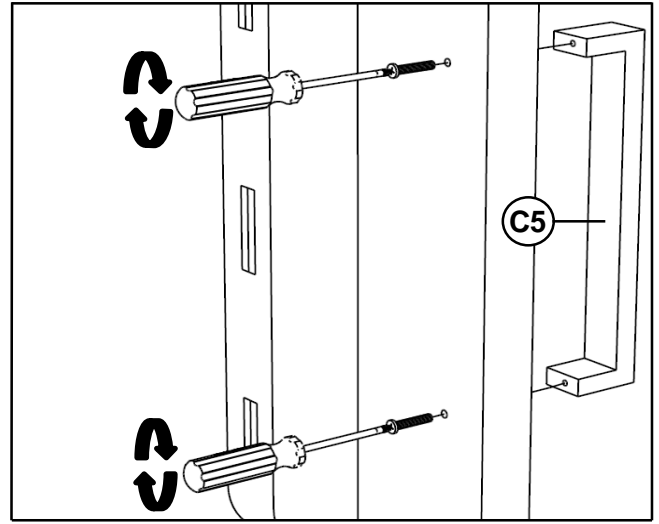
2

Handles (C5) are intentionally placed backwards for shipping purposes. Please remove and re-install as pictured.



3

Tighten the handle in the front side of the door.



4

