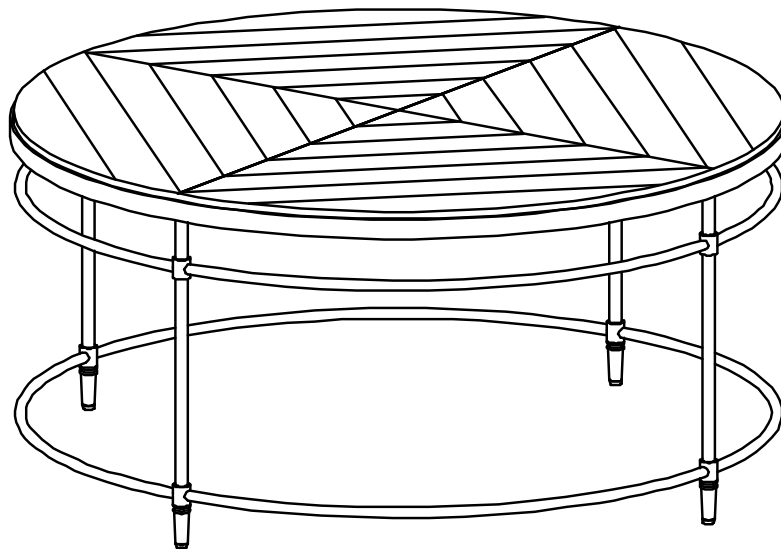
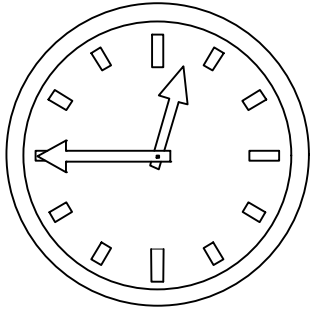


Assembly Instructions

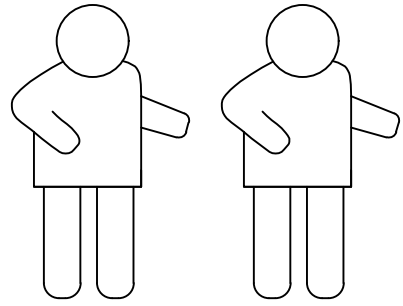
8714211 RND Cocktail Table

**Product Issues? Please Call Us Before Contacting Your Retailer At
1-800-549-3300, email customerservice@mshome.com, or visit mshome.co
We can help with Assembly Issues, Part Requests, Damages, & All Other
Product Related Questions**

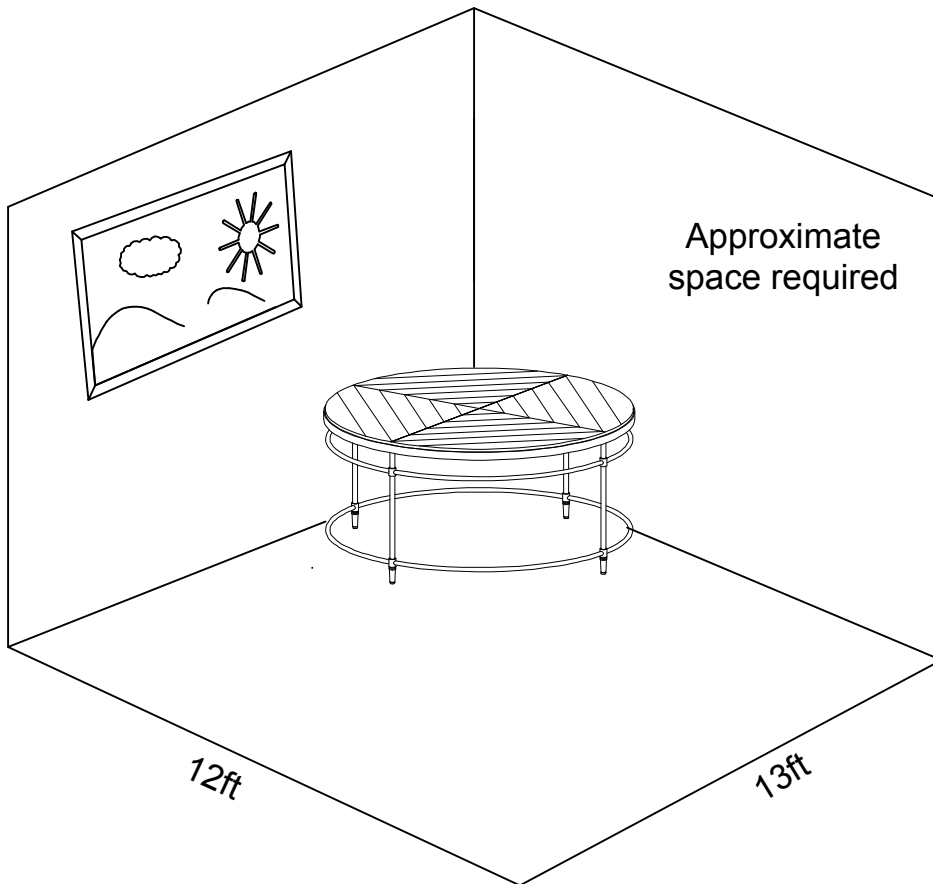




10 min



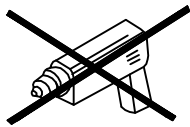
Two People Required



Approximate
space required

12ft

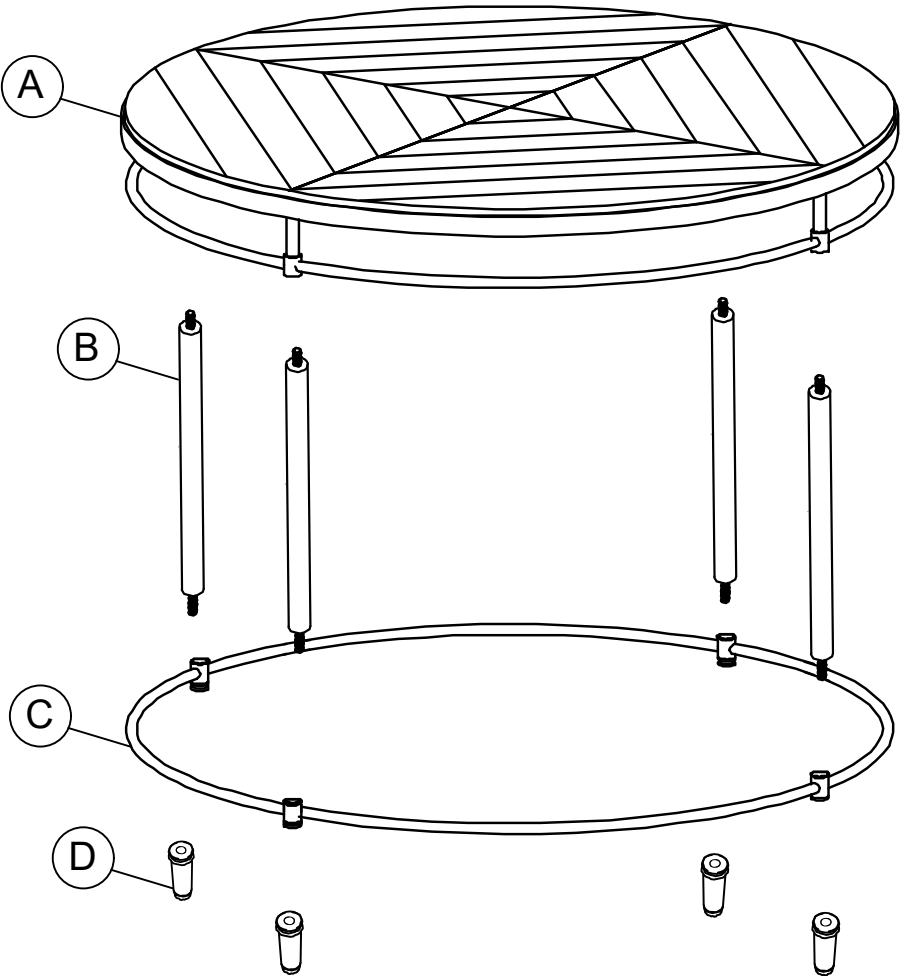
13ft



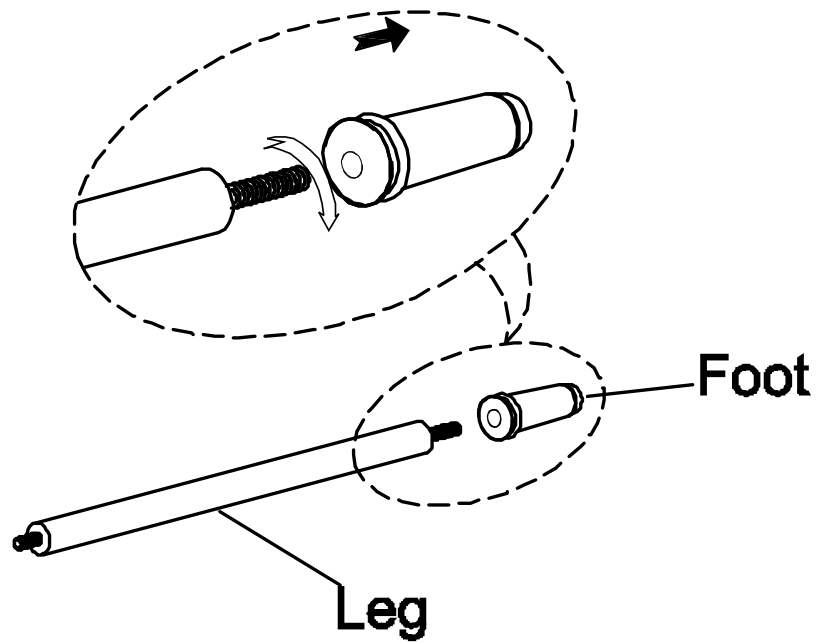
Do not use power tools

Replacement Parts:

- A - Table Top x 1
- B - Legs x 4
- C - Iron Frame x 1
- D - Foot x 4

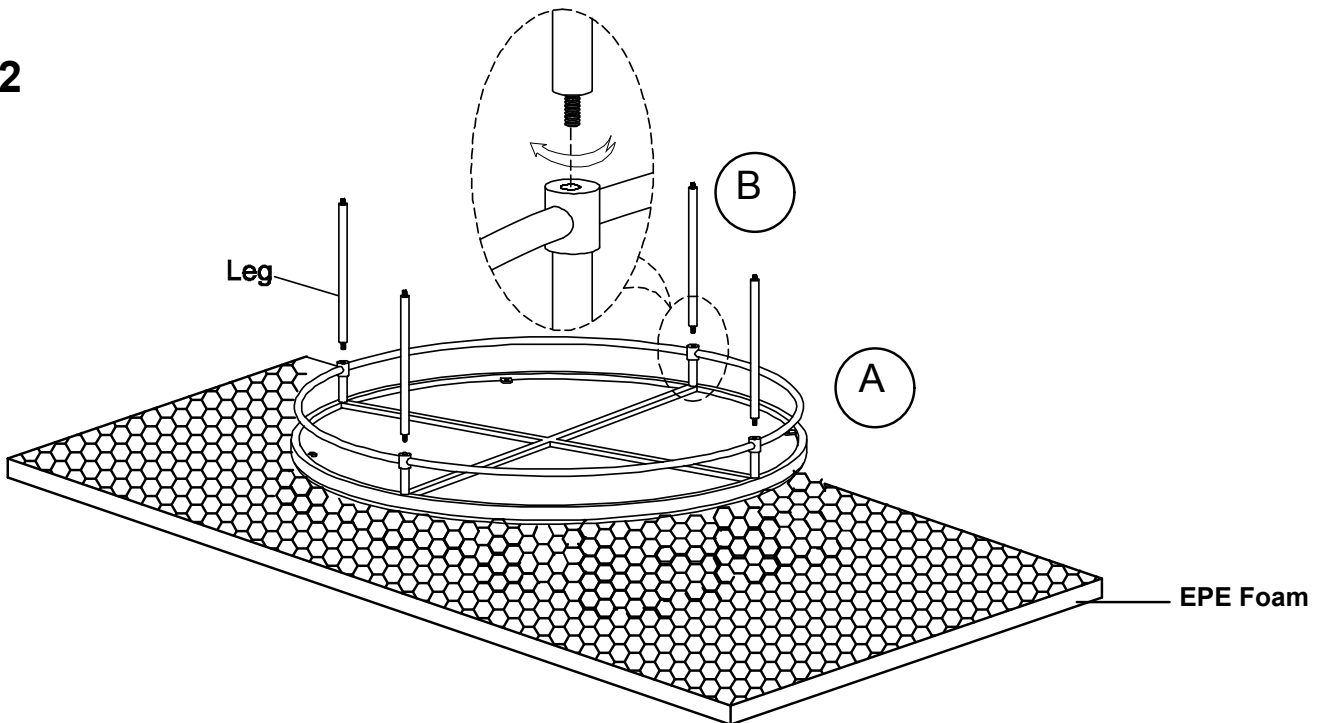


1



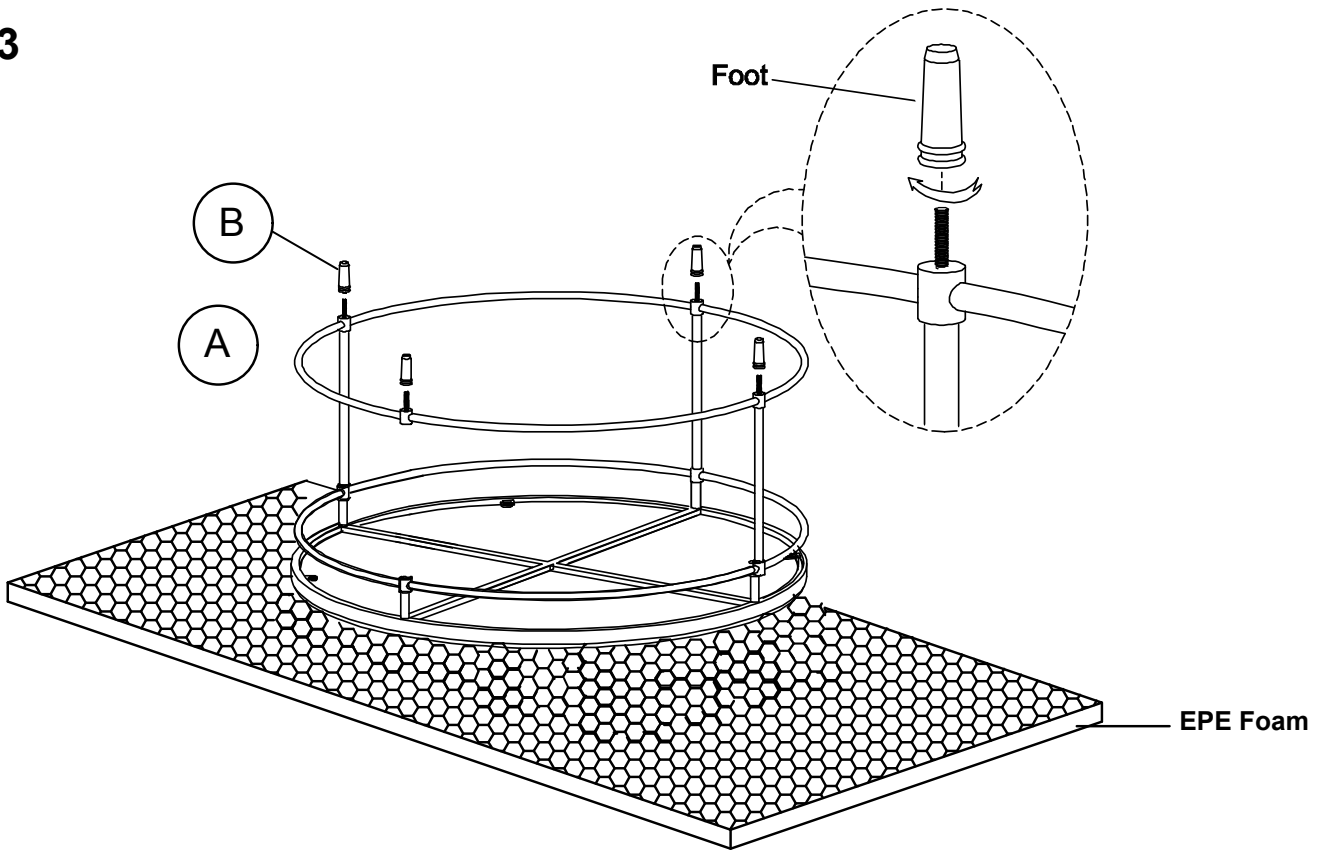
Foot and Leg were screwed together for shipping purposes. Firstly unscrew the Foot and Leg.

2



- Please lay all components on smooth flat surface to prevent scratches
- Use the EPE foam to protect the finish before assembly

3



4

