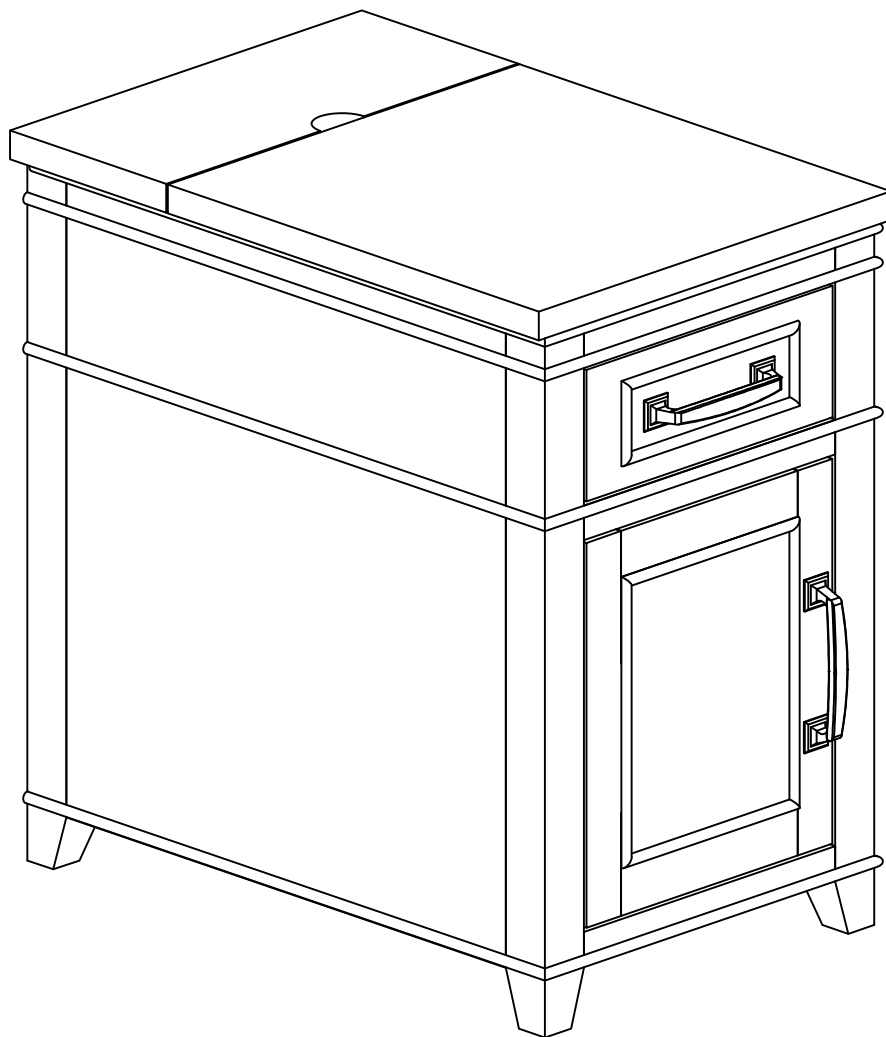


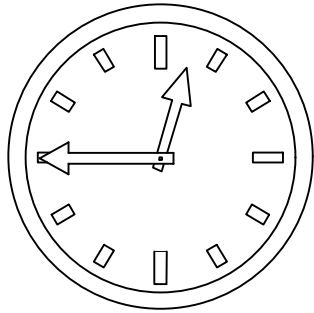
Assembly Instructions

810179 Chairside Table with Power

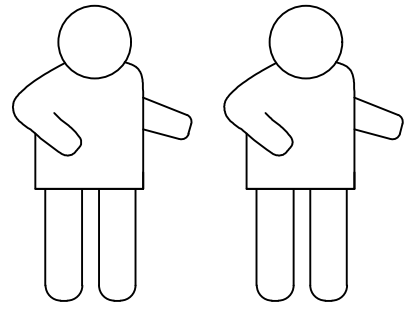
**Product Issues? Please Call Us Before Contacting Your Retailer At
1-800-549-3300, email customerservice@mshome.co, or visit www.mshome.co
We can help with Assembly Issues, Part Requests, Damages, & All Other
Product Related Questions**



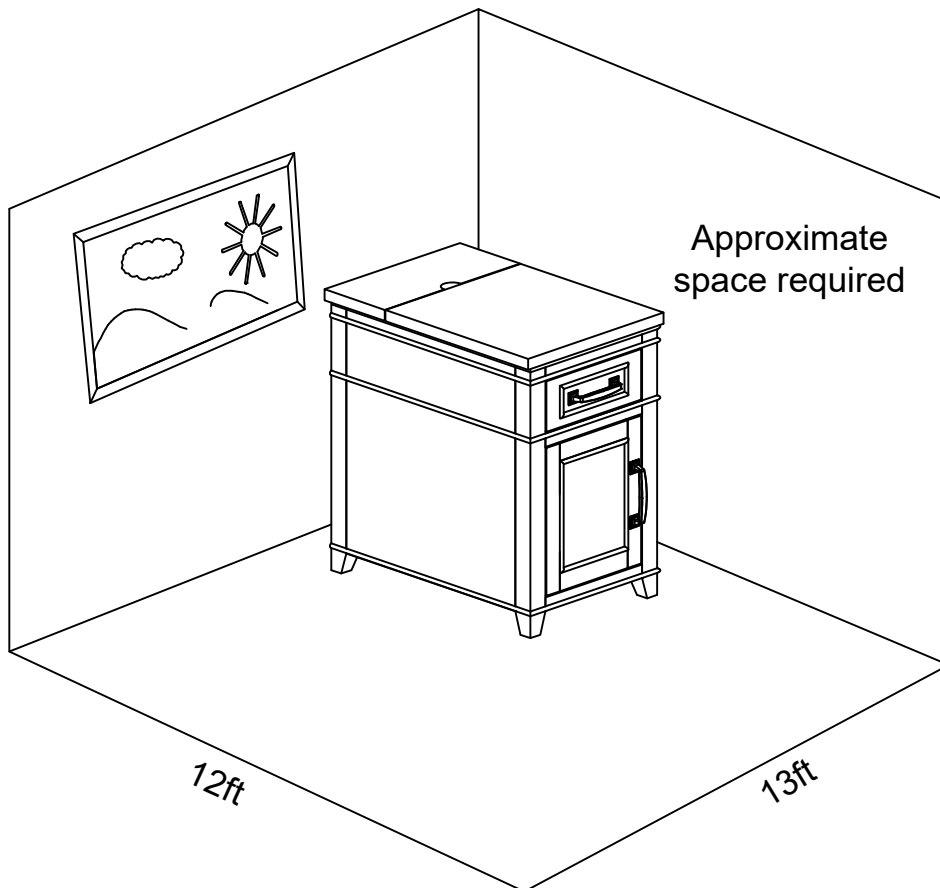
MSH-USA



10 min



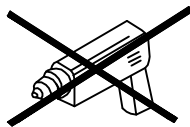
Two People Required



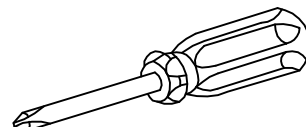
Approximate
space required

12ft

13ft



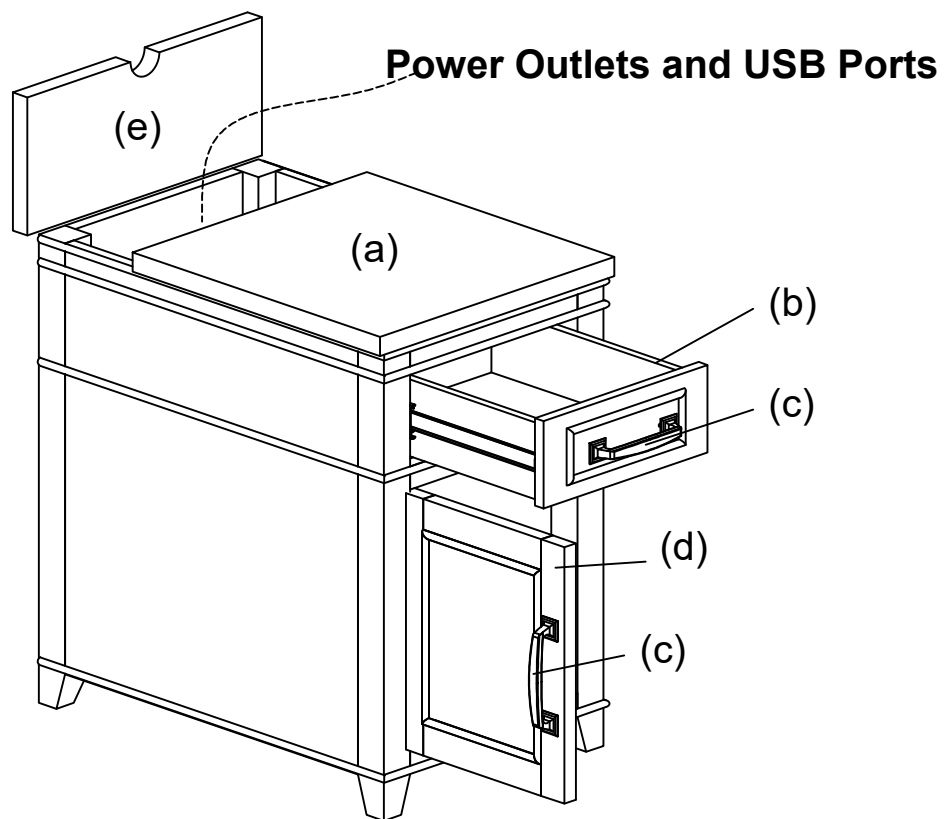
Do not use power tools



Phillips Head

Replacement Parts:

- (a) - Chairside Table
- (b) - Drawer
- (c) - Handle x 2
- (d) - Door
- (e) - Flip Top Cover



Hardware Pack

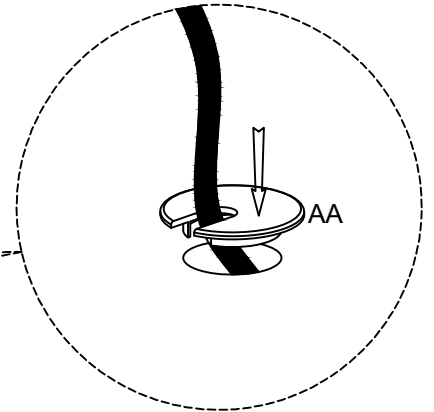
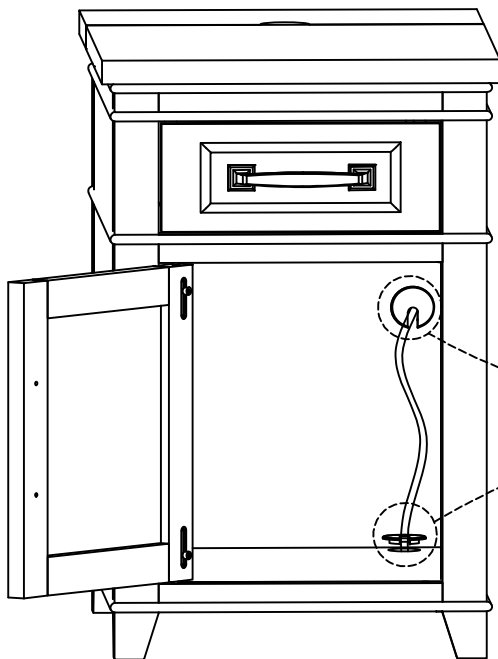
AA x 02



Ø5/16"x50 (mm)

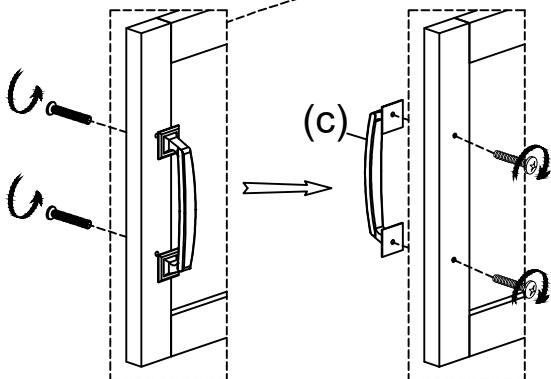
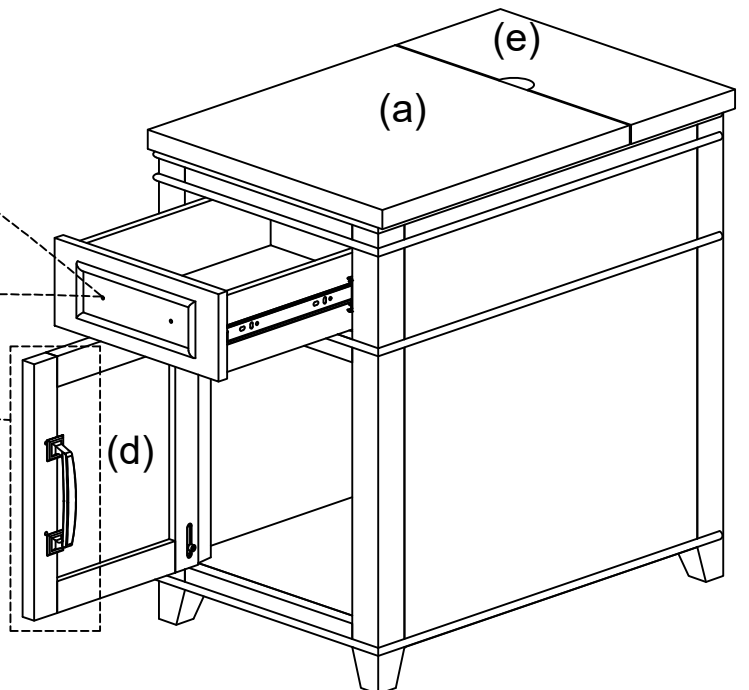
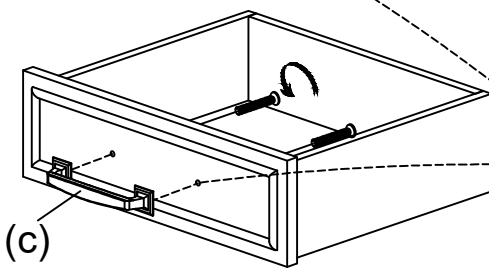
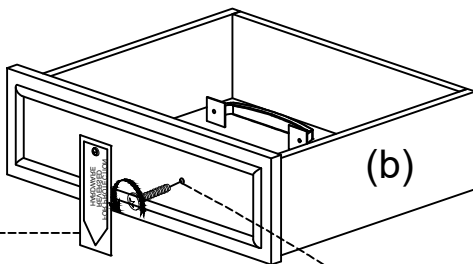
1.

AA x 2

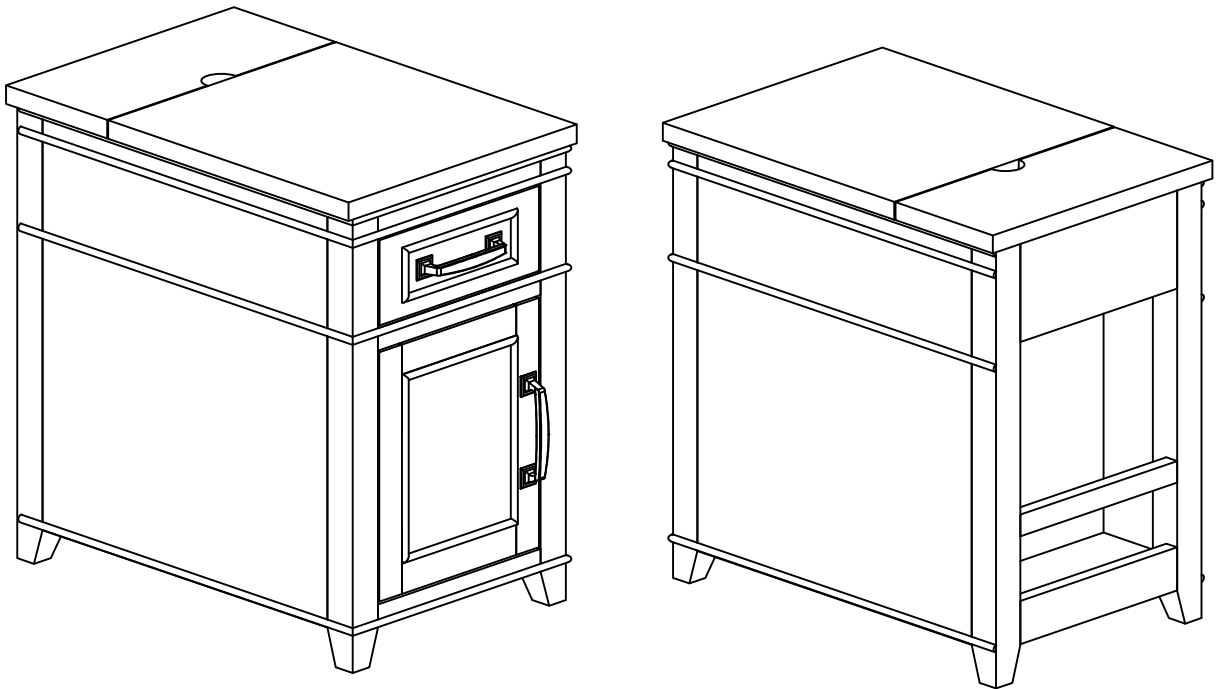


2.

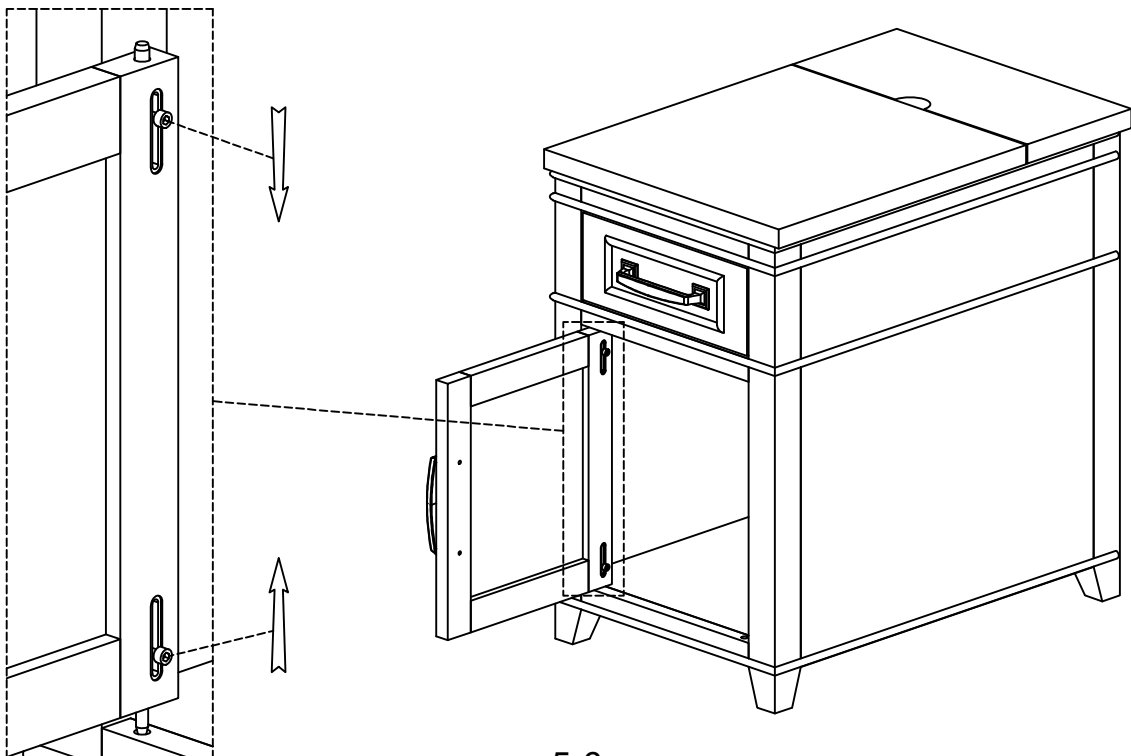
Handles intentionally placed backwards for shipping purposes. Please remove and re-install as pictured.



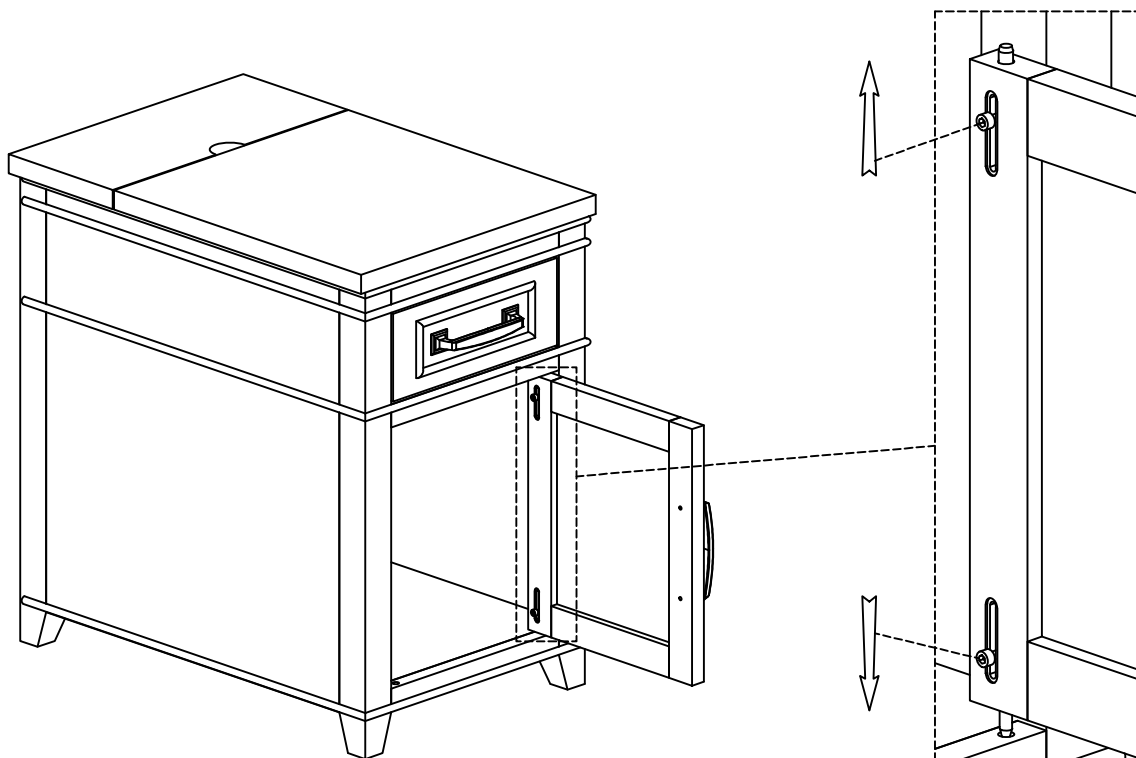
3.



4. **Removeable door instructions:** To remove the door, slide the locks in the appropriate direction and hold. The locks will release and the door can be removed.



- 5. Slide the locks the same way as removing the door and line the door up with the bracket and release the locks.**



- 6.**

