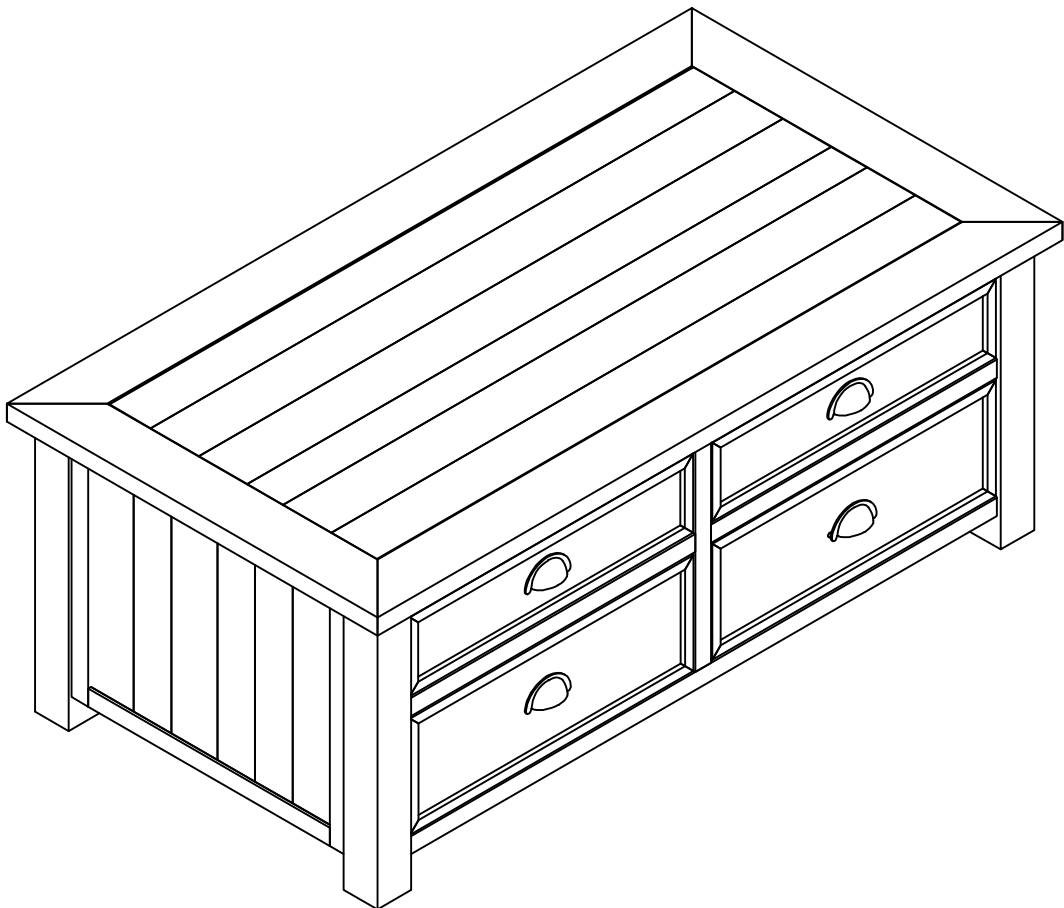


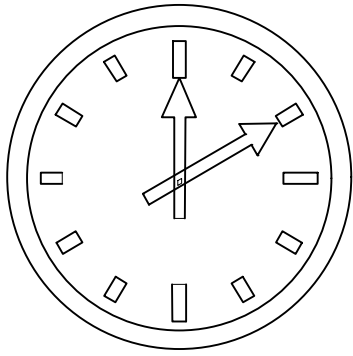
# Assembly Instructions

890619 Lift Top Coffee Table - White & Grey

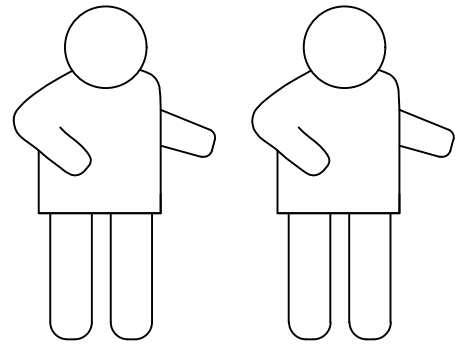
**Product Issues? Please Call Us Before Contacting Your Retailer At 1-800-549-3300.  
Email [customerservice@mshome.co](mailto:customerservice@mshome.co), or visit [www.mshome.co](http://www.mshome.co)  
We can help with Assembly Issues, Part Requests, Damages, & All Other Product  
Related Questions**



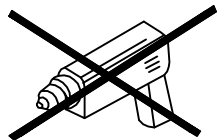
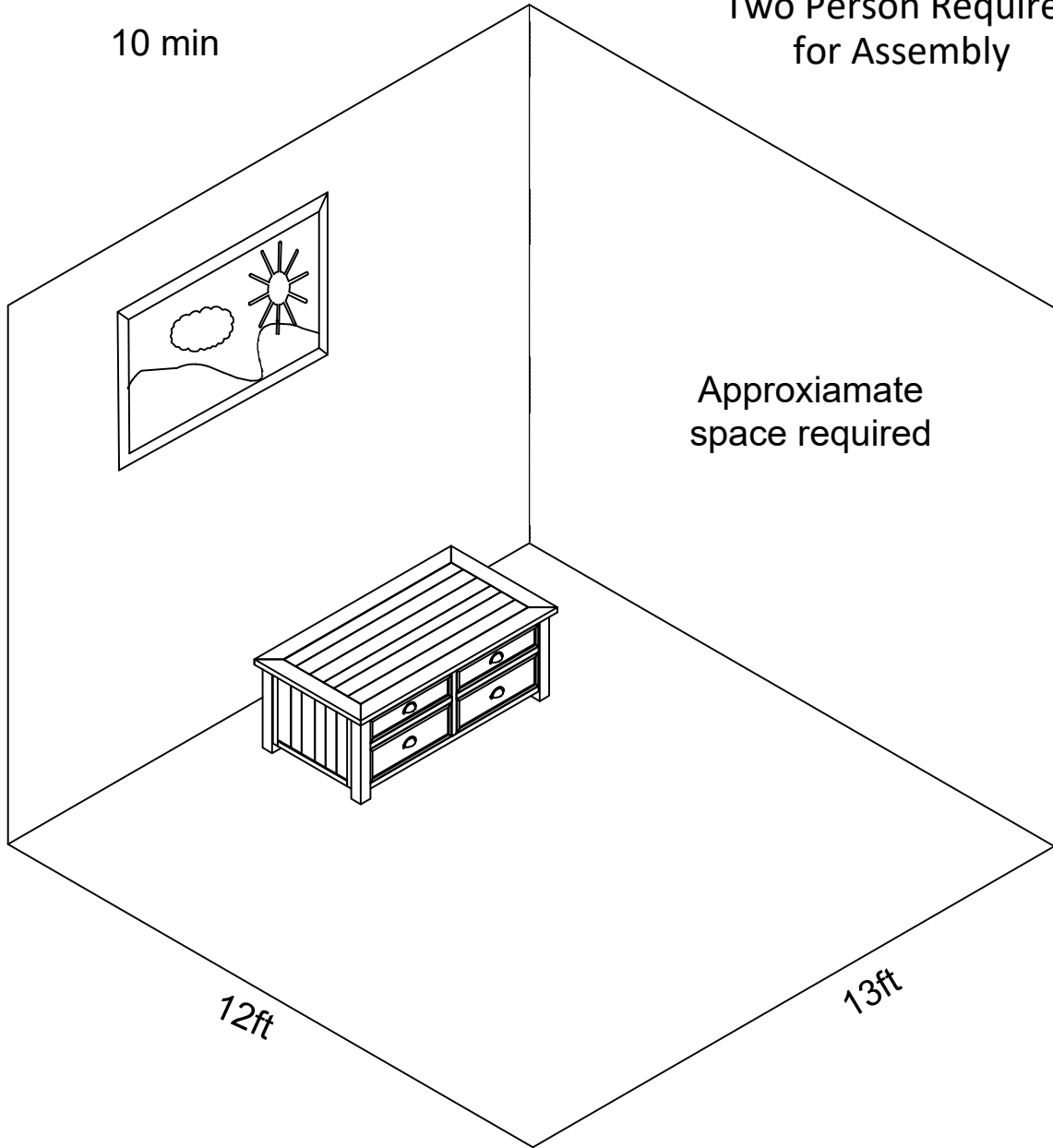
MSH - USA



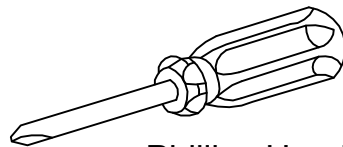
10 min



Two Person Required  
for Assembly



Do Not Use Power Tools



Phillips Head  
Not Provided

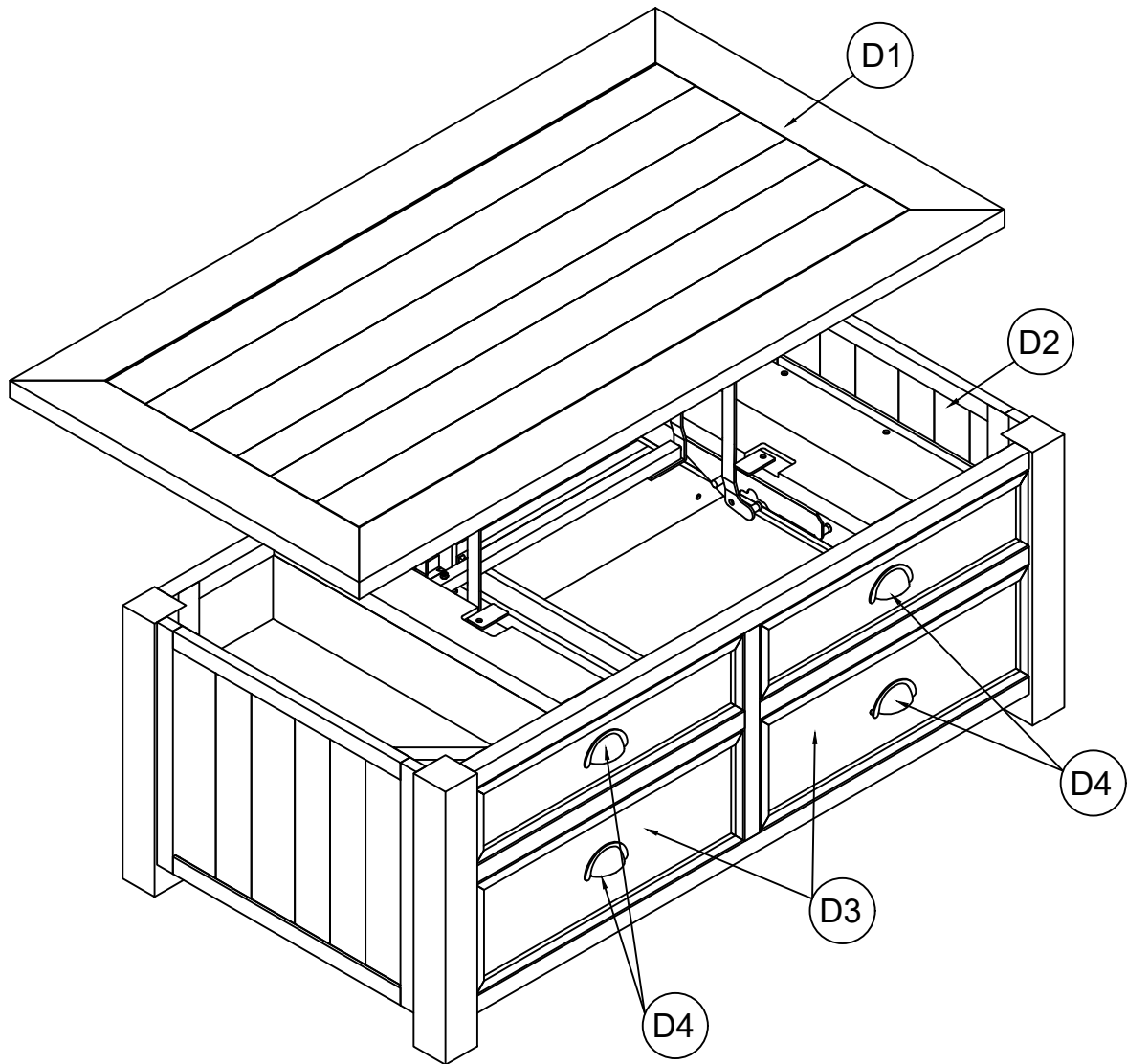
Part List :

D1 Top Panel

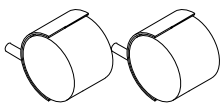
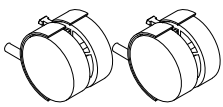
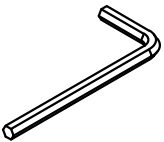
D2 Table Body

D3 Lower Drawer x2

D4 Handles x4

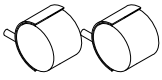


**Hardware Pack:**

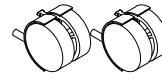
<p>A</p>  <p>Caster : 2 pcs</p>	<p>B</p>  <p>Caster with Lock : 2 pcs</p>	<p>C</p>  <p>Ø4 : 1 pc</p>
--	--	---

1

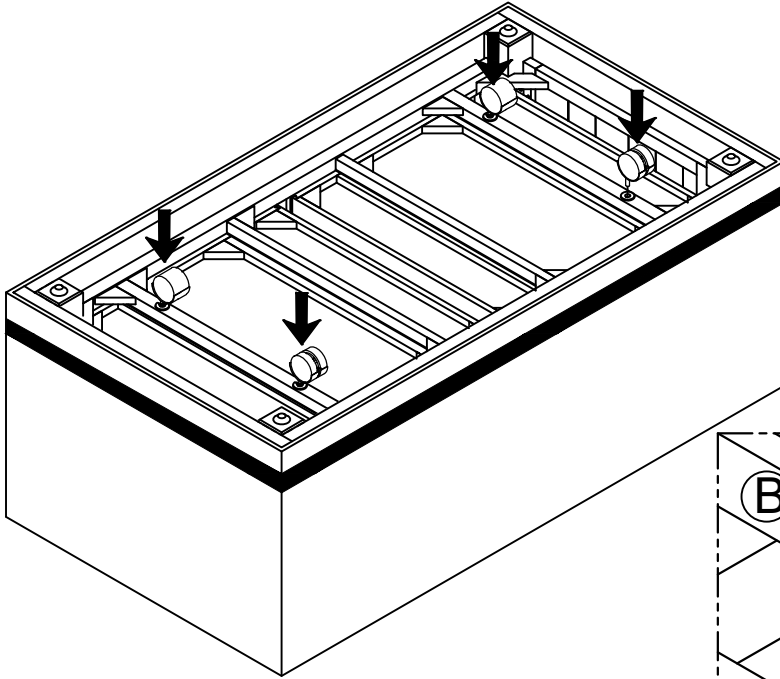
A x 2



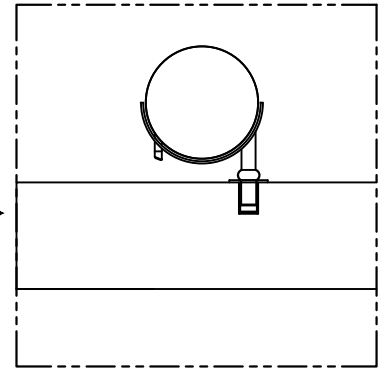
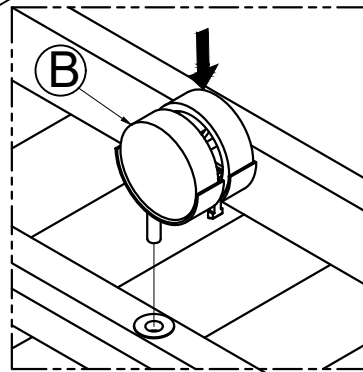
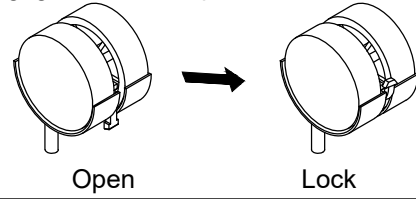
B x 2



when opening the underside of the package, please assembly the caster right away in order to avoid injury or damage to the product when overturning the table

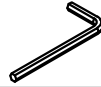


When putting the caster into the bottom panel, engage the lever to prevent it from turning.



2

C x 1



CAUTION: When table top is in the lifted position it is required to use the lock and keep it in the locked position. Failure to do so may lead to injury or damage to the product. In order to reinforce the lock, please use the hex key to loosen the metal base then keep it in the locked position to avoid injury or damage to the product.

