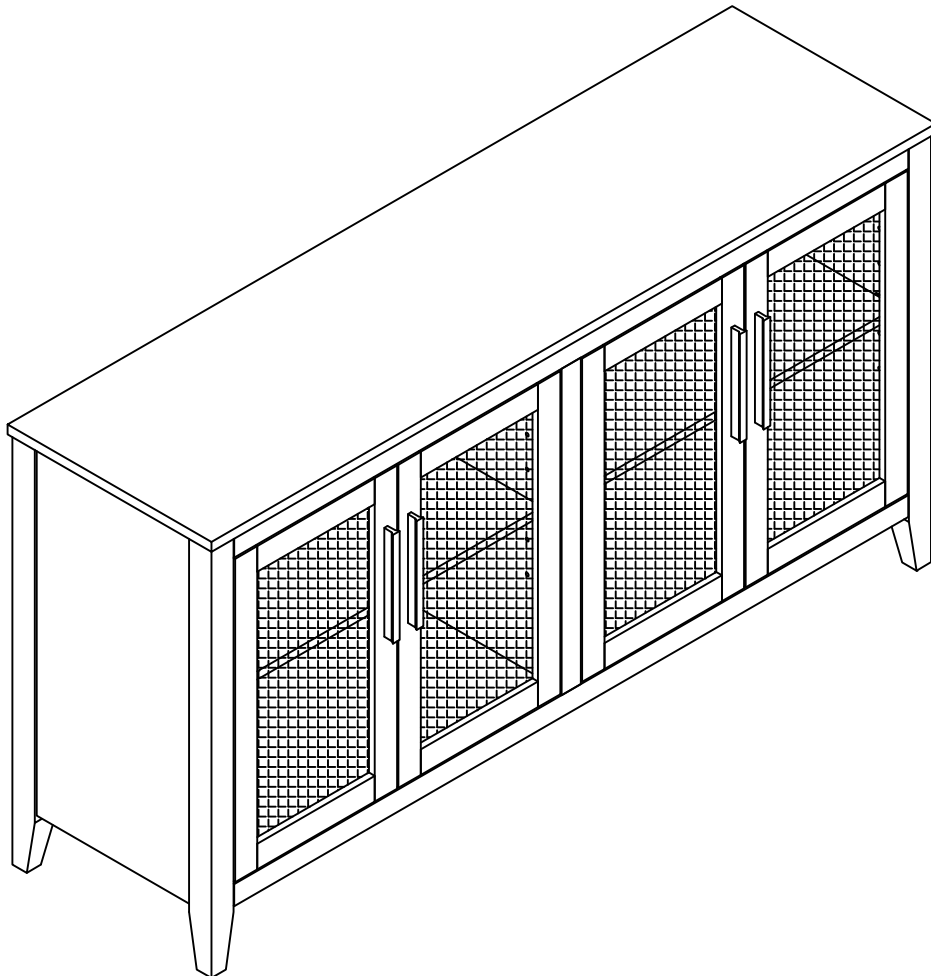


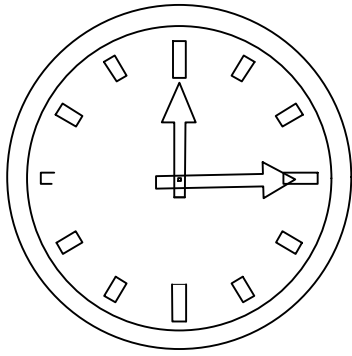
Assembly Instructions

909901 TV Stand - Grey

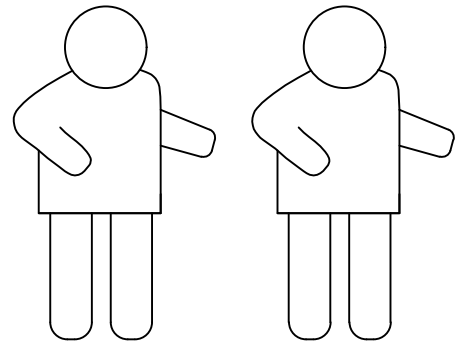
**Product Issues? Please Call Us Before Contacting Your Retailer At
1-800-549-3300, email customerservice@mshome.co, or visit www.mshome.co
We can help with Assembly Issues, Part Requests, Damages, & All Other
Product Related Questions**



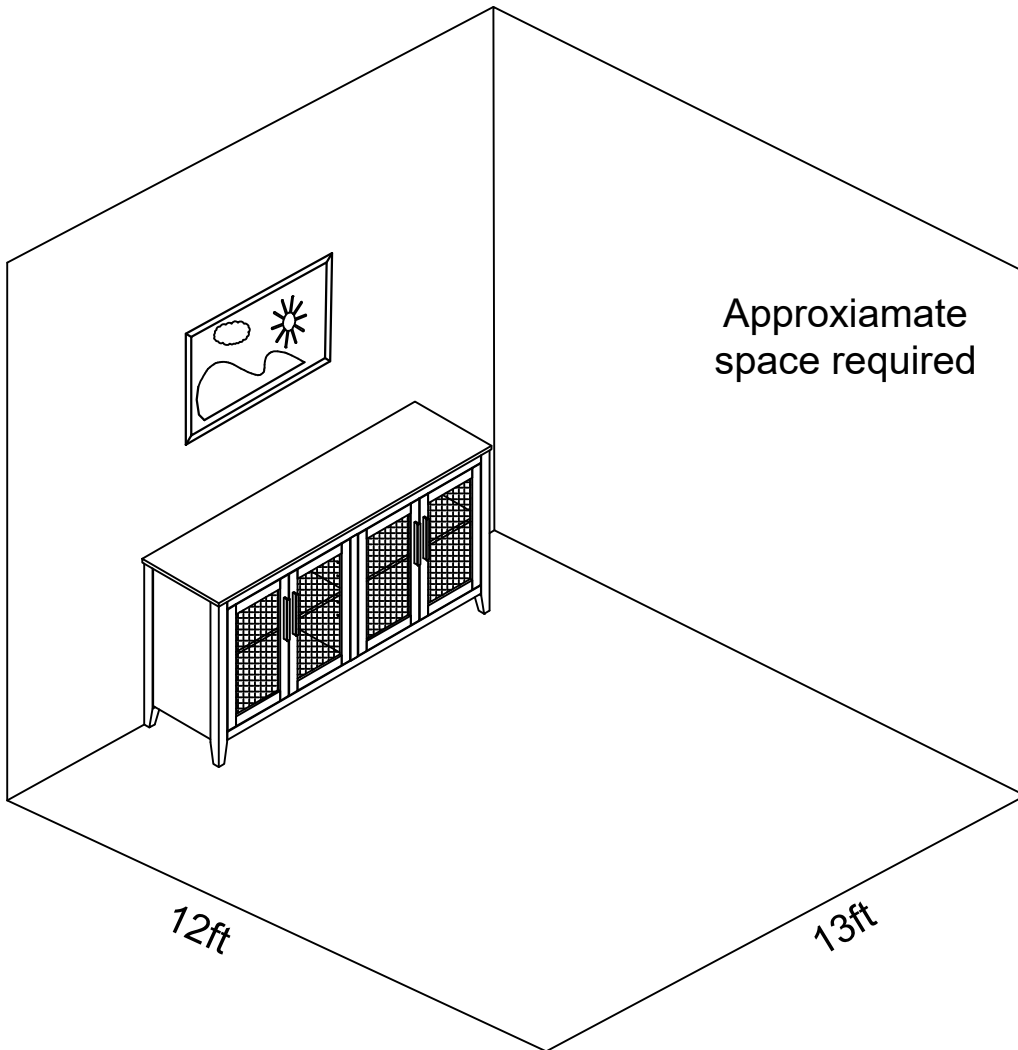
MSH - USA



15 min



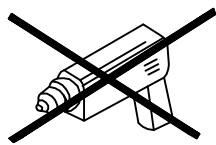
Two Personal Required
for Assembly



Approximate
space required

12ft

13ft



Do Not Use Power Tools



Phillips Head
Not Provided

Parts Included :

C1 Top Panel

C2 Side Panel x2

C3 Front Frame

C4 Partition Panel

C5 Left Bottom Side Shelf

C6 Right Bottom Side Shelf

C7 Side Shelf x2

C8 Support Leg

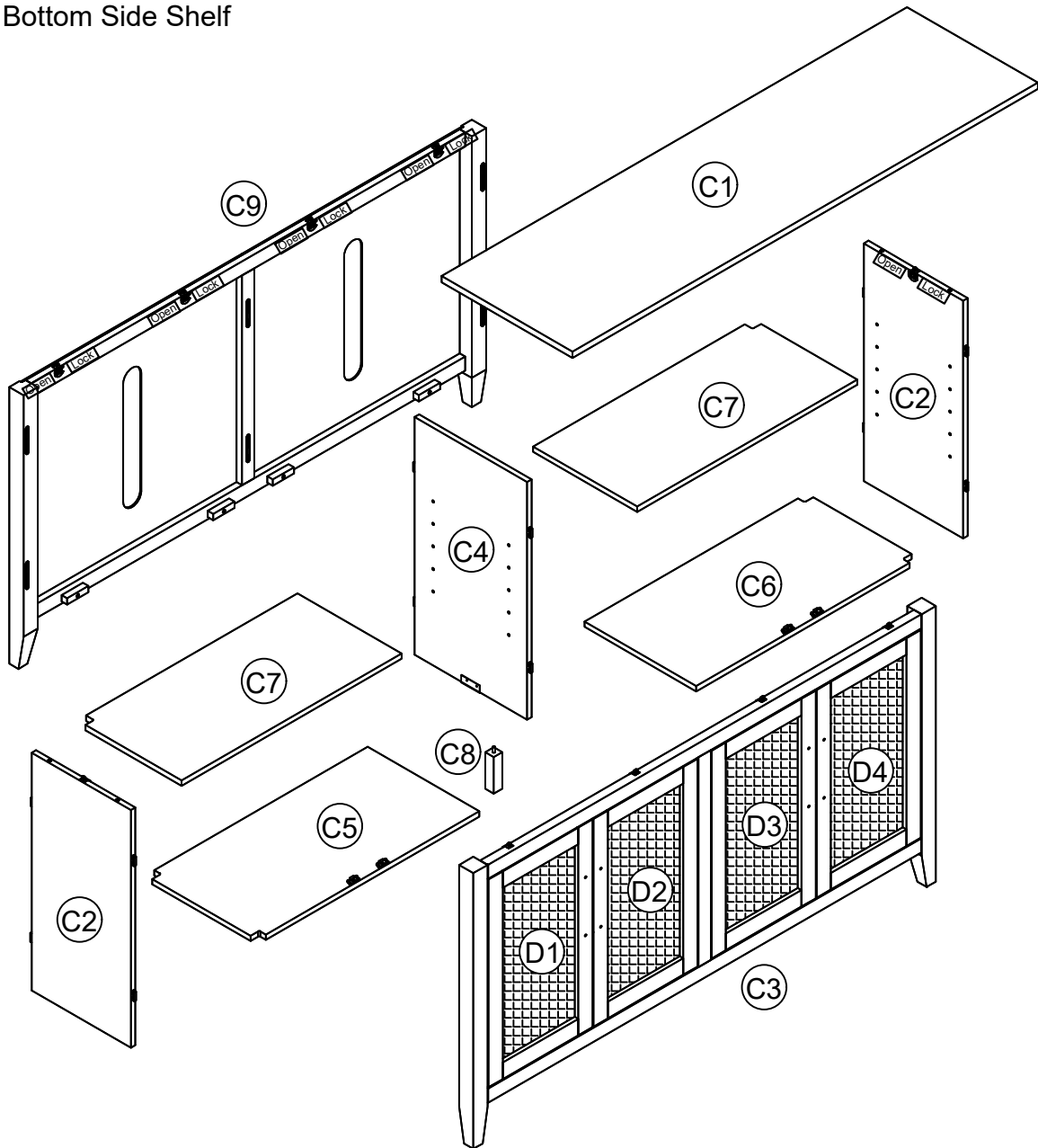
C9 Back Frame

D1 Door 1 x1





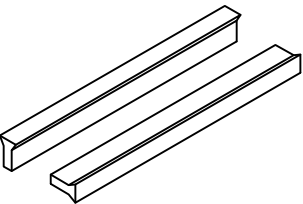
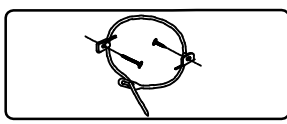
D2 Door 2 x1

D3 Door 3 x1

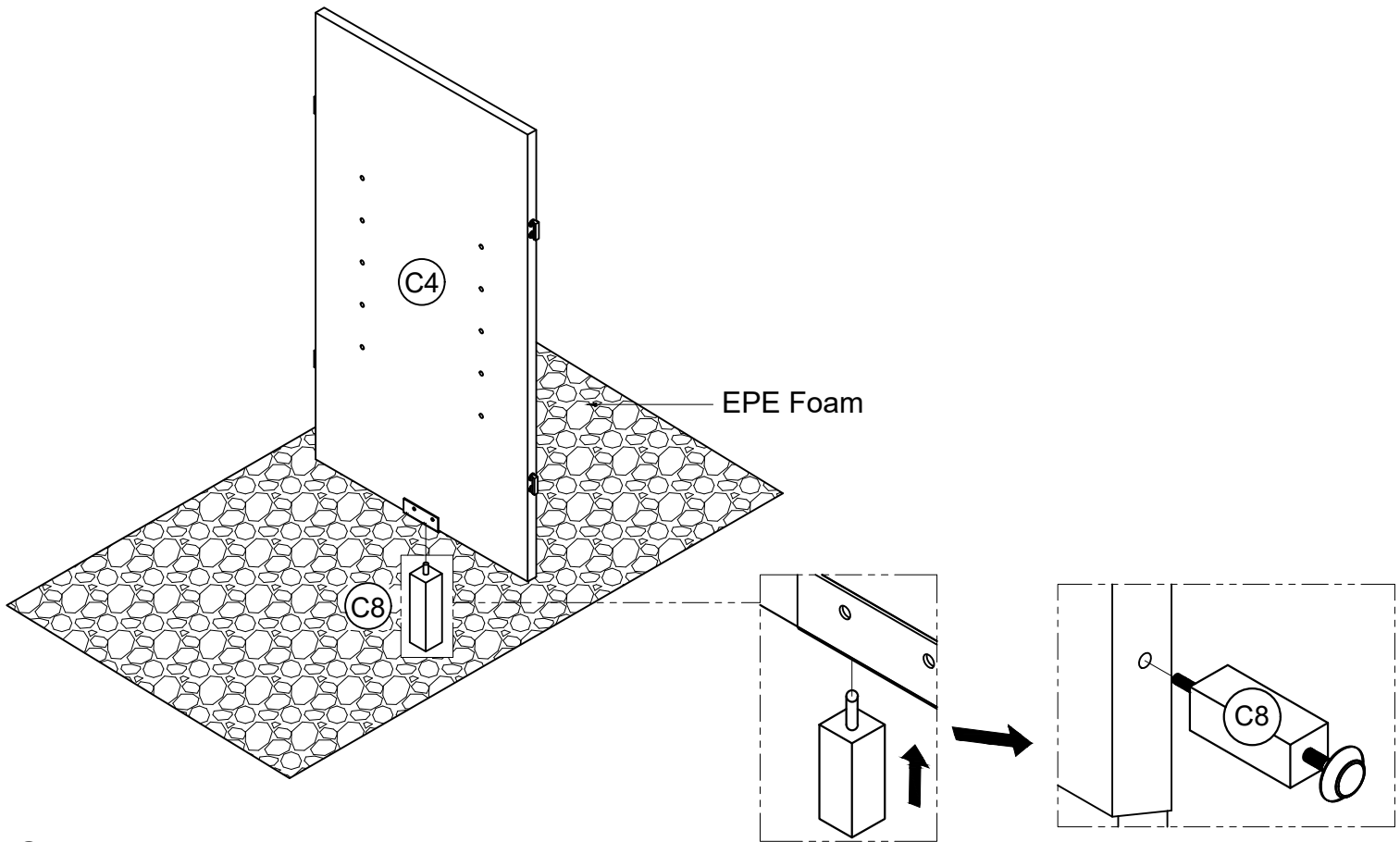
D4 Door 4 x1



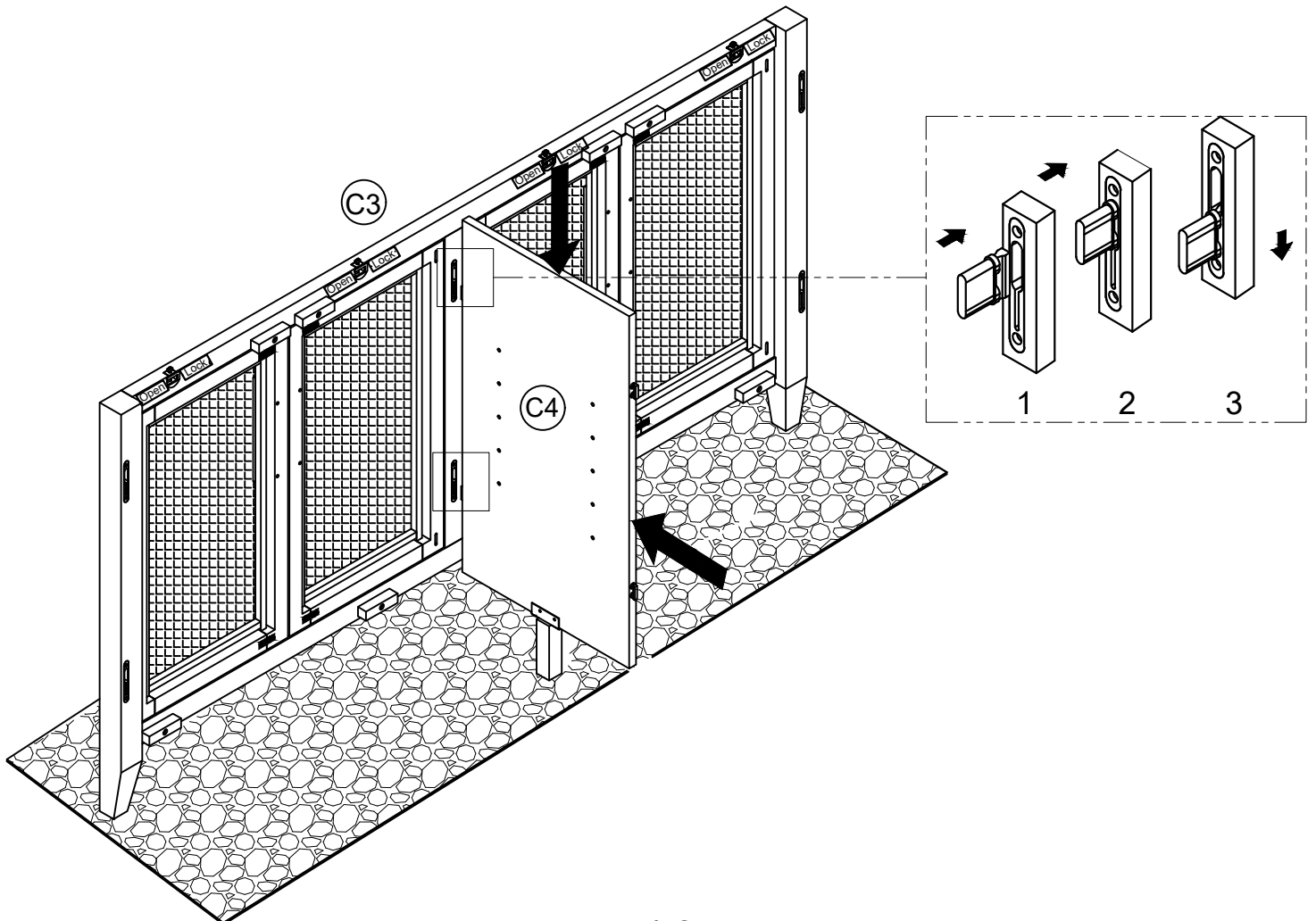
Hardware Pack

| | | | |
|---|--|---|--|
| <p>A</p>  <p>Ø8x20 (mm) 4pcs</p> | <p>B</p>  <p>8pcs</p> | <p>C</p>  <p>Ø3.5x15 (mm) 8pcs</p> | <p>D</p>  <p>Ø4x30(mm) 8pcs</p> |
| <p>E</p>  <p>4 pcs</p> | |  <p>ANTI-TIP SET</p> | |

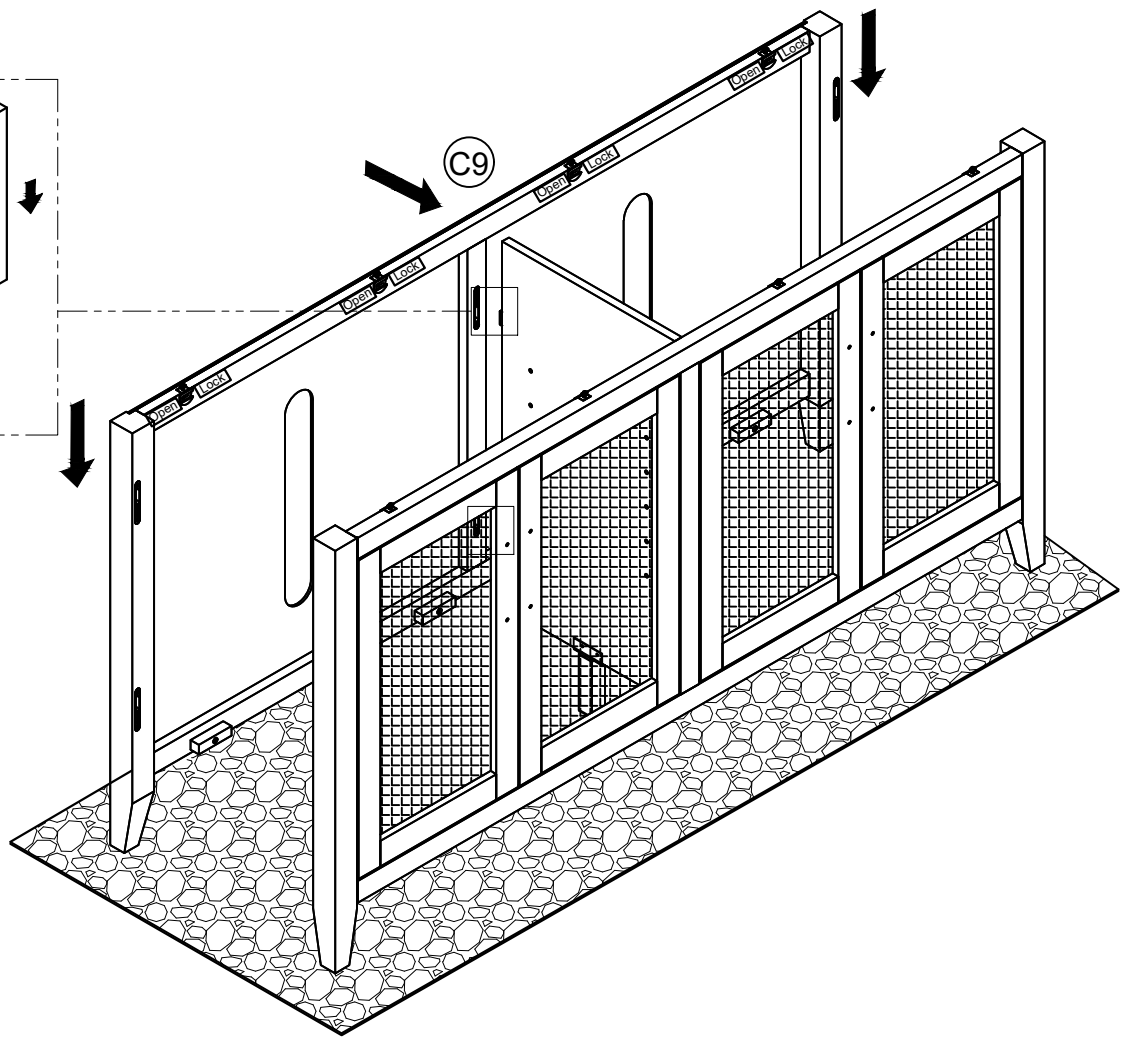
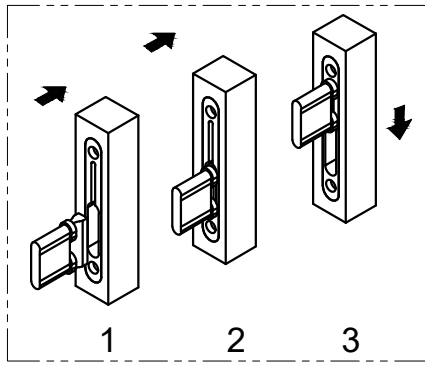
- 1
- Please lay all components on smooth flat surface to prevent scratches
 - Use the EPE foam to protect the plastic hardware before assembly



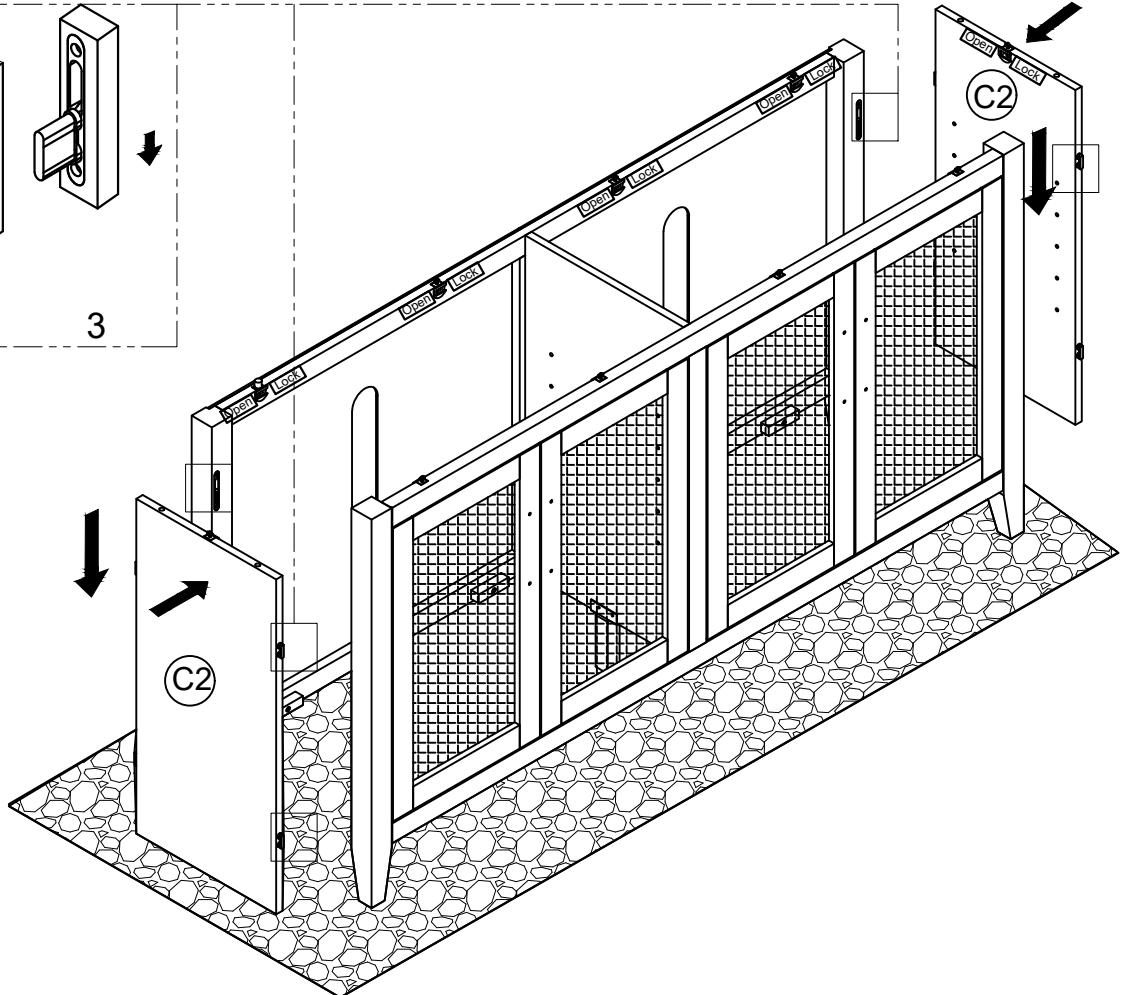
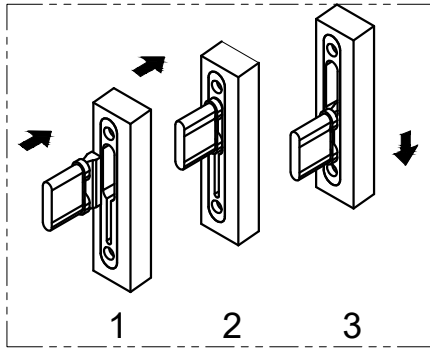
2



3

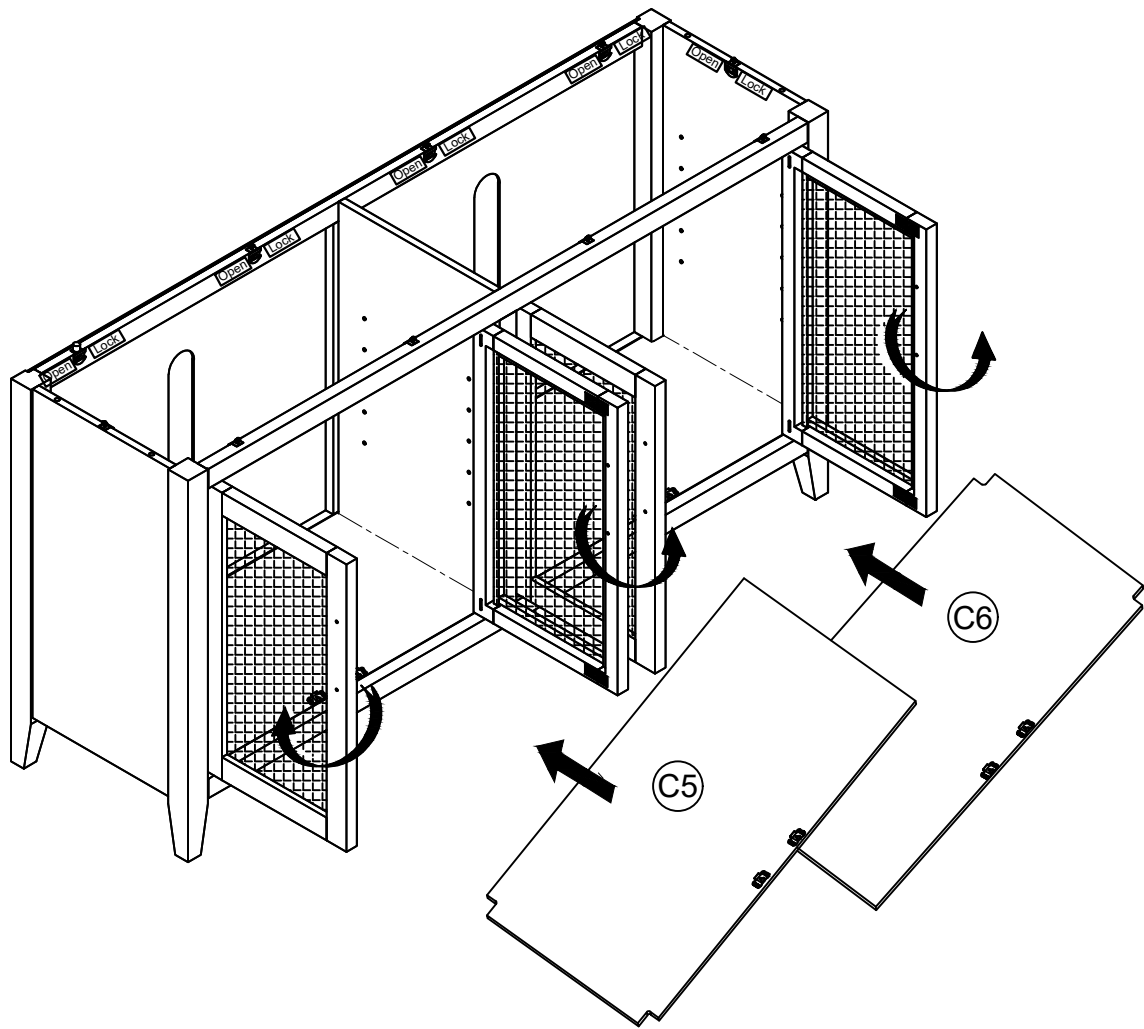


4



5-8

5



6

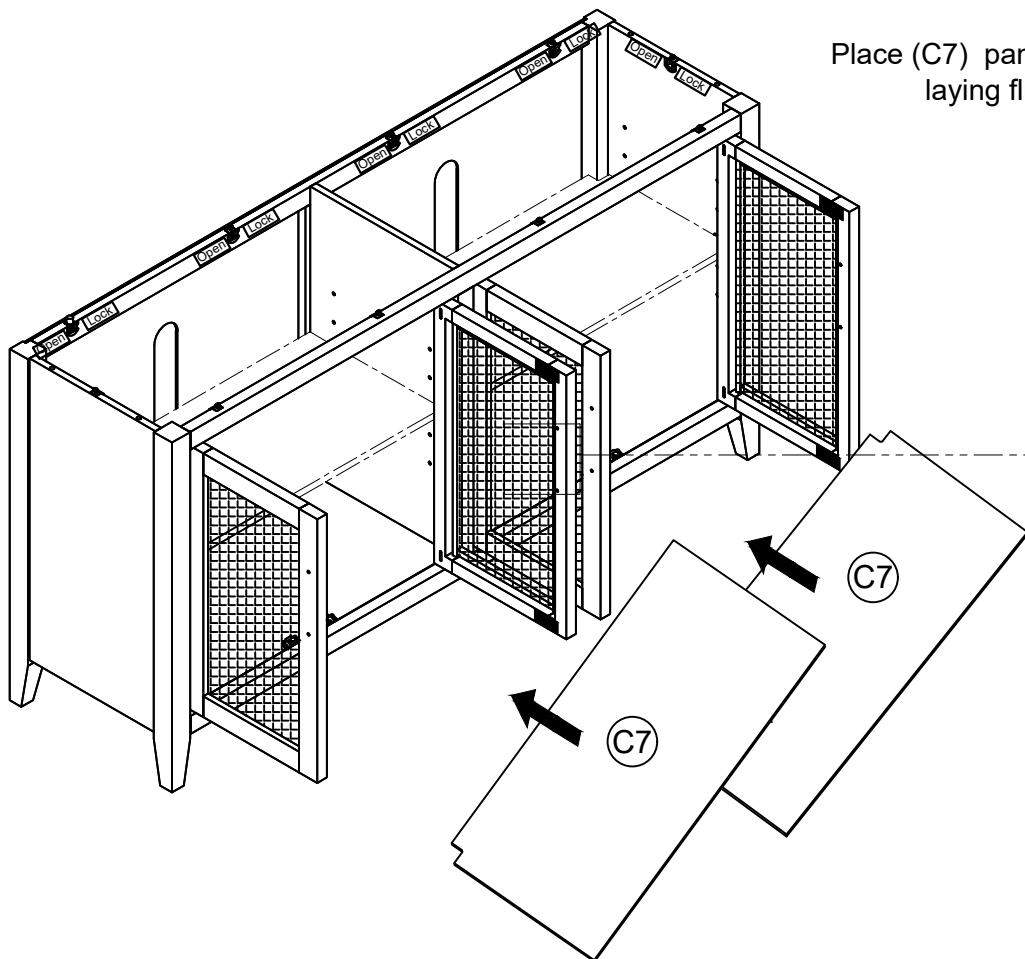
Bx8



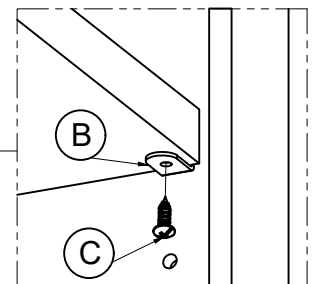
Cx8



Ø3.5x15(mm)



Place (C7) panels into correct position by laying flush on top of cleats



Ensure that side rail support is positioned under wood molding

6-8

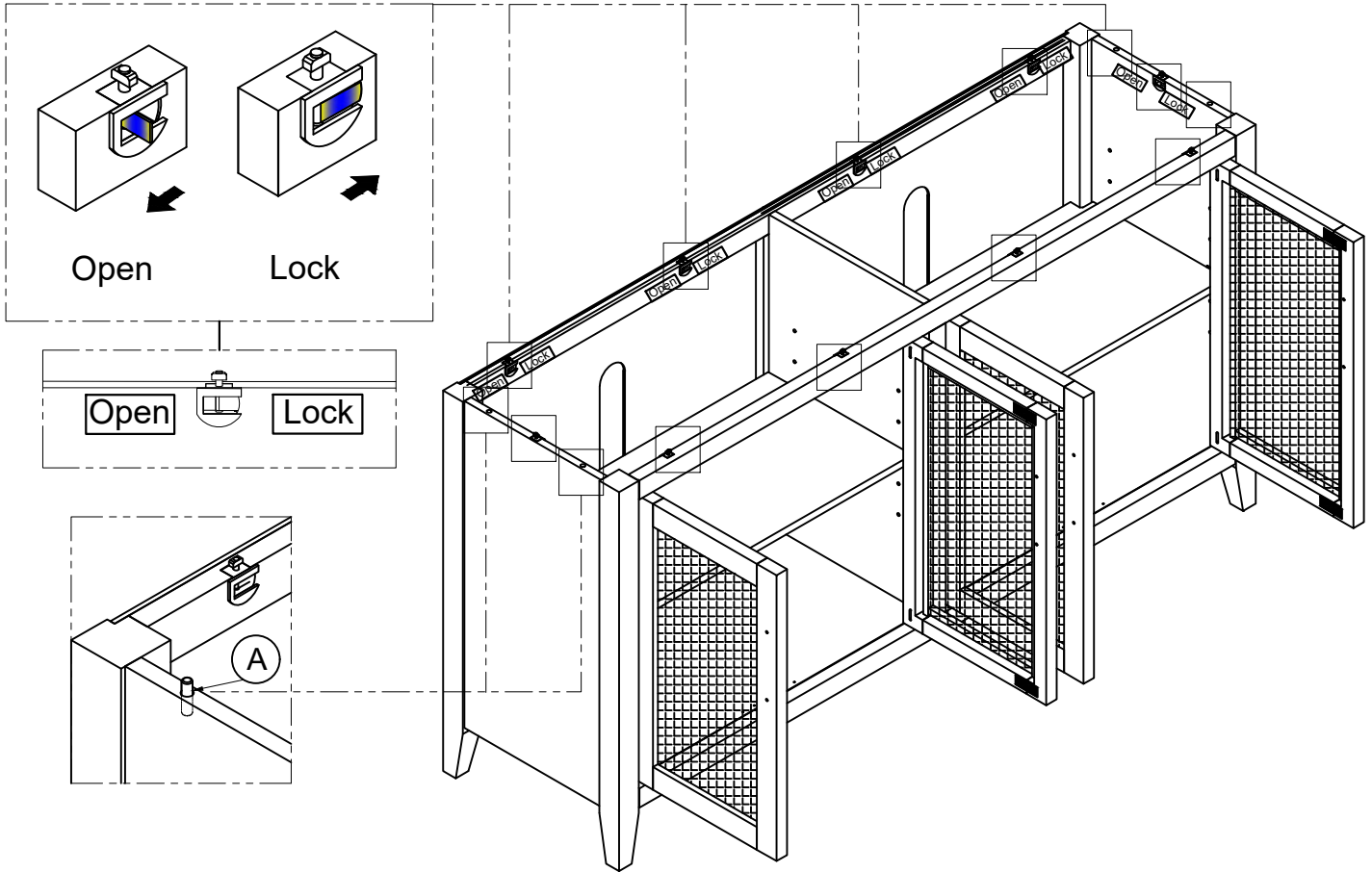
7

Ax4

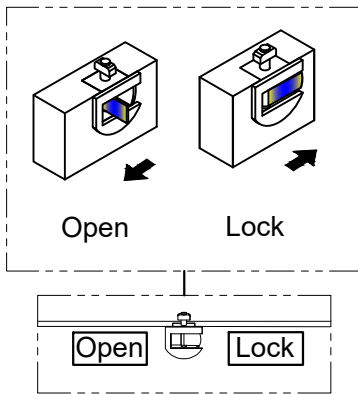


Ø8x20(mm)

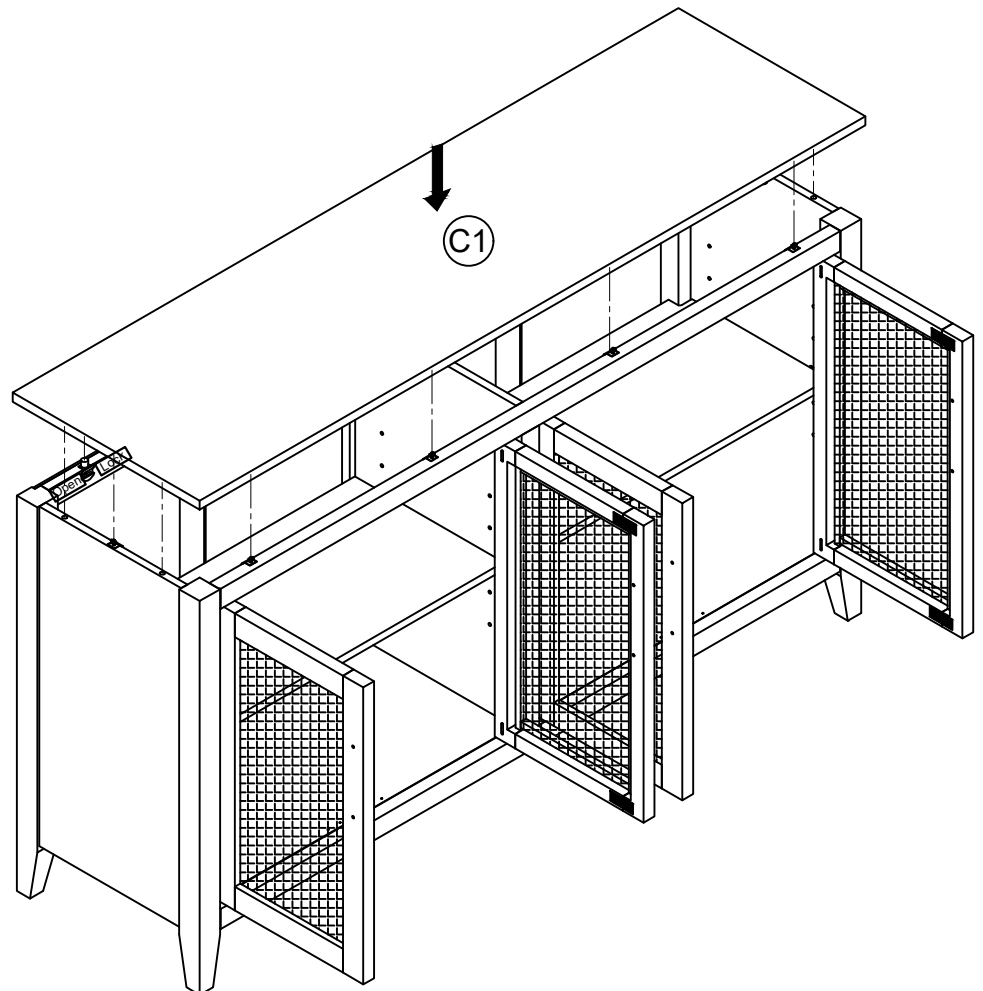
Make sure all latches are in the open position before installing Top Panel (C1)



8



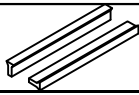
Make sure all 10 latches are in the locked position



7-8

9

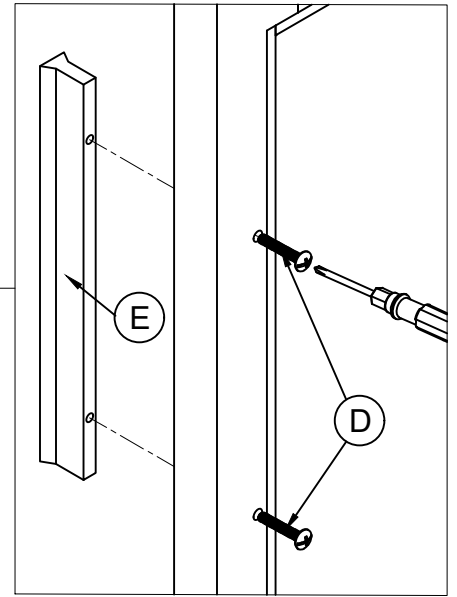
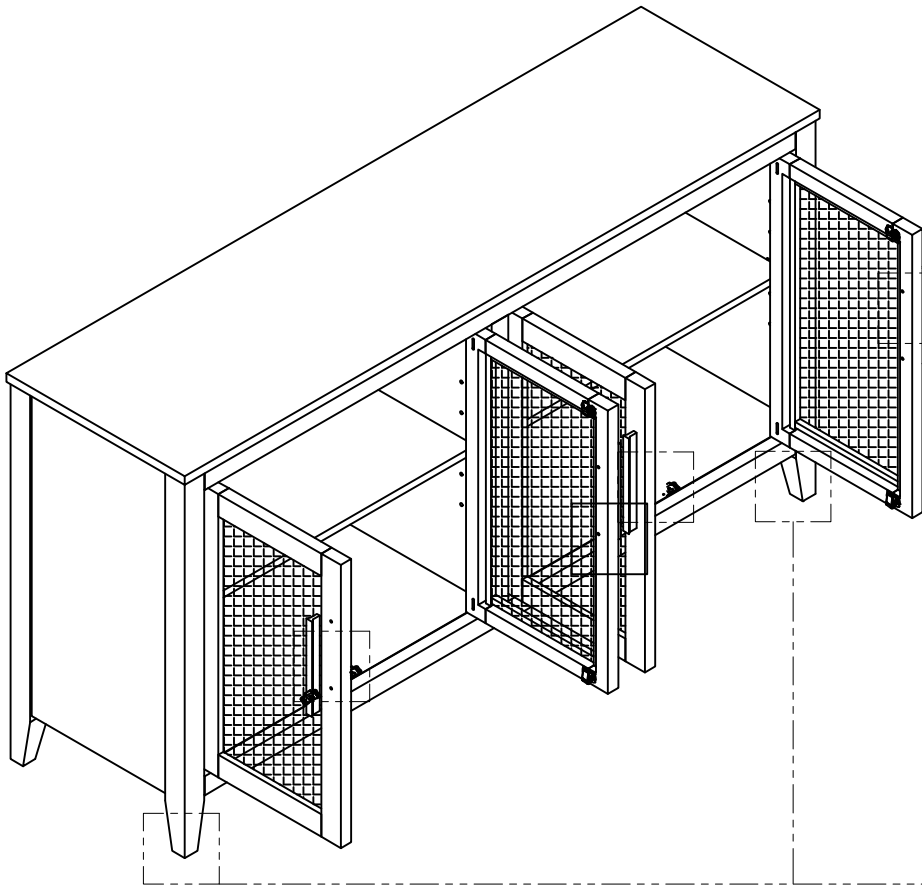
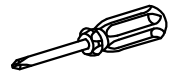
E x 4



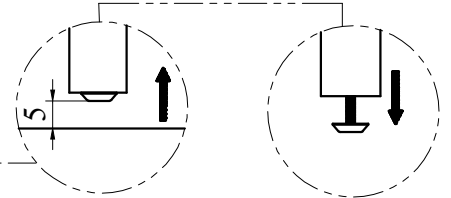
D x 8



Ø4x30(mm)



Adjustable Leveler Instructions



10

