

# Assembly Instructions

90973 Rustic Corner - Antique White

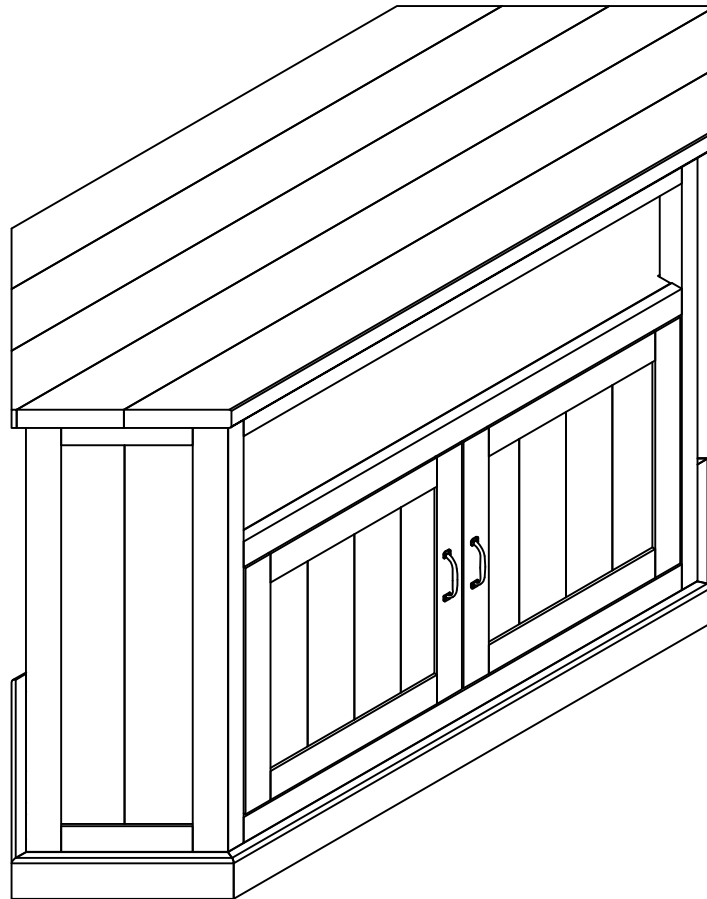
90975 Rustic Corner - Antique Black / Honey

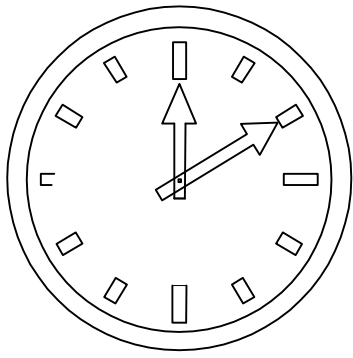
90976 Rustic Corner - Antique White / Honey

90978 Rustic Corner - Antique Espresso

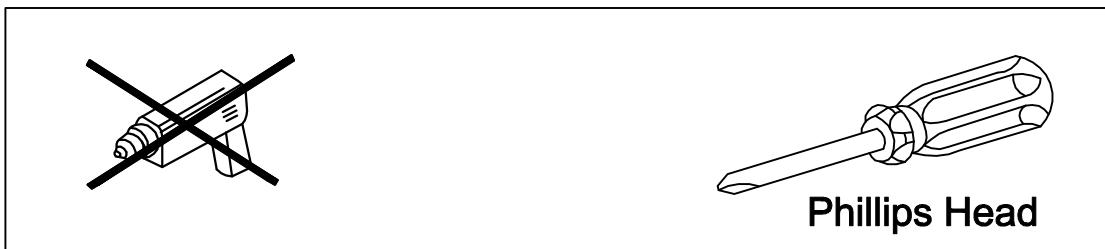
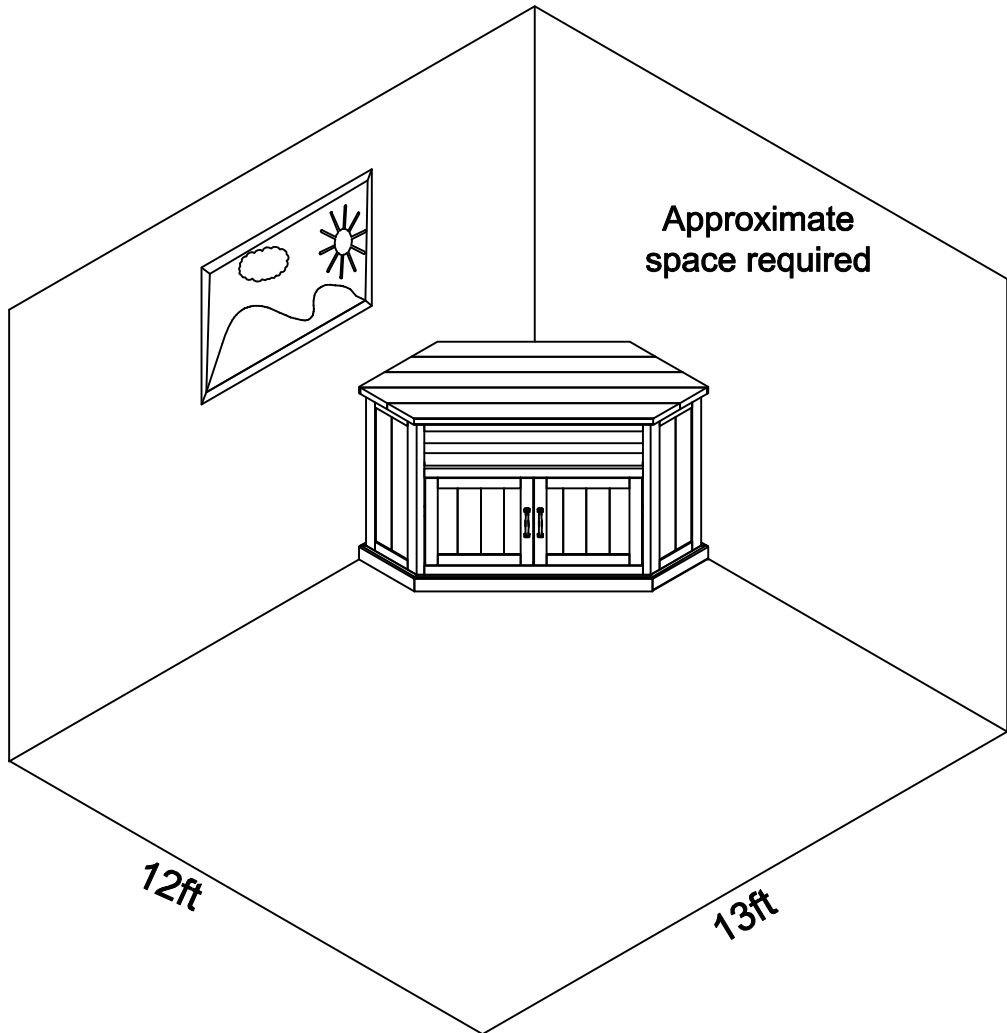
**Product Issues? Please Call Us Before Contacting Your Retailer At  
1-800-549-3300 or [mshome.co](http://mshome.co)**

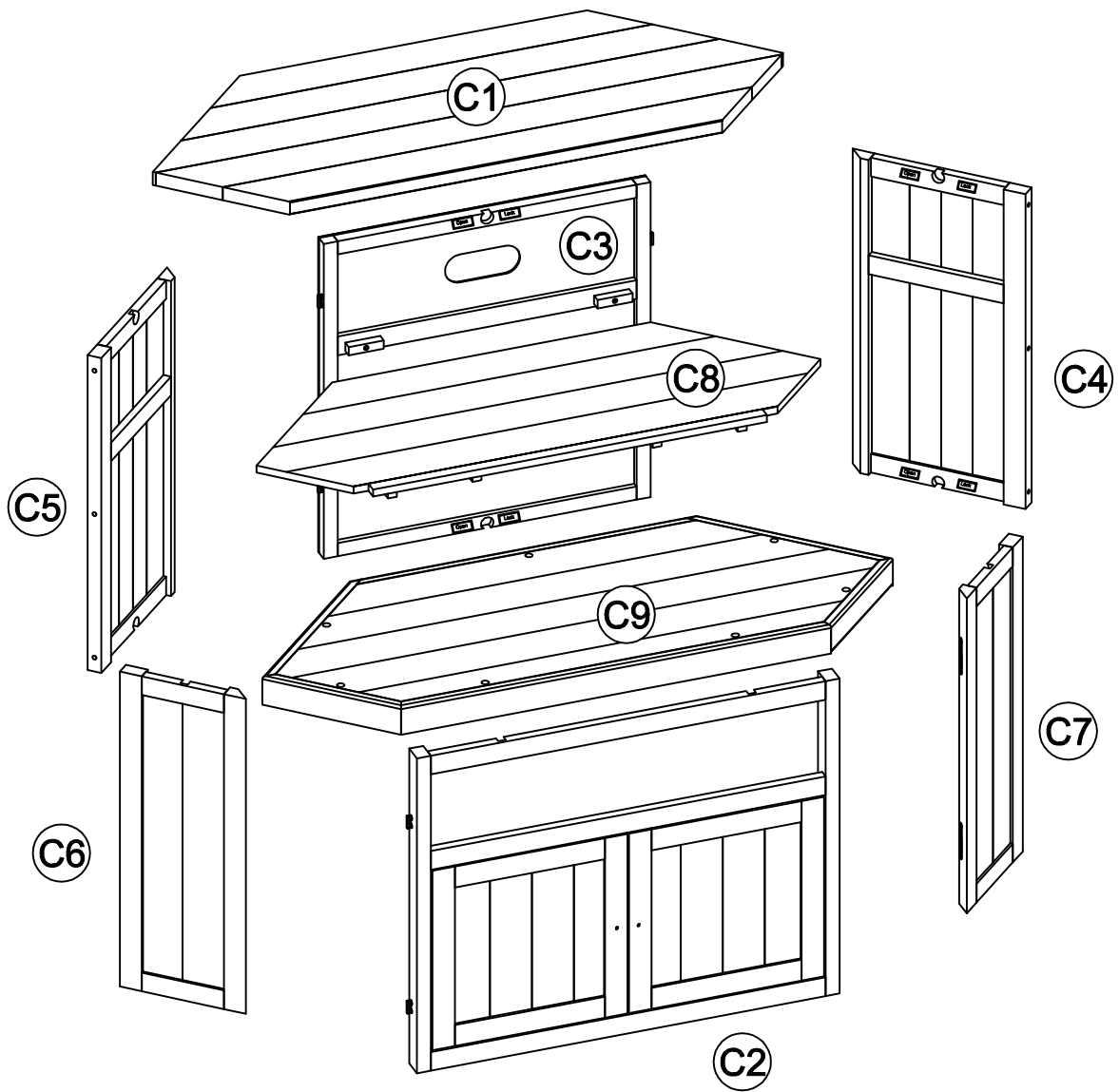
**We can help with Assembly Issues, Part Requests, Damages, & All Other  
Product Related Questions**



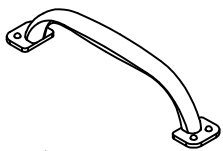


10 min



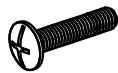


**A**



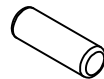
2 pcs

**B**

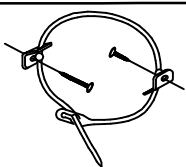


Ø4x25 (mm): 4 pcs

**C**

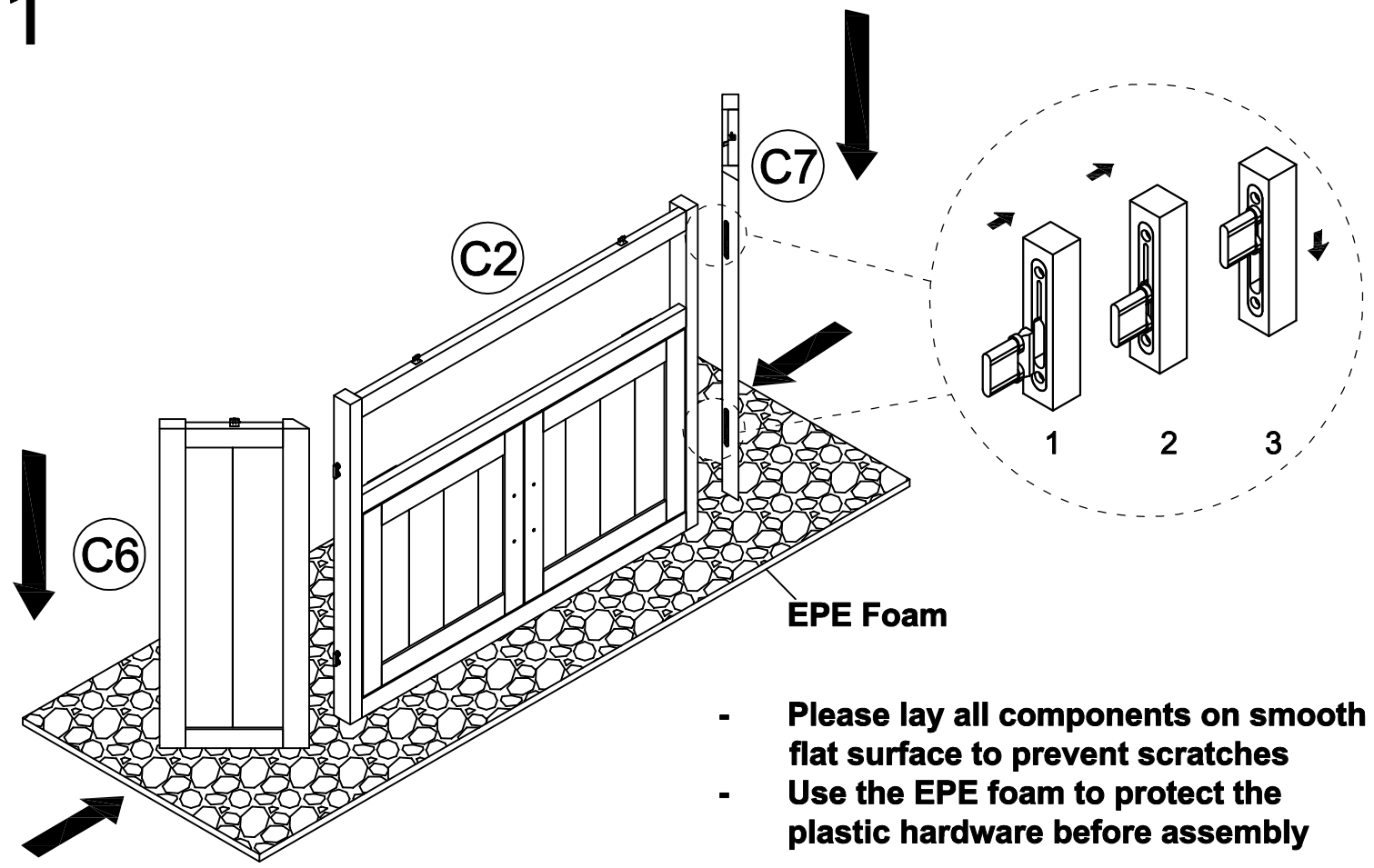


Ø8x20: 6 pcs



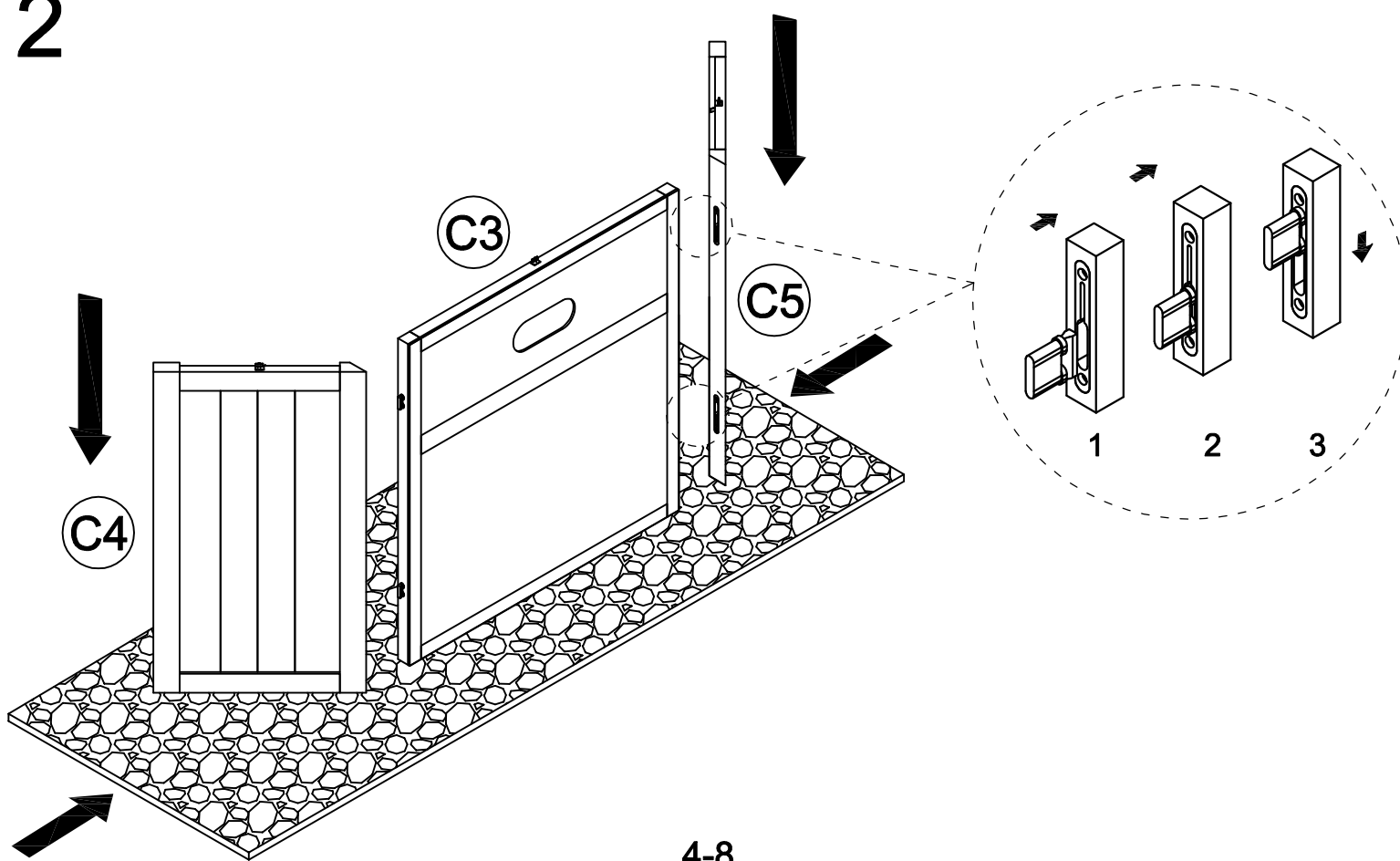
**ANTI-TIP SET**

1



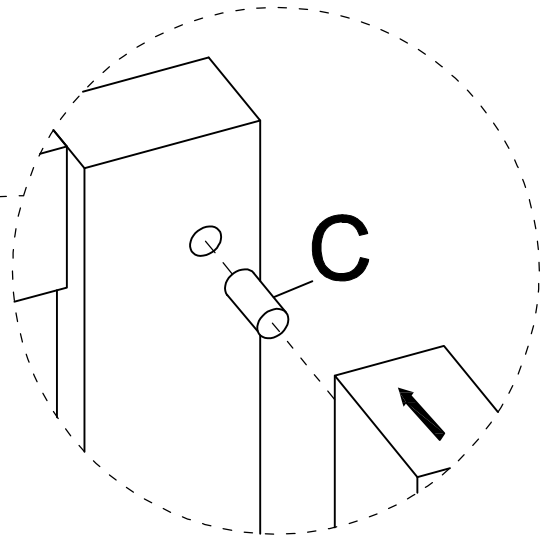
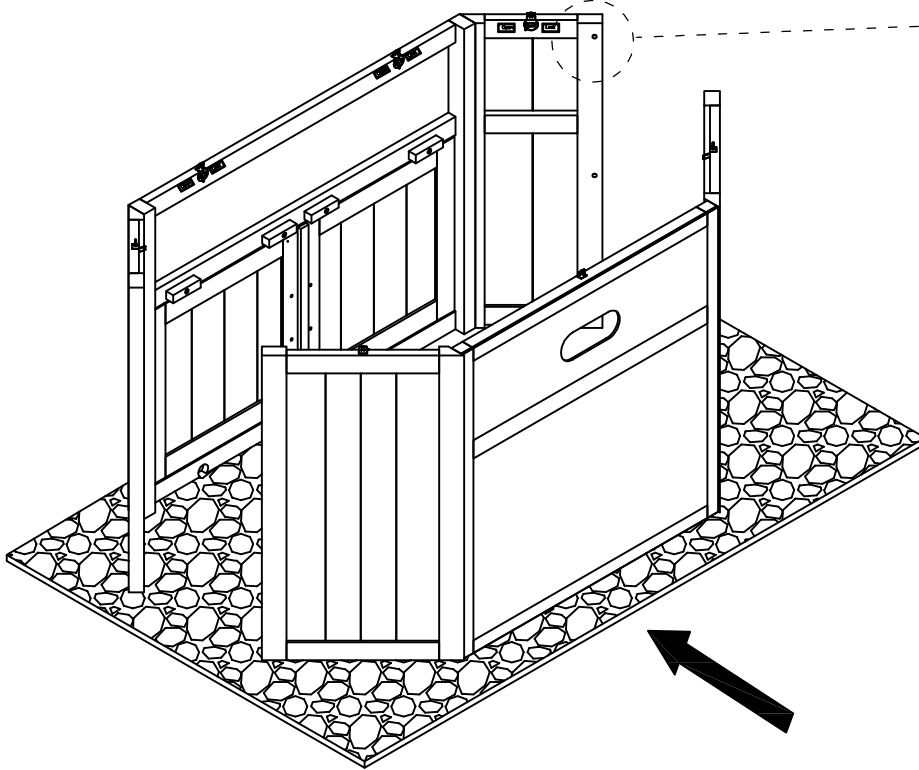
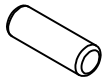
- Please lay all components on smooth flat surface to prevent scratches
- Use the EPE foam to protect the plastic hardware before assembly

2



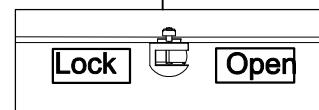
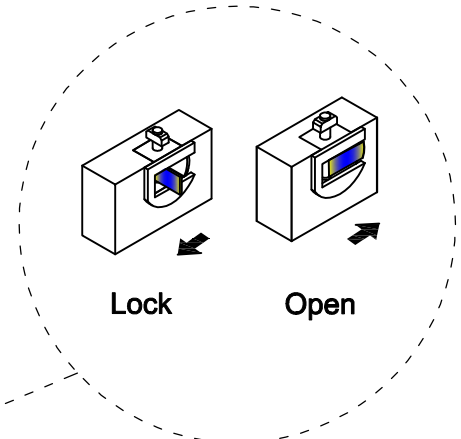
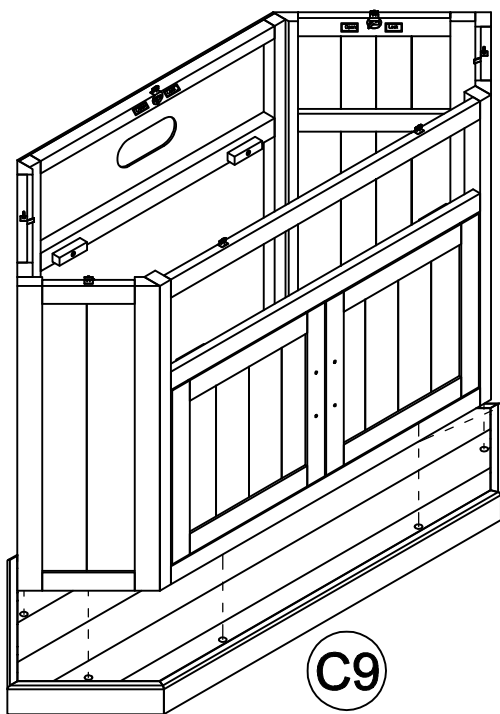
# 3

C x 6



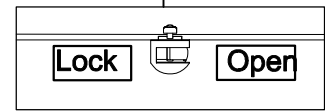
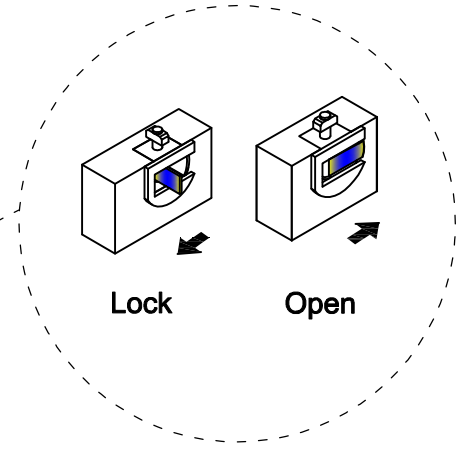
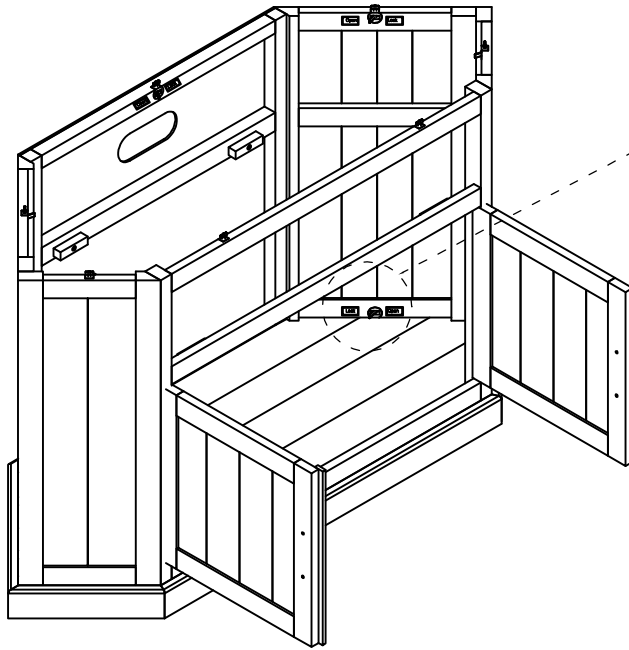
Place dowels into holes and attach front and back together

# 4



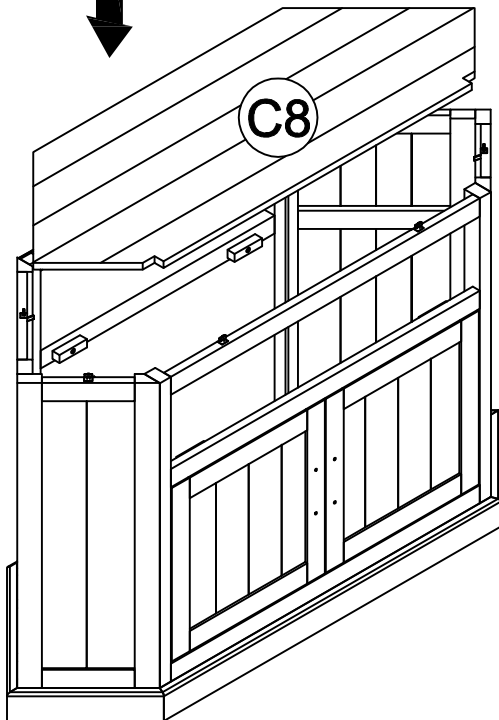
Make sure all latches are in the open position before installing Bottom Panel (C9)

5



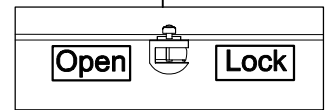
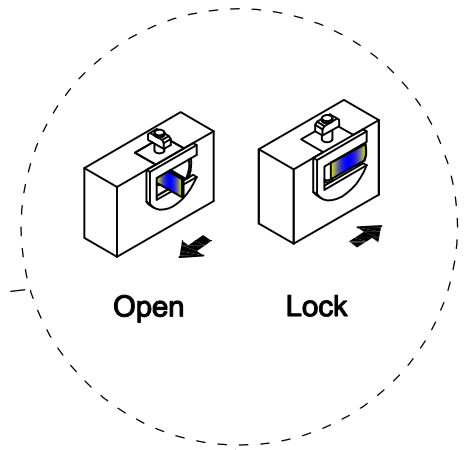
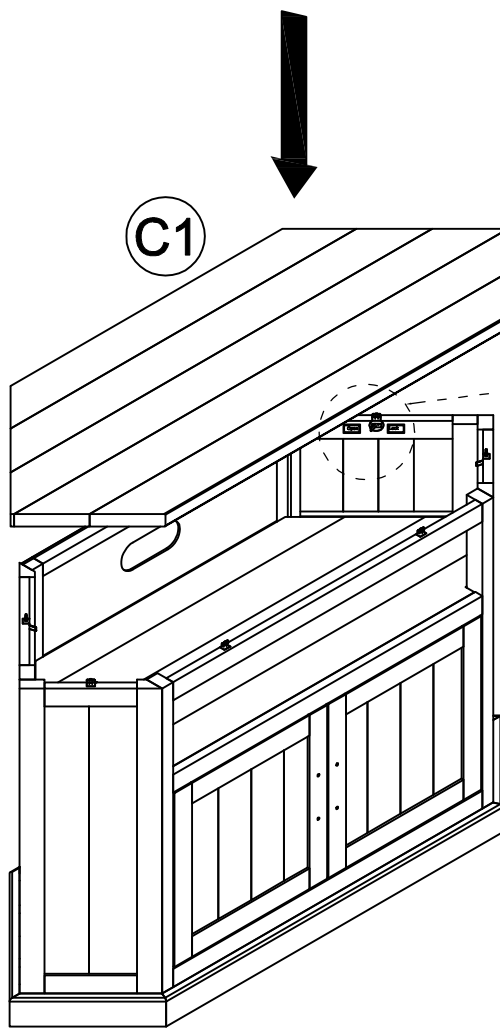
Make sure all latches are in the locked position before moving to next step

6



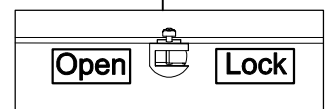
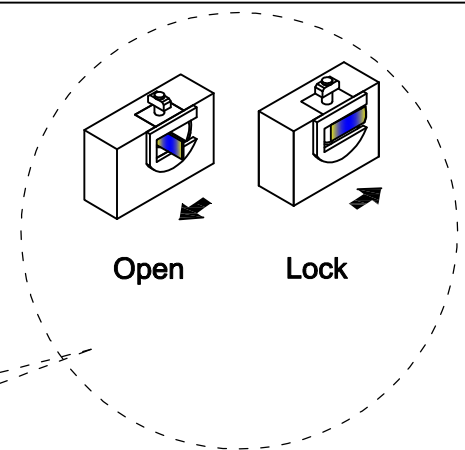
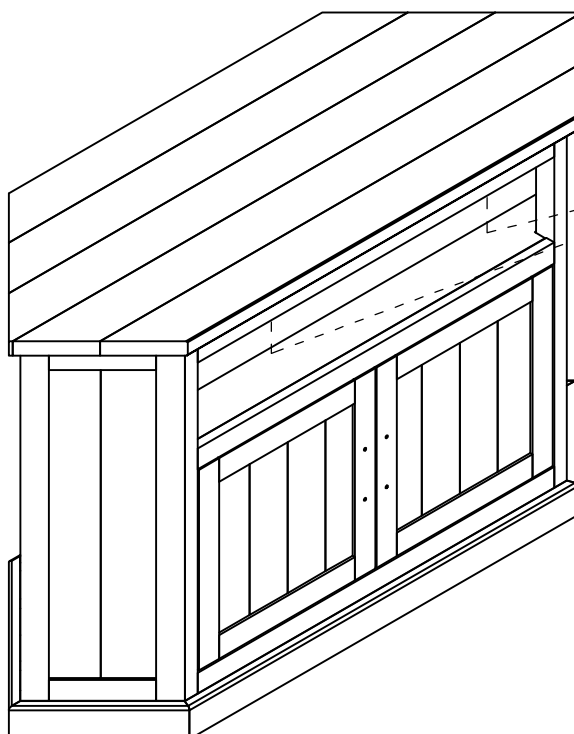
Place Middle Shelf (C8) into position onto cleats. Make sure part is laying flush.

7



Make sure all latches are in the open position before installing Top Panel (C1)

8



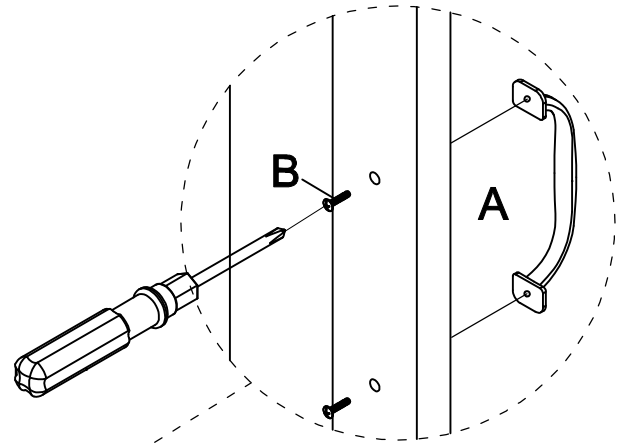
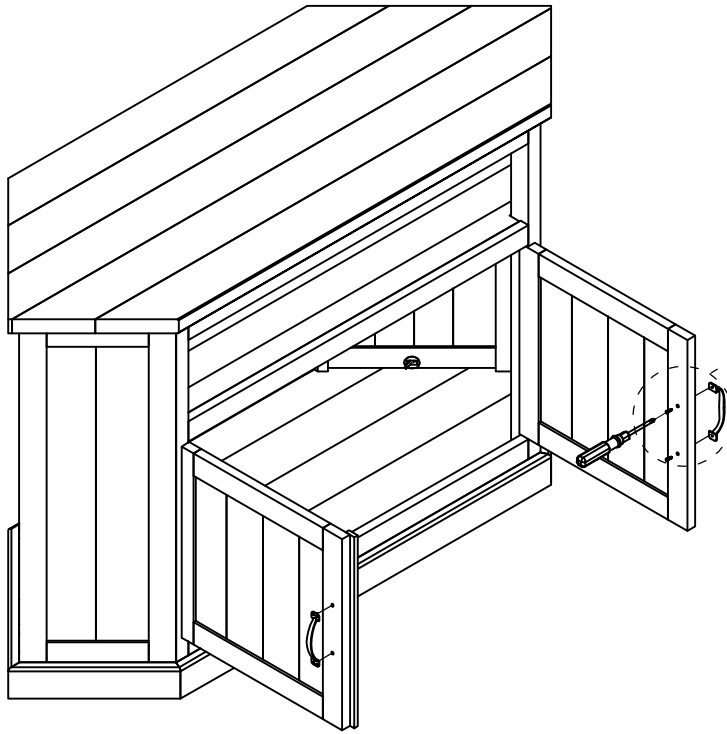
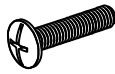
Make sure all latches are in the locked position

9

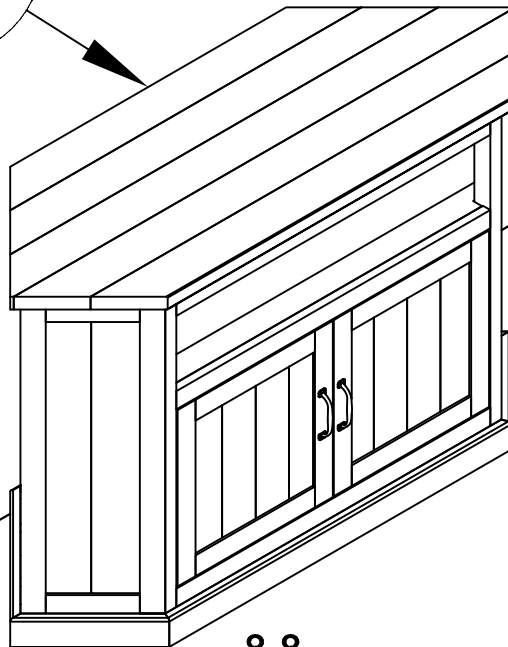
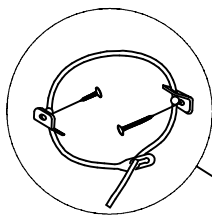
A x 2



B x 4



10



8-8