

Assembly Instructions

909803 Monterey - White Stain

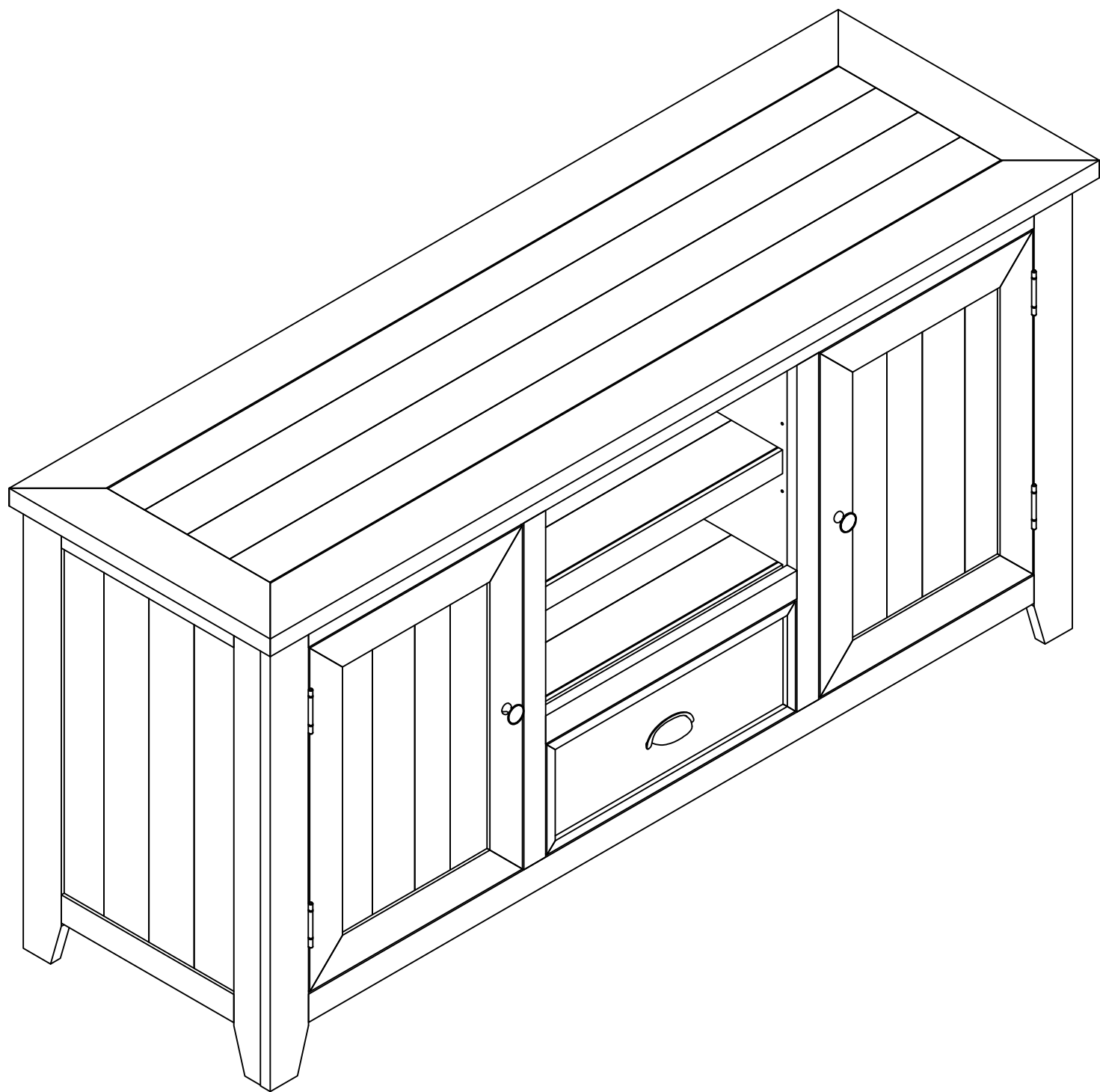
909804 Monterey - Natural

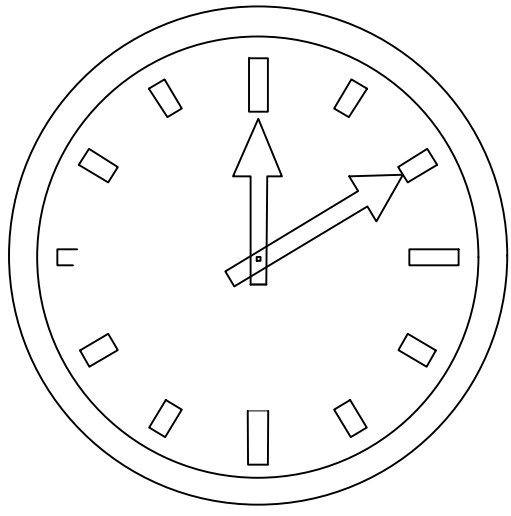
909805 Monterey - White Stain / Grey Top

Product Issues? Please Call Us Before Contacting Your Retailer

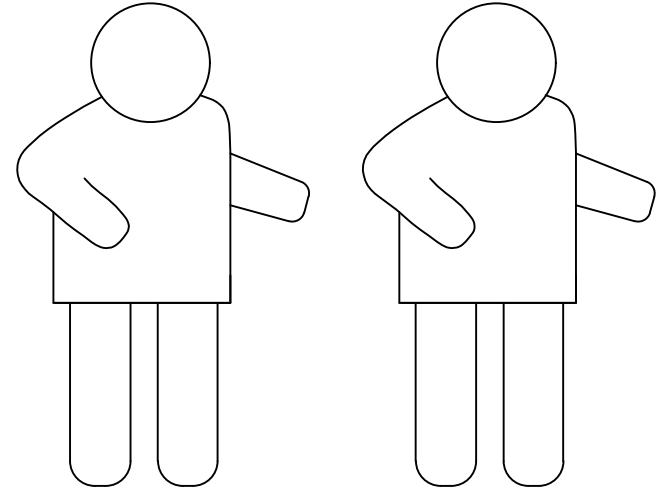
At 1-800-549-3300 www.mshome.co

**We can help with Assembly Issues, Part Requests,
Damages, & All Other Product Related Questions**

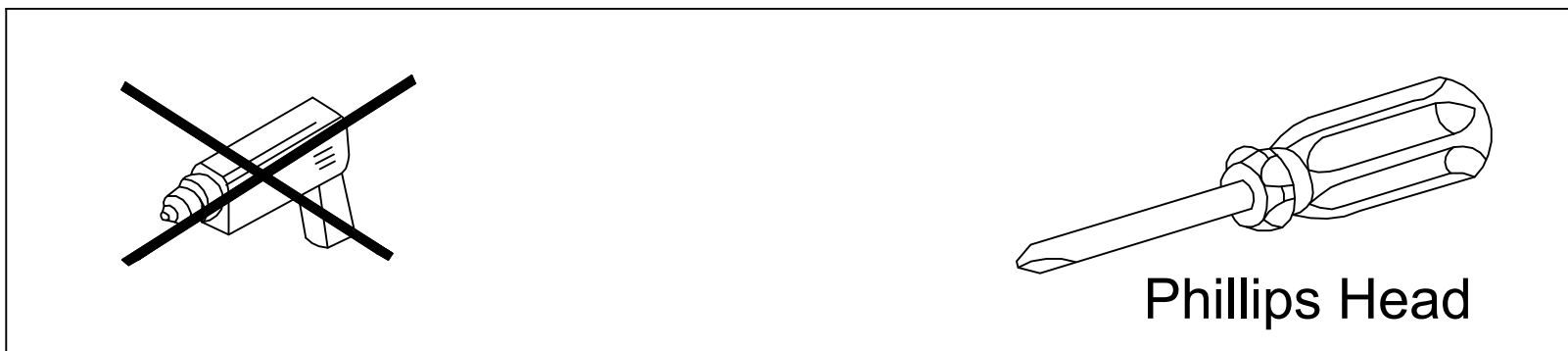
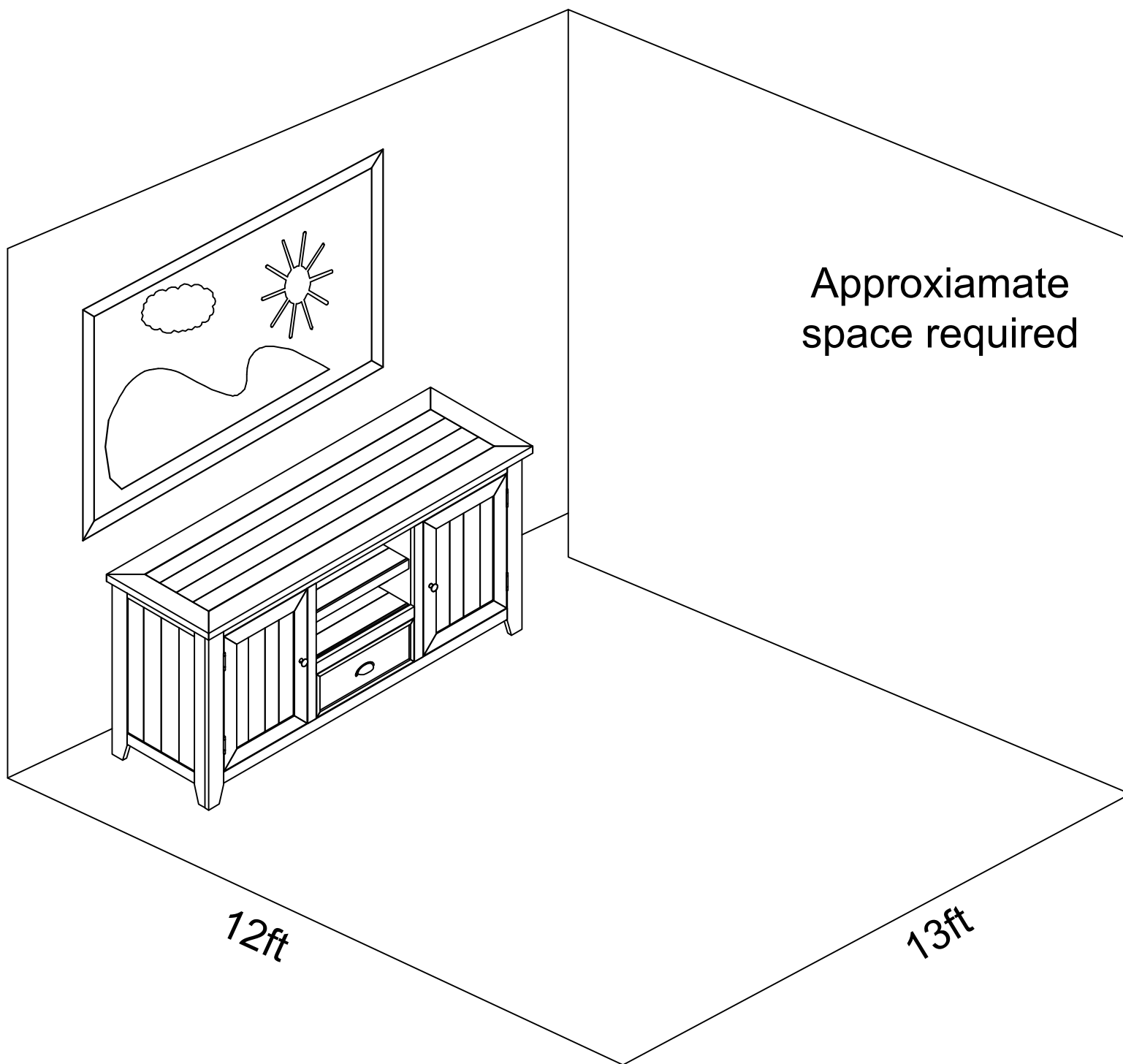




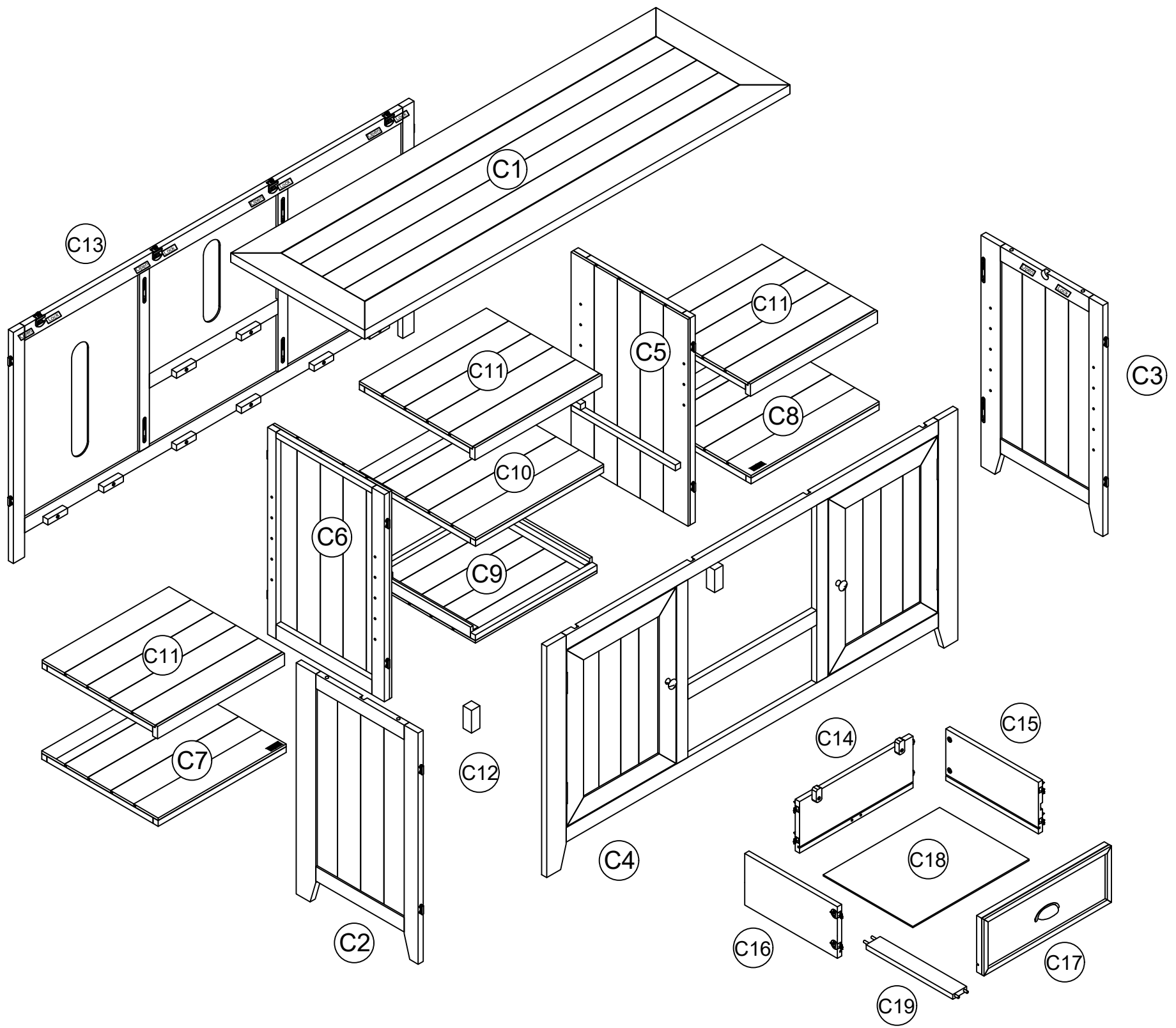
10 min

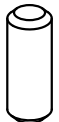
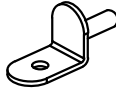
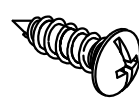
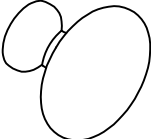



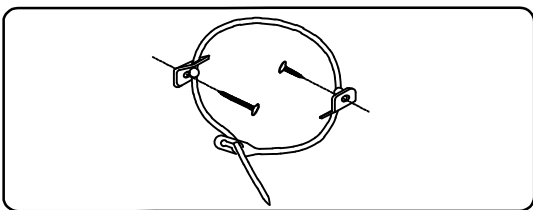
Two People Required



Phillips Head



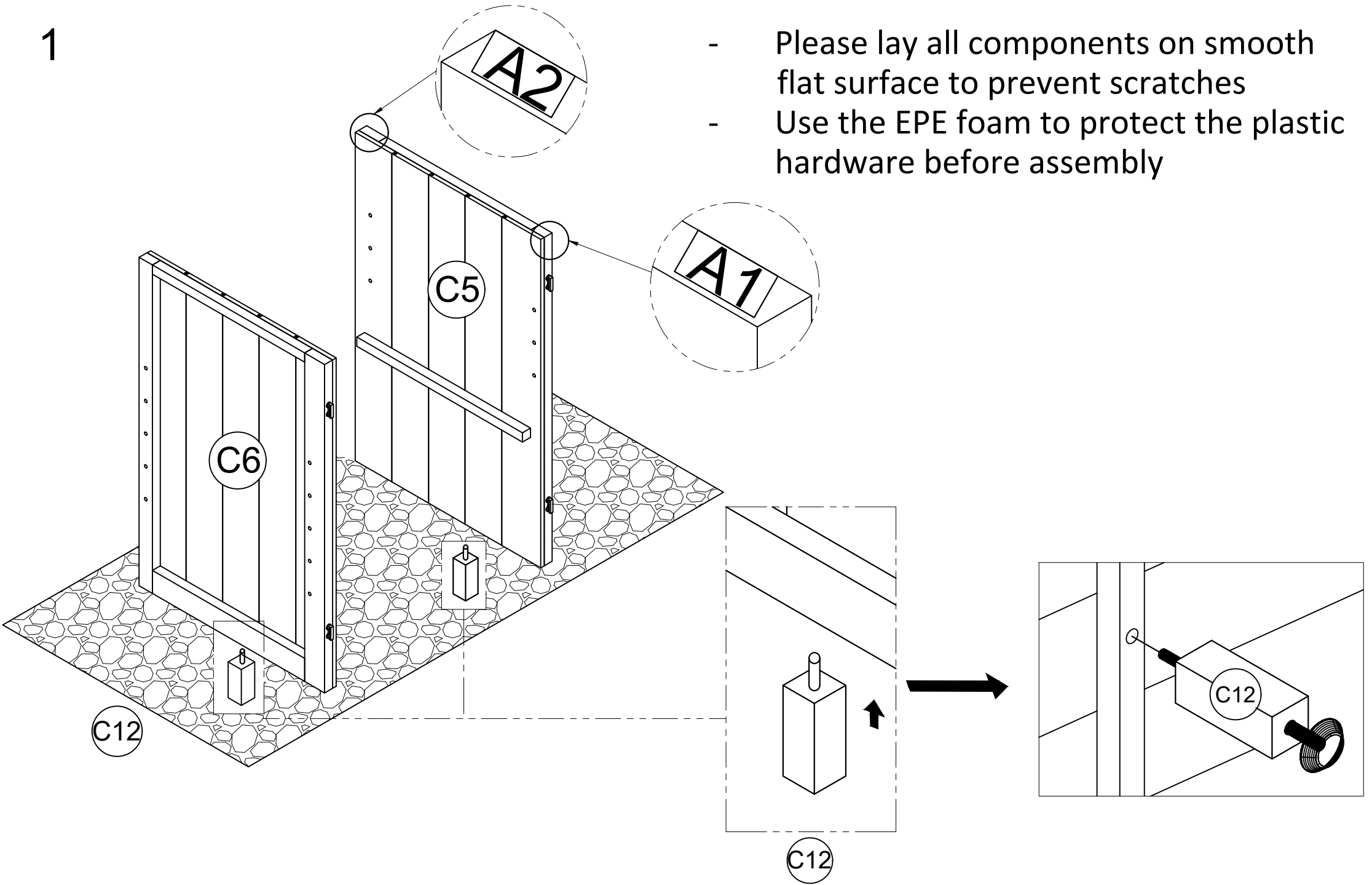
<p>A</p>  <p>Ø8x20 (mm) 4pcs</p>	<p>B</p>  <p>12pcs</p>	<p>C</p>  <p>Ø3.5x15 (mm) 12pcs</p>	<p>D</p>  <p>2 pcs</p>	<p>E</p>  <p>Ø4x25 (mm) 2pcs</p>
--	--	---	--	--



ANTI-TIP SET

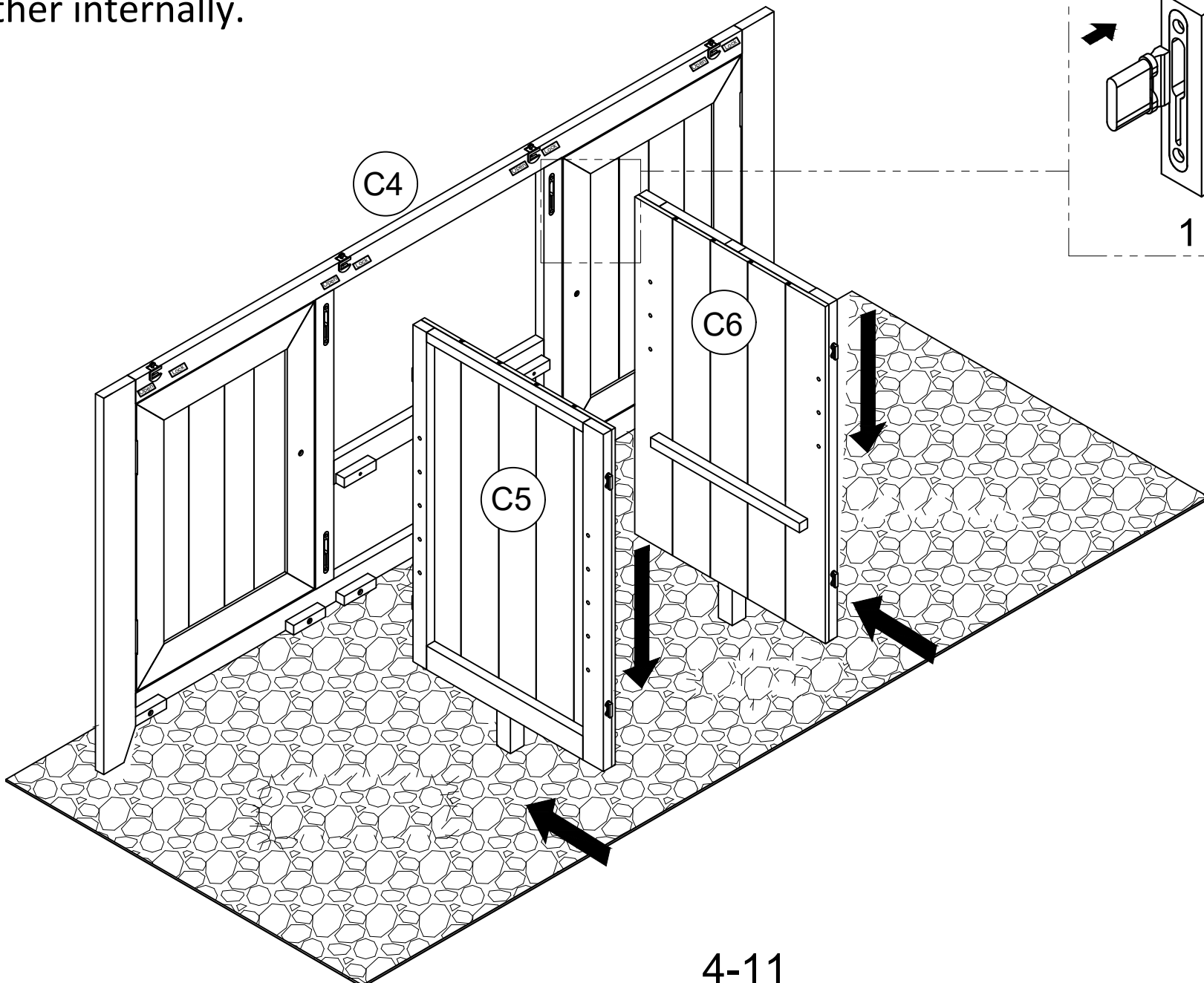
1

- Please lay all components on smooth flat surface to prevent scratches
- Use the EPE foam to protect the plastic hardware before assembly

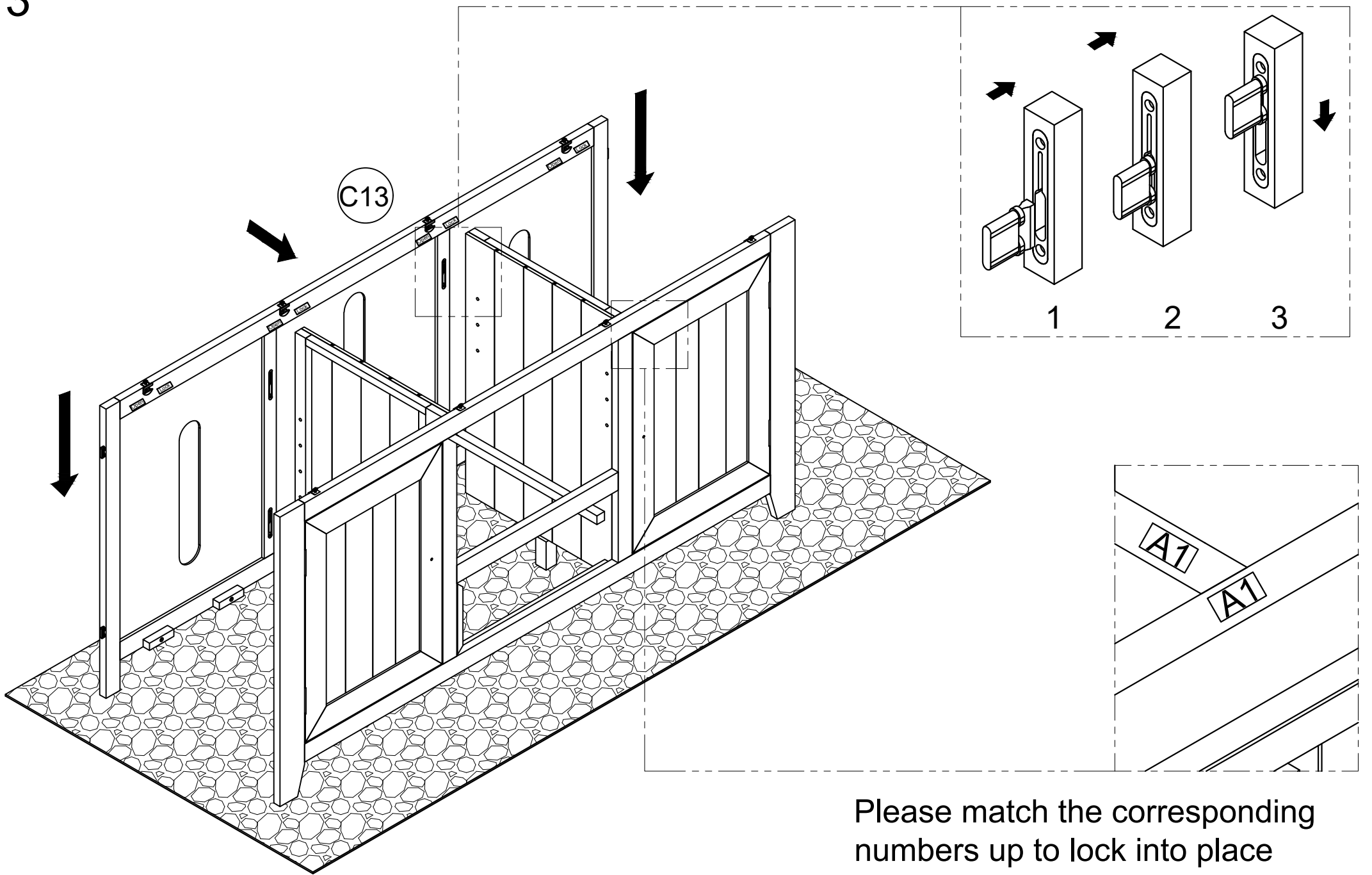


2

To assemble the two interior partitions (C5), (C6) please note the drawer slides must face each other internally.

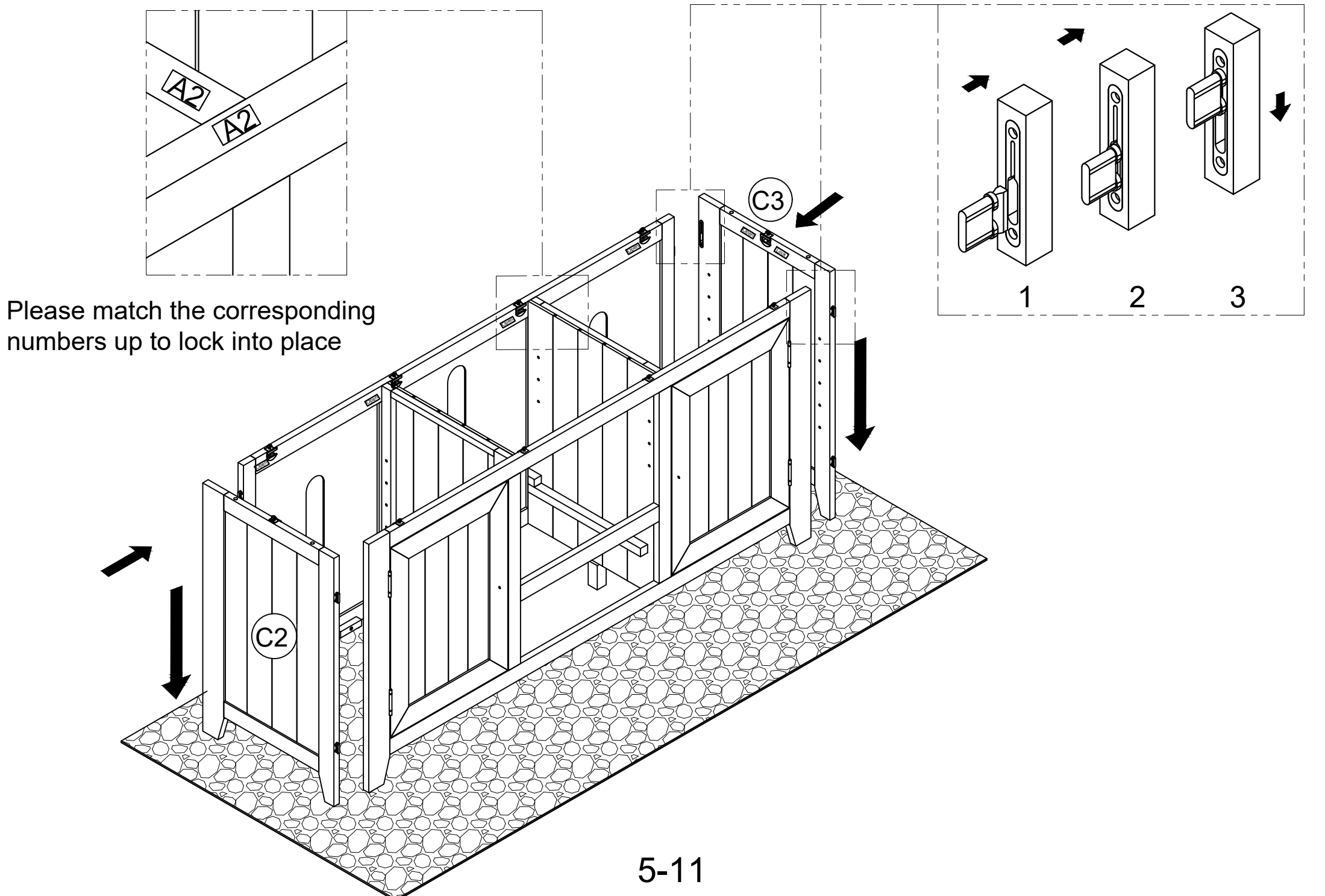


3



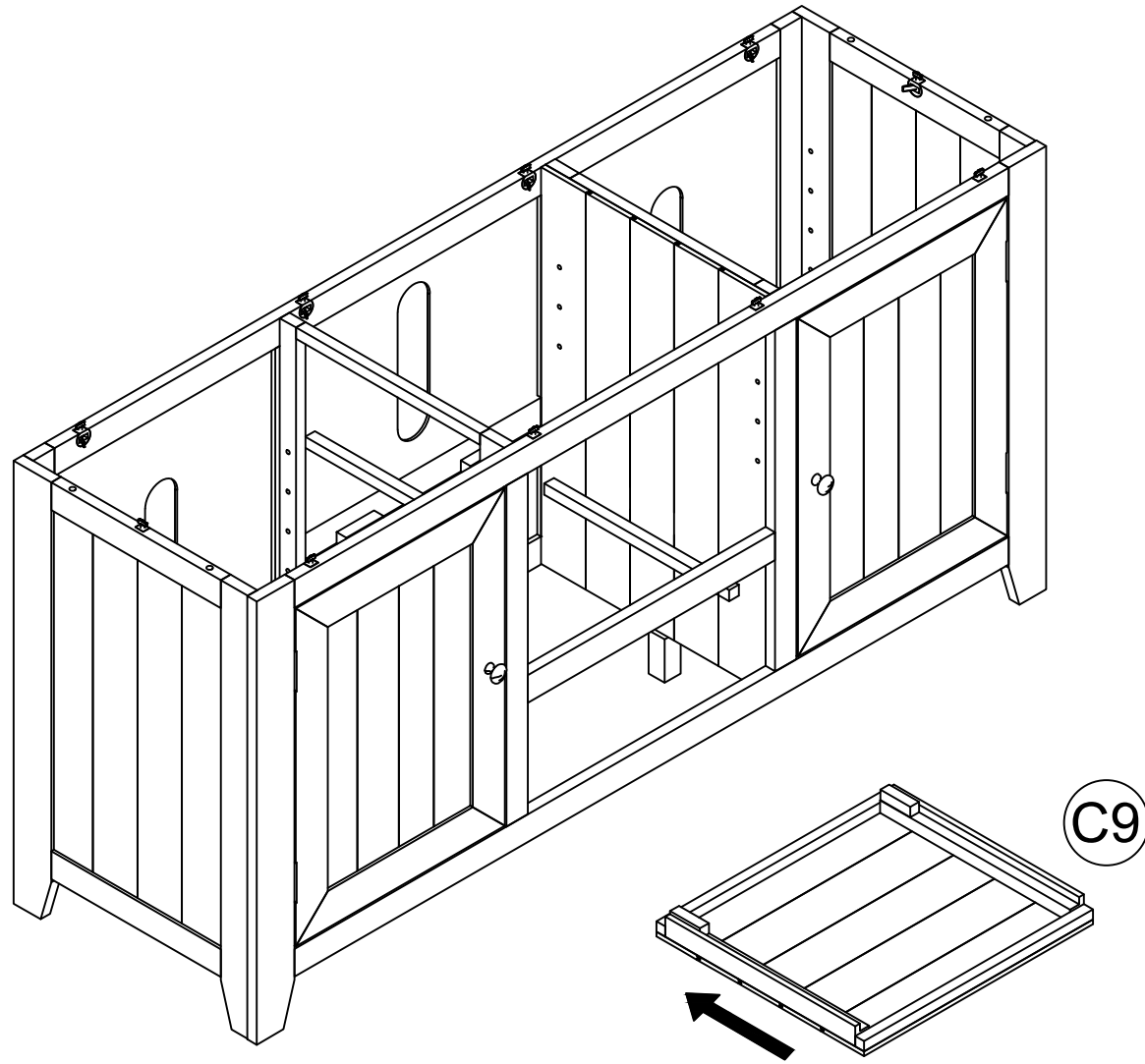
Please match the corresponding numbers up to lock into place

4

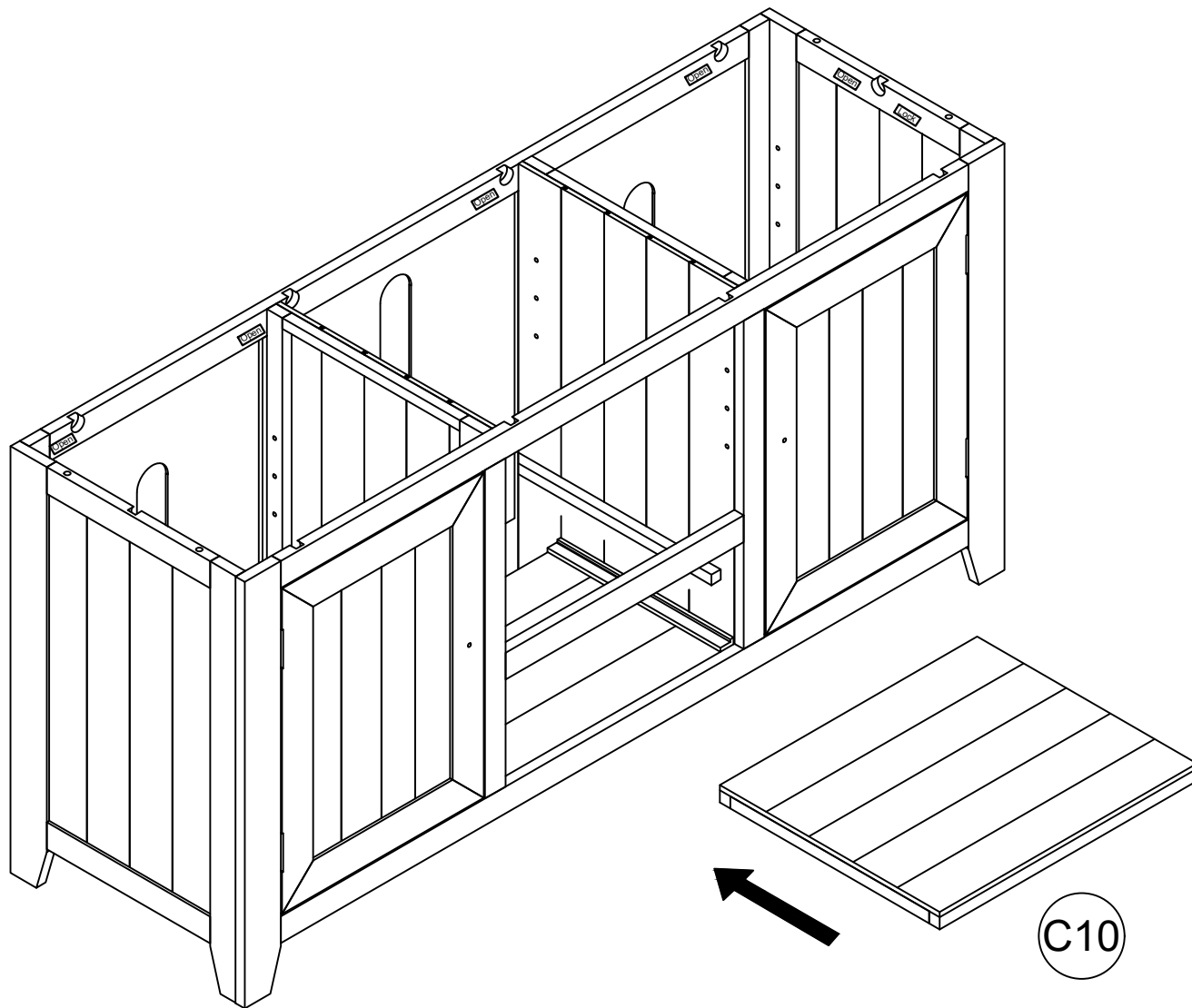


Please match the corresponding numbers up to lock into place

5
Place one panel (C9) into bottom of stand and lay flush on cleats

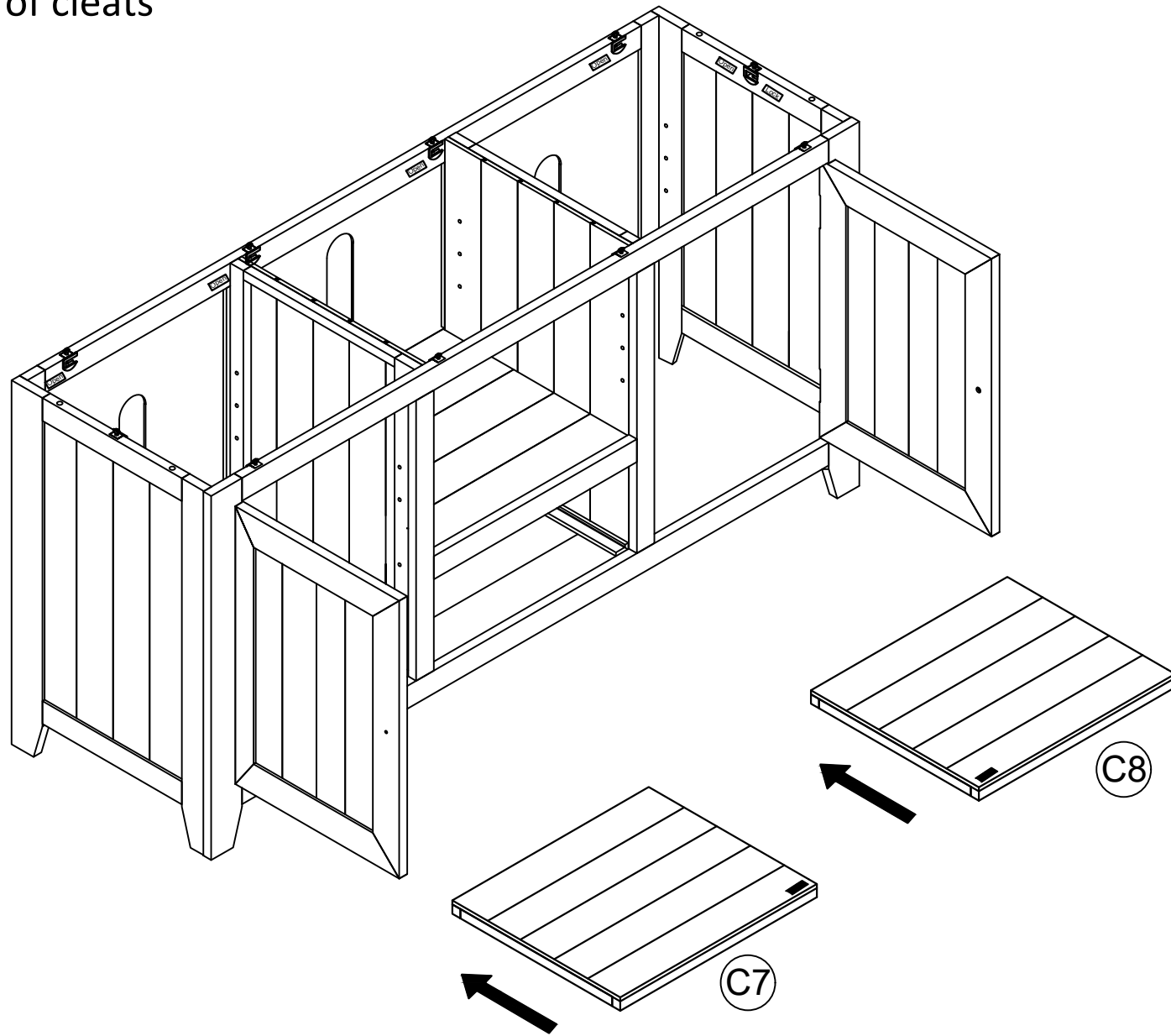


6
Place one panel (C10) on top of cleats above drawer slides creating an area for drawer

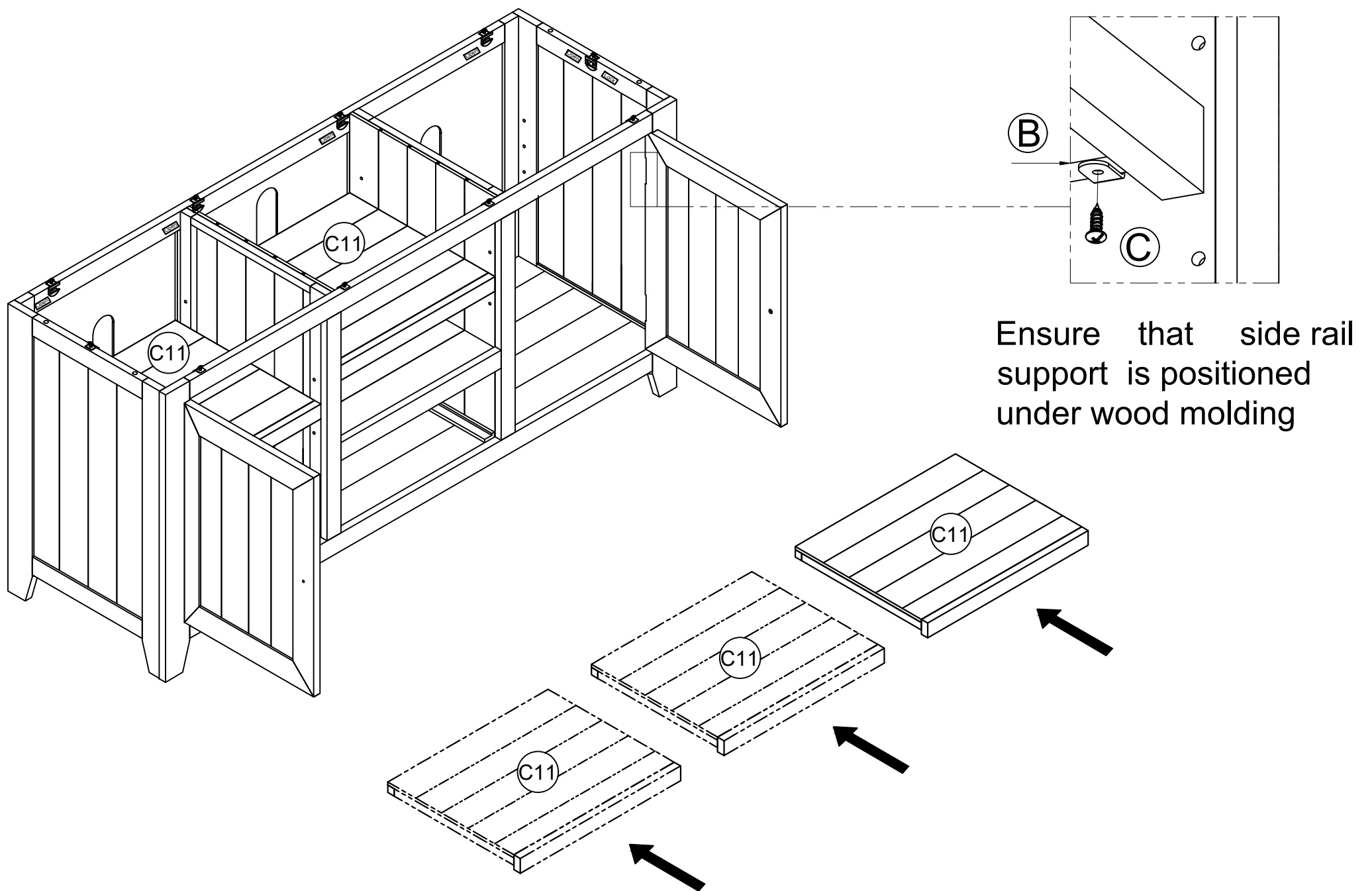
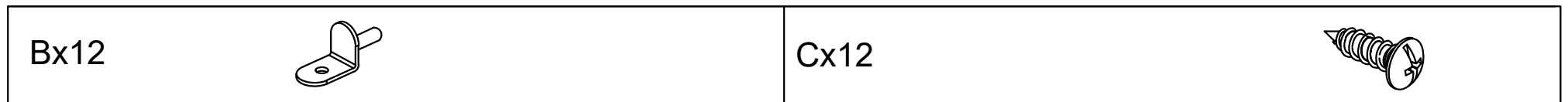


7

Place (C7) and (C8) panels into correct position by laying flush on top of cleats



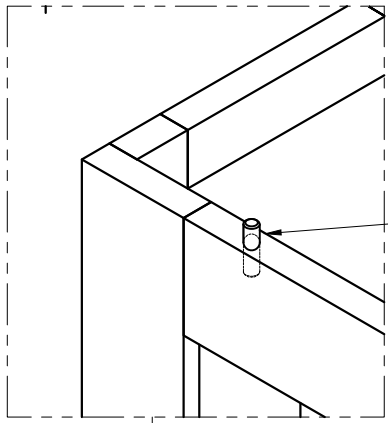
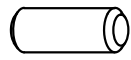
8



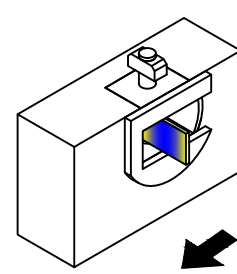
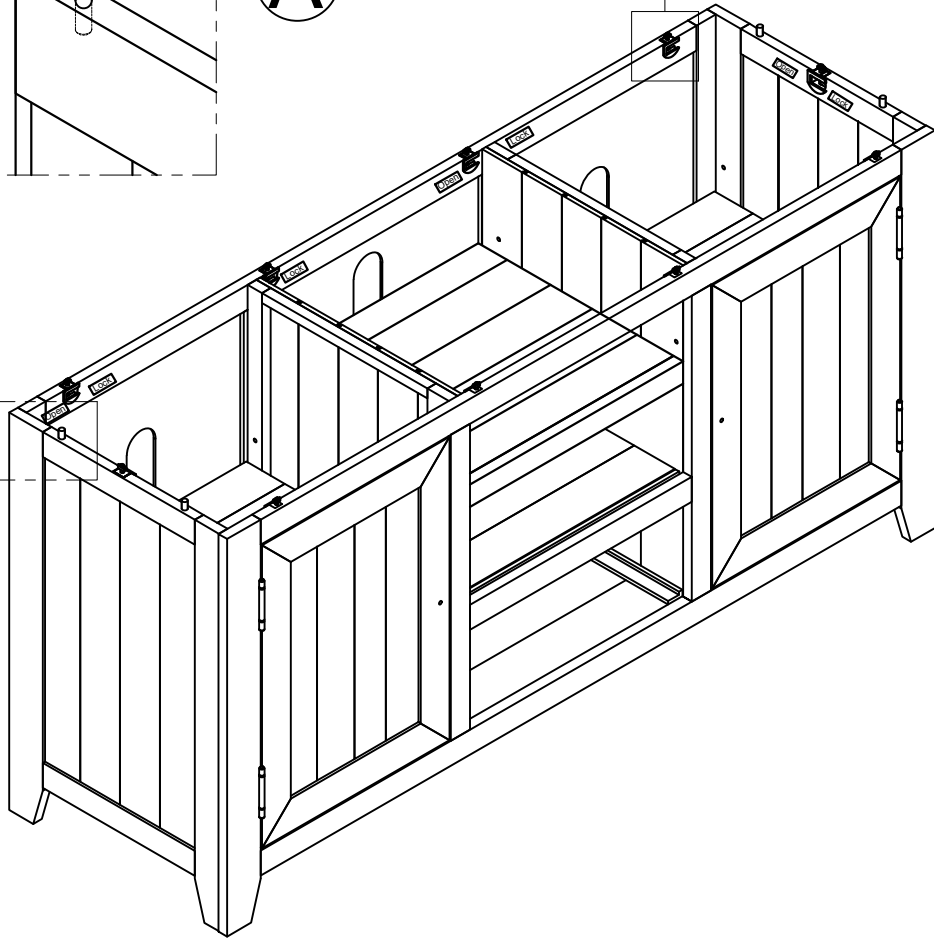
7-11

9

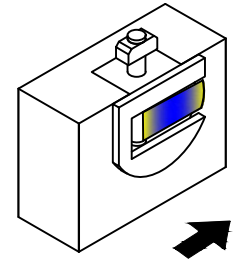
Ax4



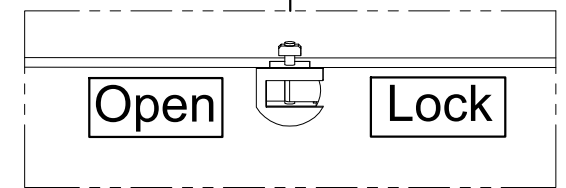
A



Open

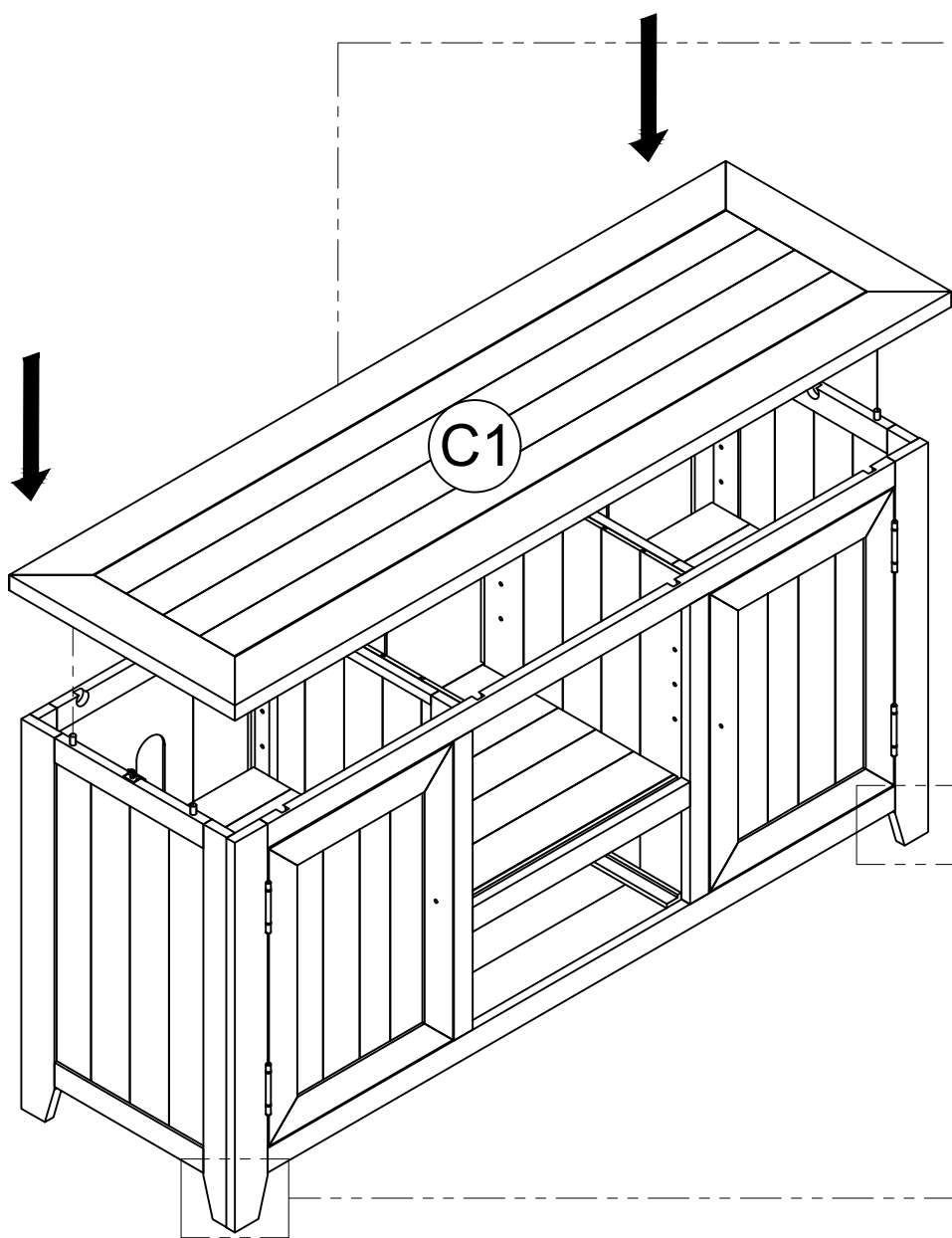


Lock

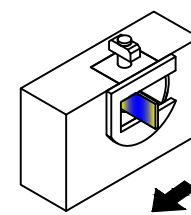


Make sure all latches are in the open position before installing Top Panel (C1)

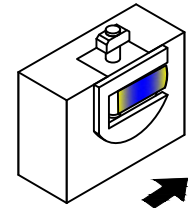
10



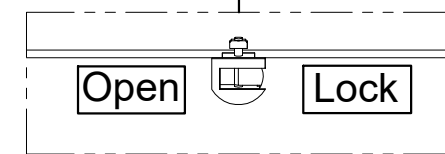
C1



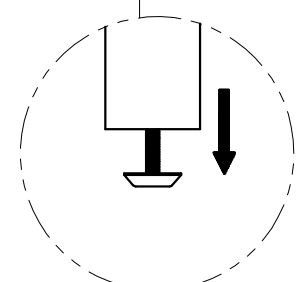
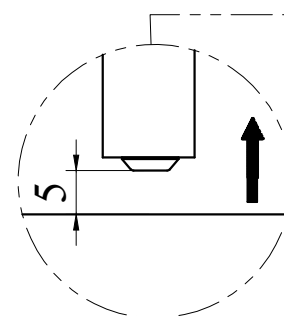
Open



Lock



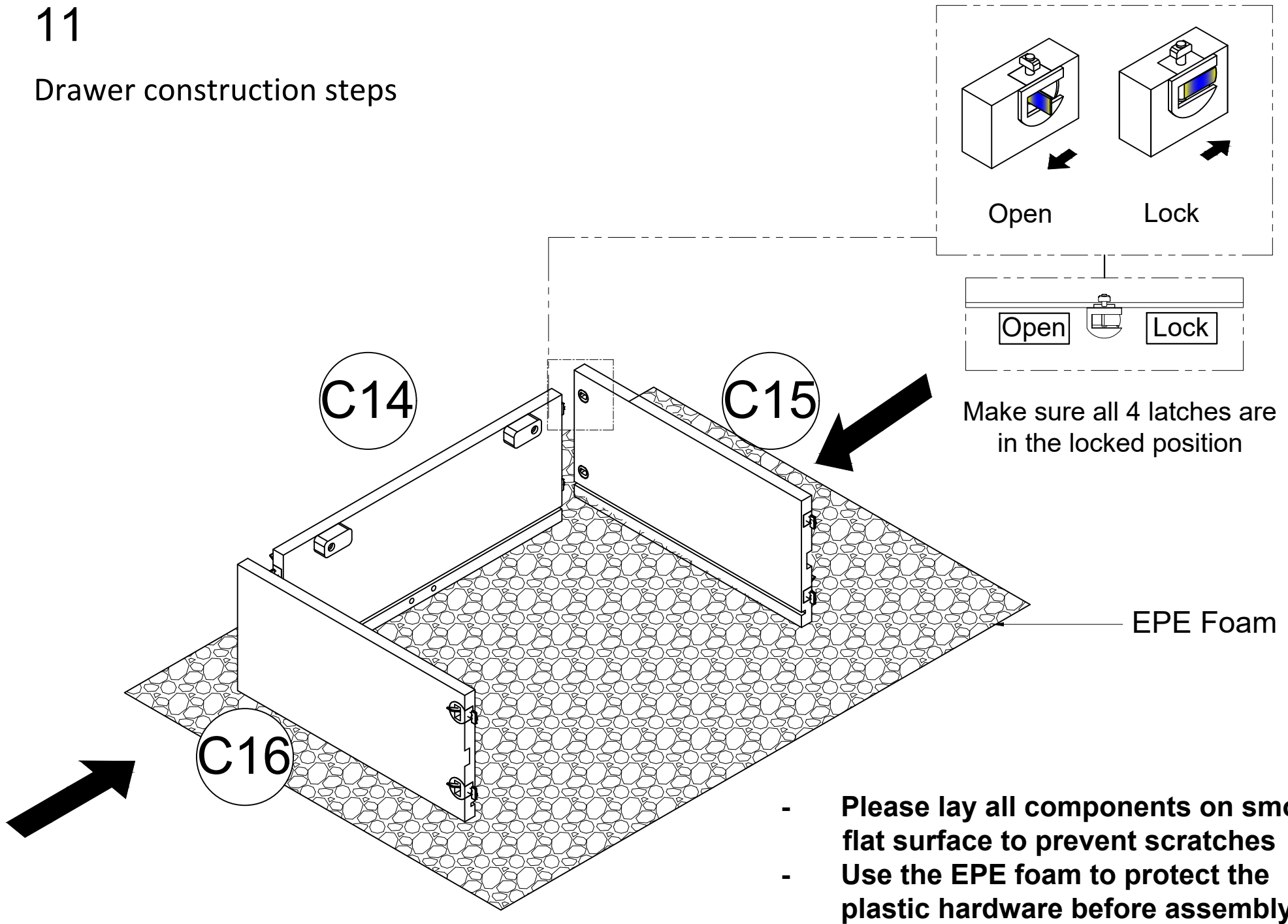
Make sure all 10 latches are in the locked position



Adjustable Leveler Instructions

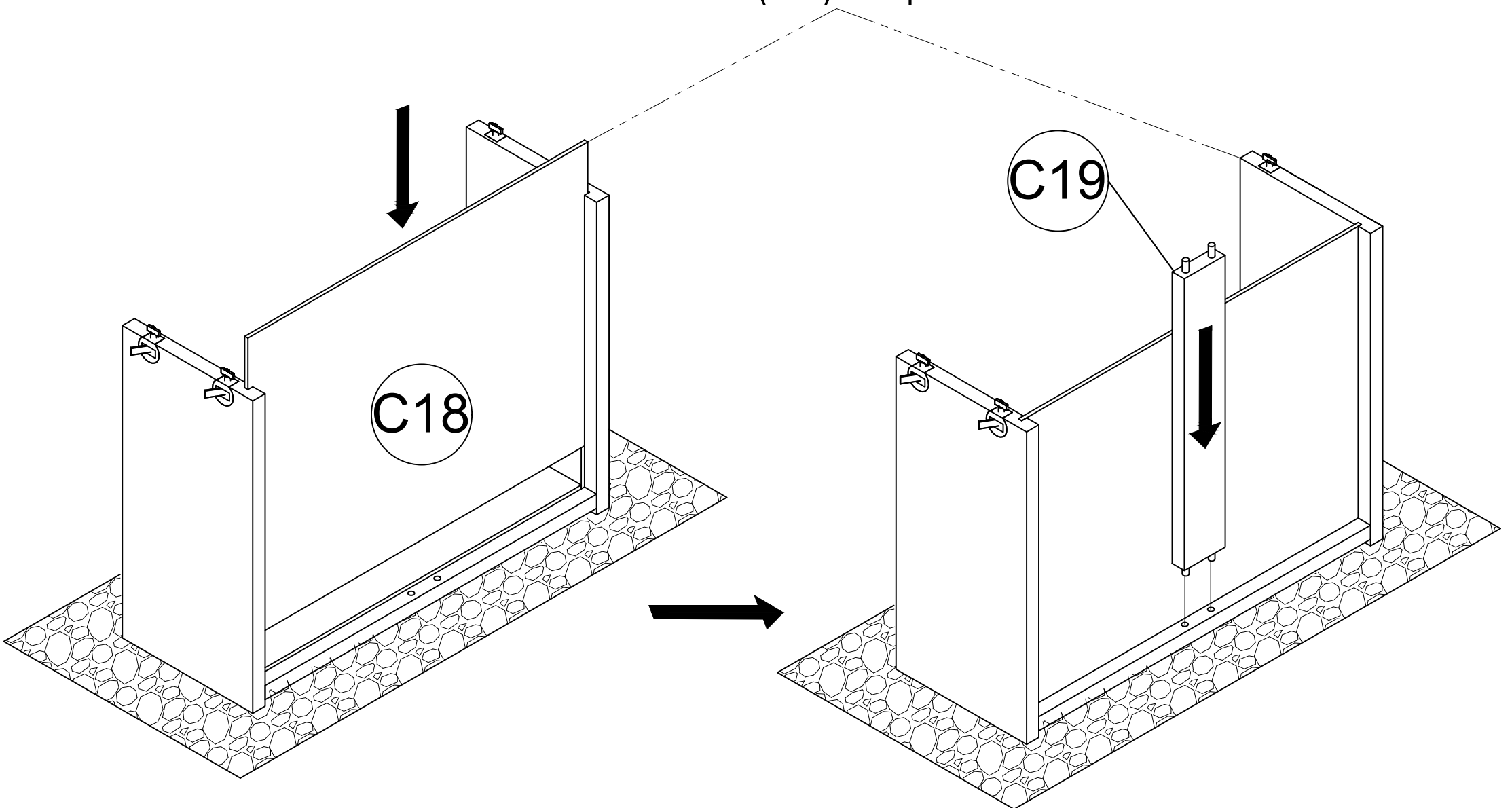
11

Drawer construction steps

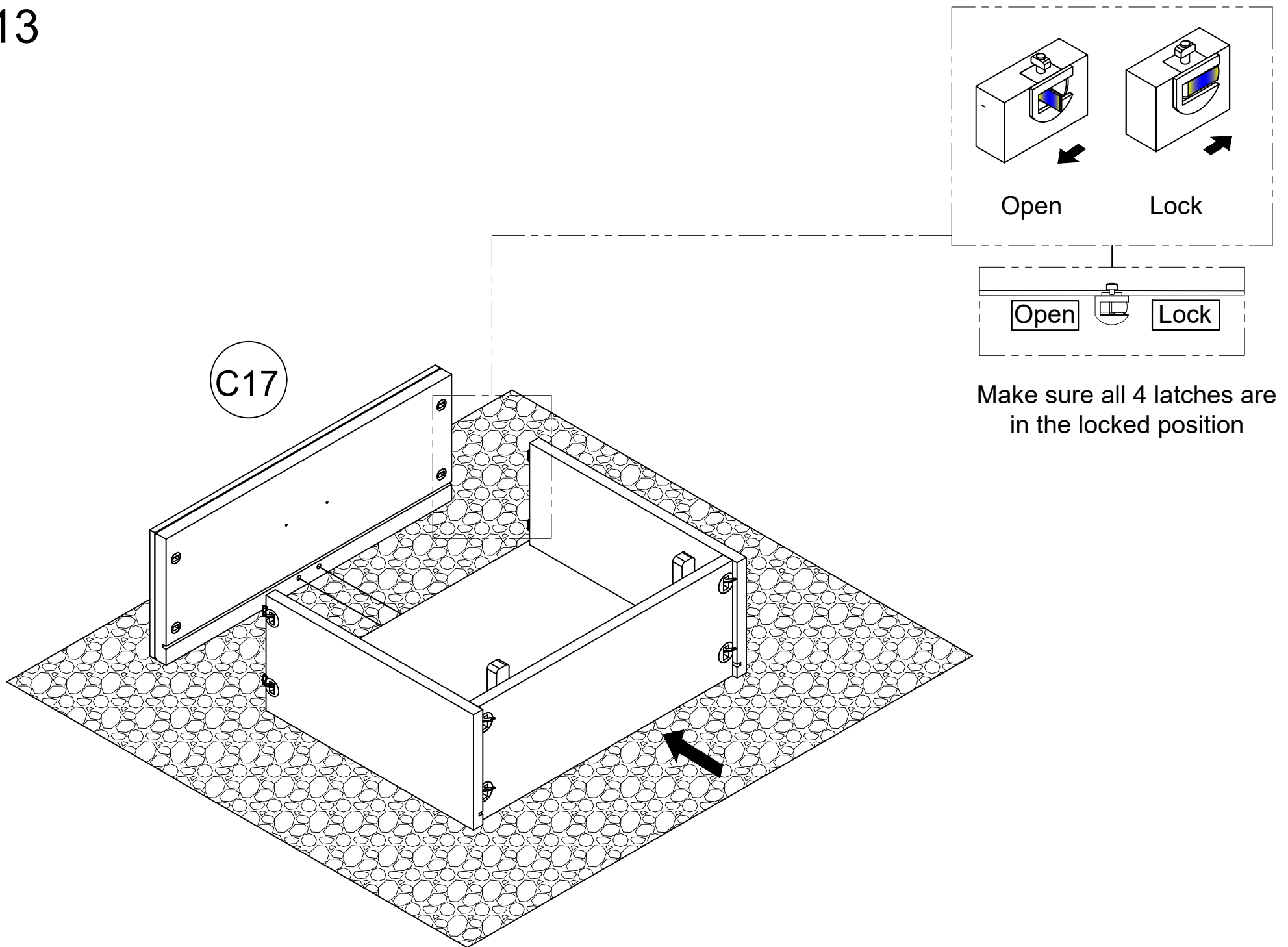


12

Slide (C18) drawer bottom into slot, then attach (C19) into position

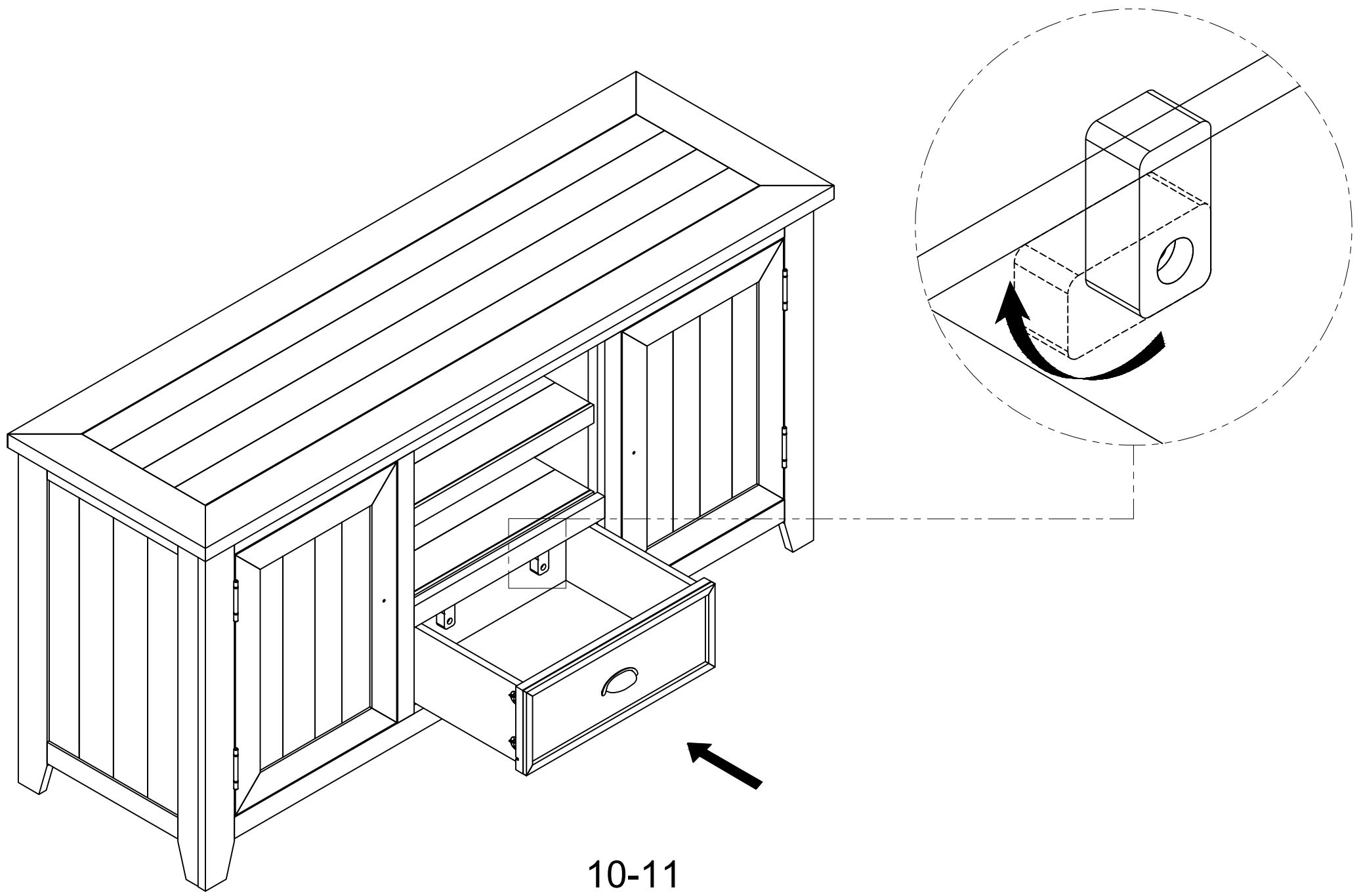


13



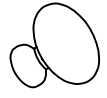
14

Flip latches up in order to secure drawer from sliding out

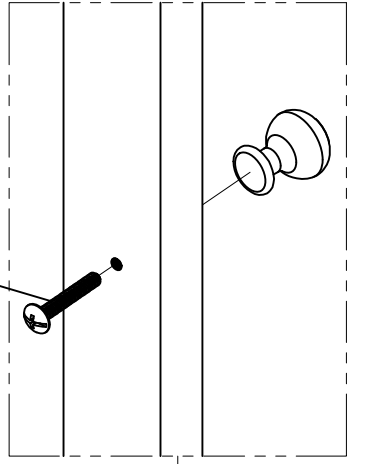
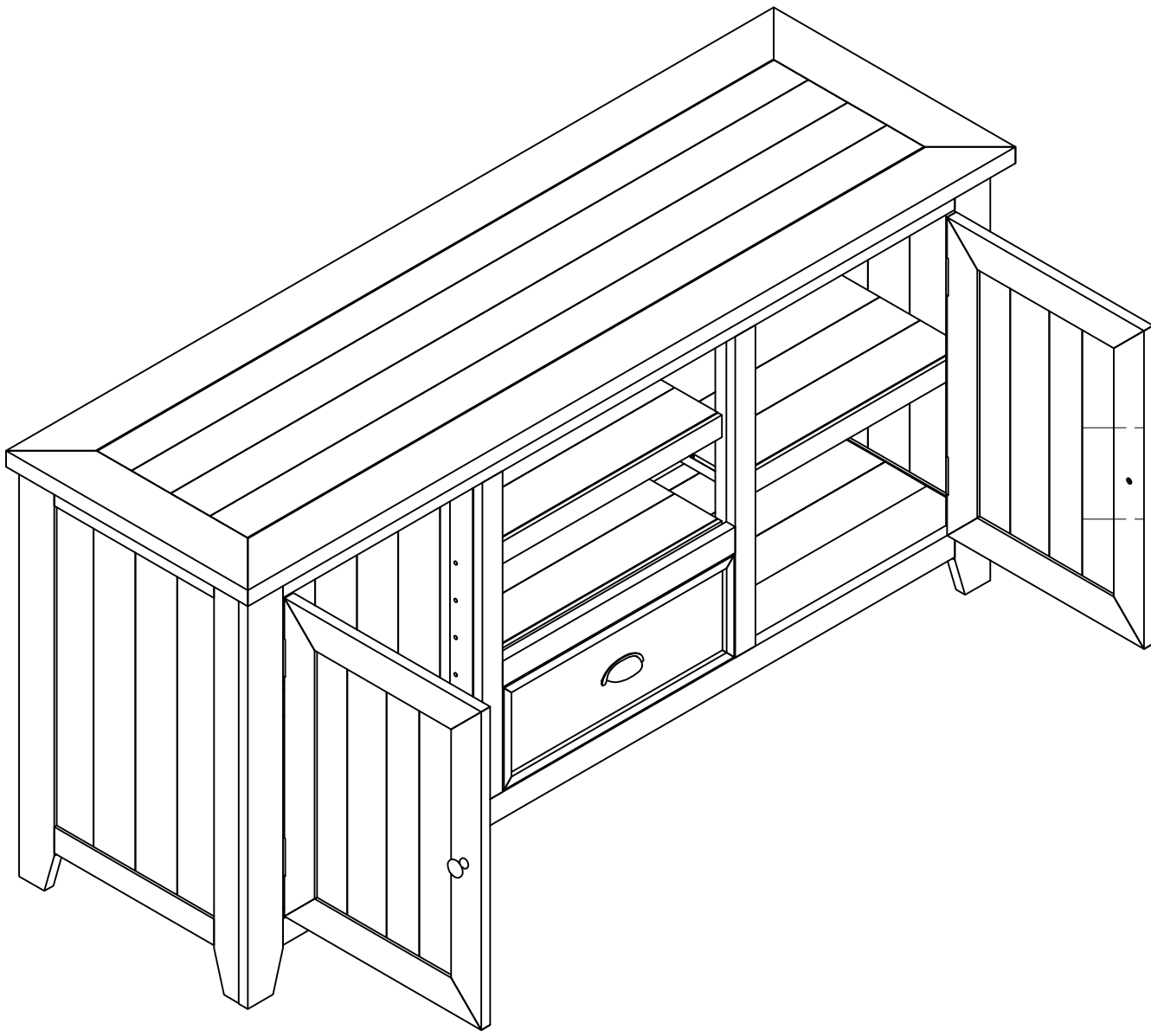


15

DX2

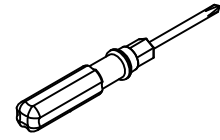


EX2

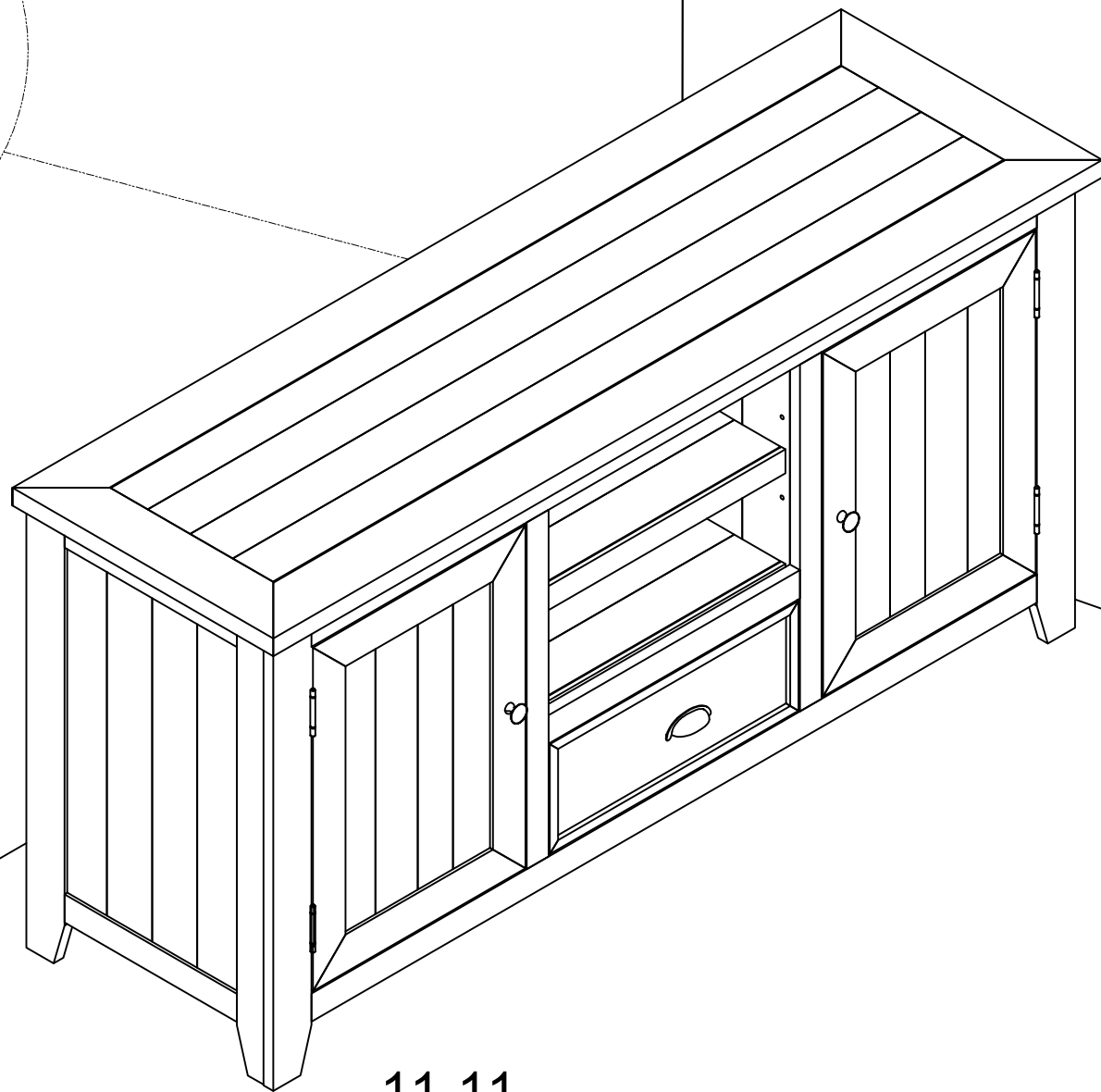
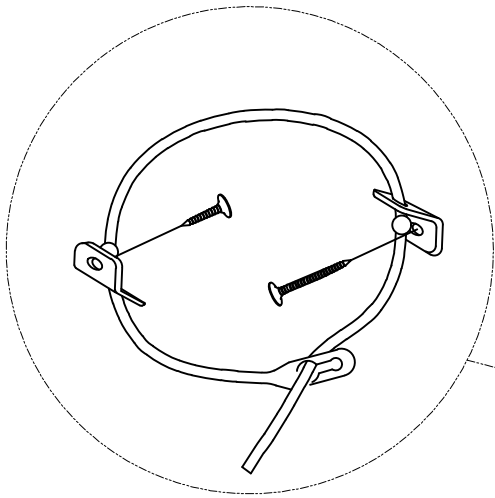
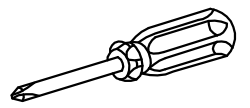


D

E



16



11-11