

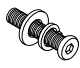



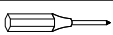






# ASSEMBLY INSTRUCTIONS

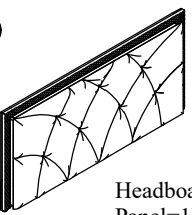

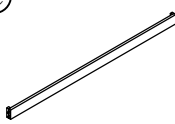
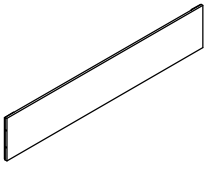

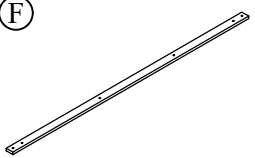
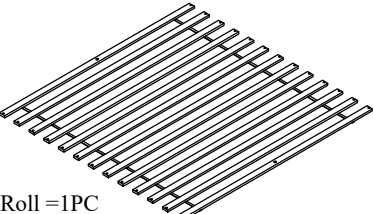
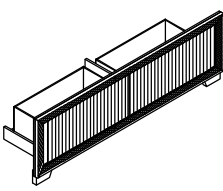

## KING BED 2477-13,14,12/15 & QUEEN BED 2477-10,11,12/15

**Caution:** Please read instructions thoroughly before unpacking assembly pars. Sharp exposed staple tips can cause injury, therefor, for your protection, please remove any exposed staled used in packing.

- 1-We recomed that you should assemble this product with the assistance of another person; this will make assembly easier, and will help to eliminate damage to the product or injury or persons during assembly.
- 2-Be sure to check all packing materials carefully for small parts that may have come loose inside the carton during shipment.
- 3-Please do not over tighten screw of bolts.
- 4-Please put all parts on a non-abrasive floor before assembly, and follow the assembly steps to assembly your newly purchased product correctly an efficiently.

Code	Hardware List For Headboard 2477-10 & 13	Qty	Code	Hardware List For Footboard 2477-11 & 14	Qty					
①	JCBC Bolt (Ø5/16" x 40mm)		6pcs	⑧	JCBC Bolt (Ø1/4" x 30mm)		4pcs			
	Sping washer (Ø5/16"x13x1.2)				Sping washer (Ø1/4"x13x1.2)					
	Flat washer (Ø5/16"x19x1)				Flat washer (Ø1/4"x19x1)					
②	JCBC Bolt (Ø1/4" x 38mm)		2pcs	⑨	Allen Key (L60*4mm)		1pc			
	Sping washer (Ø5/16"x13x1.2)				⑩			Wood Screw #8*25mm		26pcs
	Flat washer (Ø5/16"x19x1)									
③	Allen Key (L60*4mm)		1pc	<b>TOOLS REQUIRED (NOT PROVIDED)</b>						
Hardware List For Rail 2477-12/15				Screwdriver 						
④	Full thread bolt (Ø5/16"x90)		8pcs							
⑤	NUT washer (Ø5/16")		8pcs							
⑥	Corved Washer (Ø5/16")		8pcs							
⑦	Wrench key (12x90mm)		1pc							

### PARTS LIST

<b>(A)</b>  Headboard Panel=1PC	<b>(B)</b>  L/R Posts=2PCS	<b>(C)</b>  Headboard Bottom Stretcher = 1PC	<b>(D)</b>  Side Rails =2PCS	<b>(E)</b>  Long Support Leg for bed slats =3PCS
<b>(F)</b>  Center Slat=1PC	<b>(G)</b>  Slat Roll =1PC		<b>(H)</b>  Storage Footboard =1PC	<b>(I)</b>  Short Support Leg for storage =2PCS

# ASSEMBLY INSTRUCTIONS

KING BED 2477-13, 14, 12/15 & QUEEN BED 2477-10,11,12/15

