

**ASSEMBLY TIPS:**

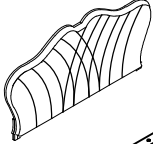
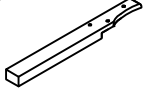



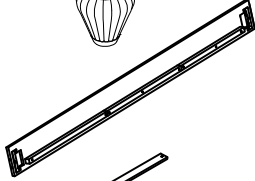
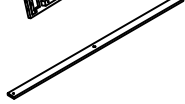

- 1.Remove hardware from box and sort by size.
- 2.Please check to see that all hardware and parts are present prior to start of assembly.
- 3.Please follow attached instructions in the same sequence as numbered to assure fast & easy assembly.

**Warning!**

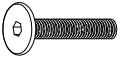

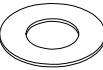



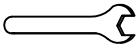
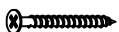


1. Don't attempt to repair or modify parts that are broken or defective. Please contact the store immediately.
2. This product is for home use only and not intended for commercial establishment.

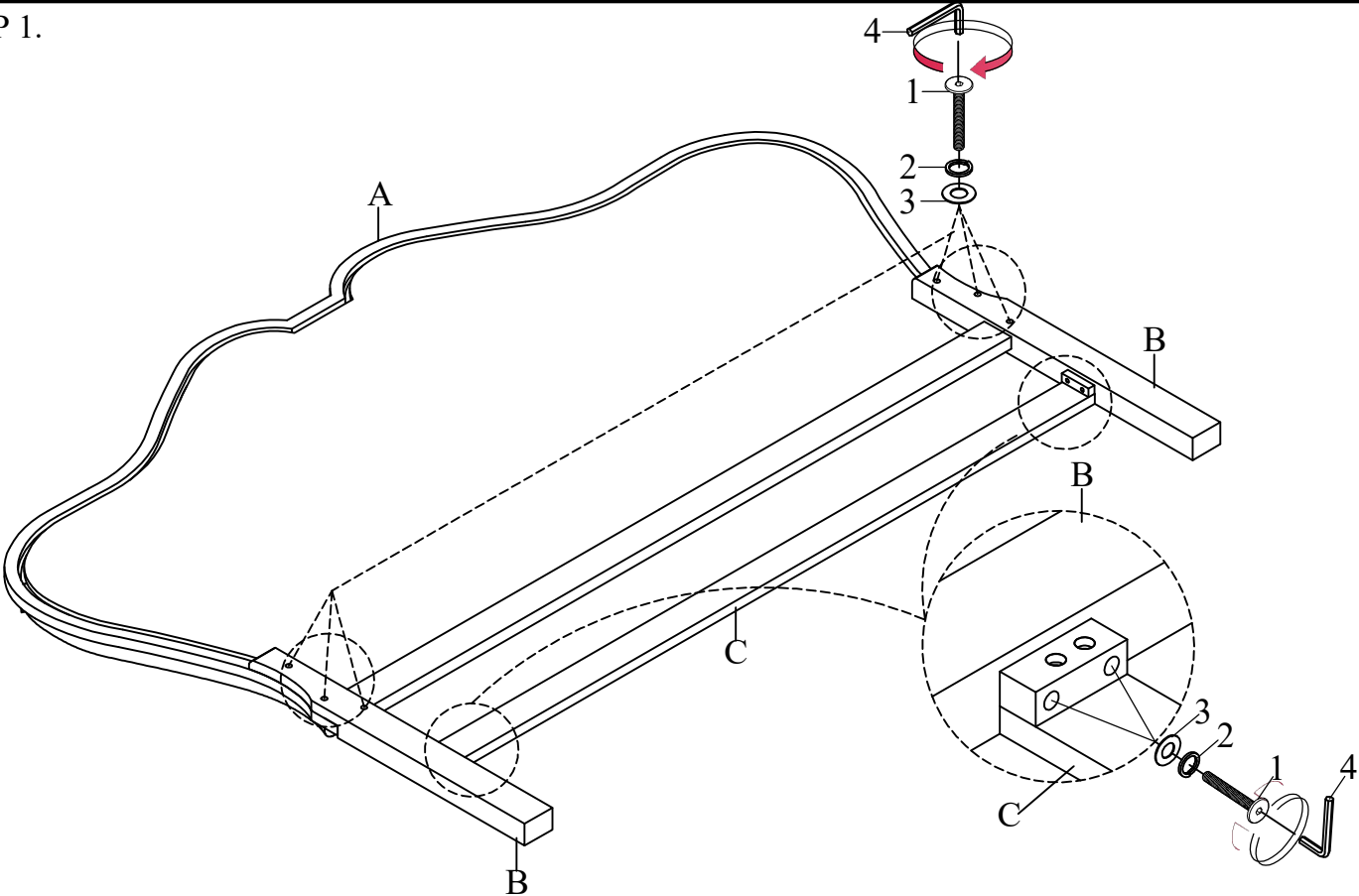
**PARTS IDENTIFICATION**

A		Headboard	1PC
B		H/Board leg (R/ L)	2PCS
C		Bottom Rail	1PC
D		Footboard	1PC
E		Footboard Leg	2PCS
F		Bed rail	2PCS
G		Bed slat	4PCS
H		Bed slat support with leveler	4PCS

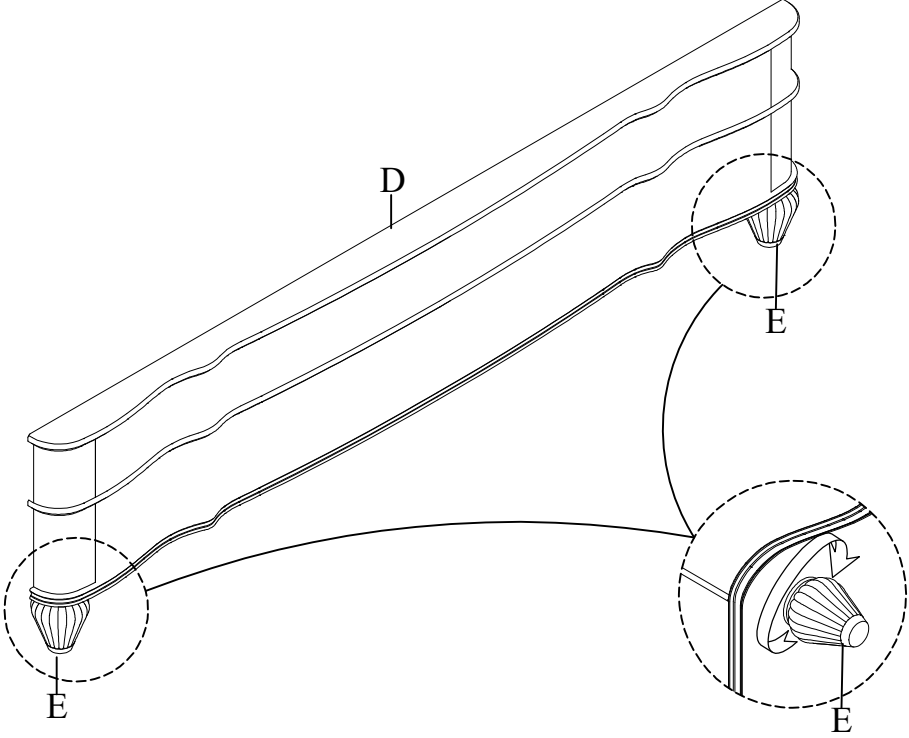
**HARDWARE IDENTIFICATION**

1		Bolt	Ø5/16"*50(Ø13)	10PCS
2		Lock washer	Ø5/16"*Ø12*1.5	10PCS
3		Flat washer	Ø5/16"*Ø18*1.5	10PCS
4		Allen wrench	5MM	1PC
5		Threaded Stud	Ø5/16"*90mm	8PCS
6		Hex Nut	Ø5/16"*Ø12*H8	8PCS
7		Wrench	Ø12mm	1PC
8		Screw	#4*30mm	8PCS

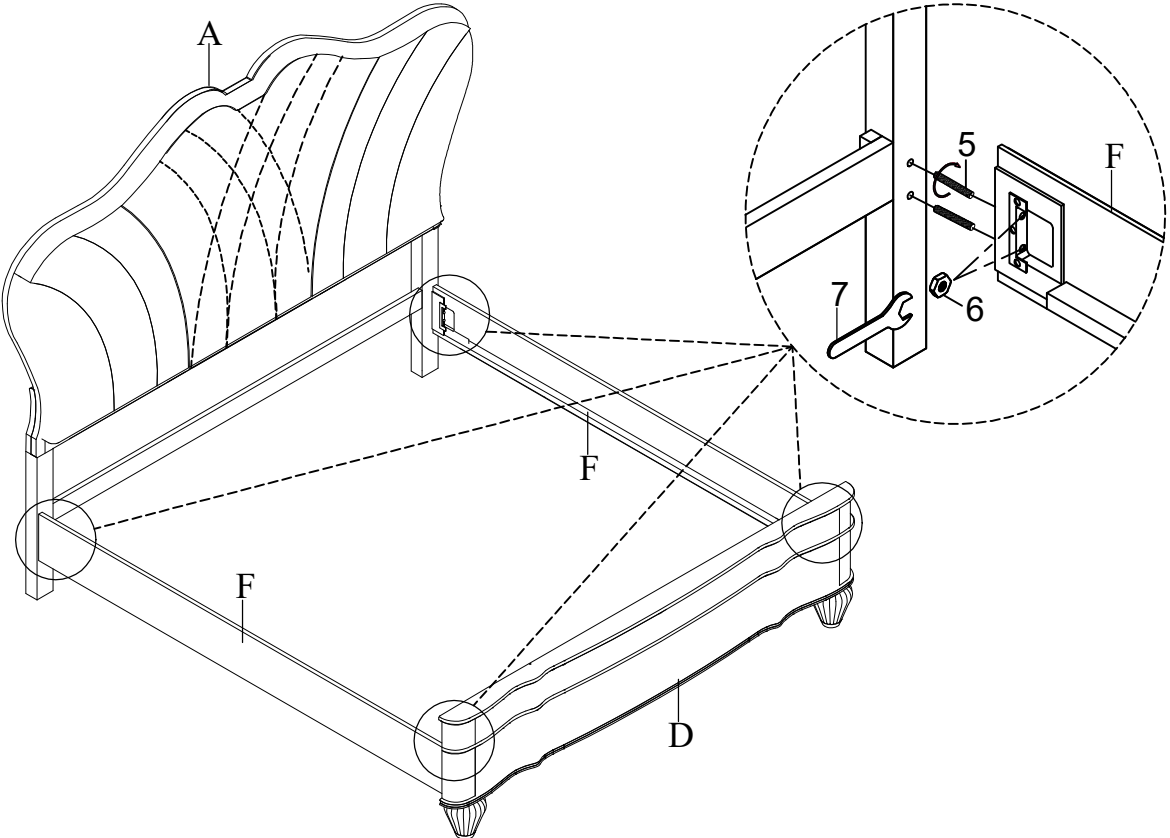
STEP 1.



STEP 2.



STEP 3.



STEP 4.

