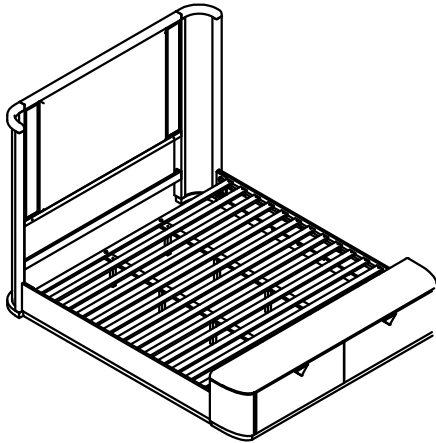


ASSEMBLY INSTRUCTIONS

KING BED STORAGE F2422-13/14/15

Caution: Please read instructions thoroughly before unpacking assembly parts. Sharp exposed staple tips can cause injury, therefore, for your protection, please remove any exposed staples used in packing.

- 1 We recommend that you should assemble this product with the assistance of another person; this will make assembly easier, and will help to eliminate damage to the product or injury to persons during assembly
- 2 Be sure to check all packing materials carefully for small parts that may have come loose inside the carton during shipment.
- 3 Please do not over-tighten screws or bolts
- 4 Please put all parts on a non-abrasive floor before assembly, and follow the assembly steps to assemble your newly purchased product correctly and efficiently



Hardware List For Headboard - F2422-13

1		Bolt (Ø5/16" x 45mm)	8 Pcs
2		Spring washer (Ø5/16"x13x1.2)	10 Pcs
3		Flat washer (Ø5/16"x19x2)	10 Pcs
4		Bolt (Ø1/4" x 40mm)	2 Pcs
5		Allen Key M4 x L100 mm	1 Pc

Hardware For Footboard F 2422-14

4		Bolt (Ø1/4" x 40mm)	4 Pcs
10		Spring washer (Ø1/4"x13x1.2)	4 Pcs
11		Flat washer (Ø1/4"x19x2)	4 Pcs
5		Allen Key M4 x L100 mm	1 Pc
12		Wood Screw Ø4x25	26 Pcs

Hardware List For Rails F 2422-15

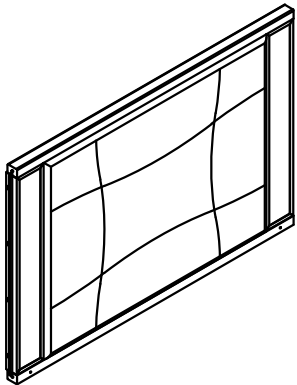
6		FULL THREAD BOLT (Ø5/16"x80)	8 Pcs
7		Corved Washer (Ø5/16")	8 Pcs
8		NUT washer (Ø5/16")	8 Pcs
9		Wrench key' 1/2"x90mm	1 Pc



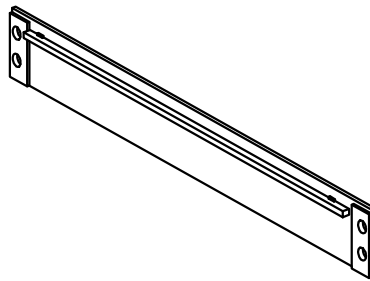
Tool Required: Please use a screwdriver for the screwdriver is not included

PARTS LIST - LISTA DE PARTES

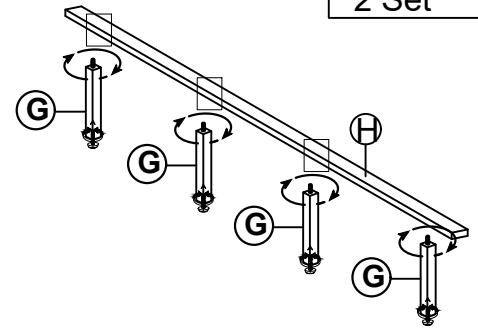
A x 1 Pc



E x 2 Pcs



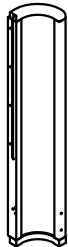
2 Set



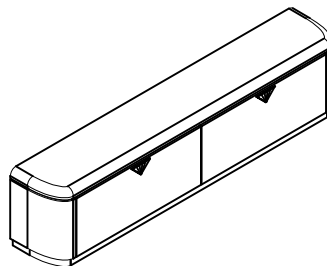
B x 1 Pc



C x 1 Pc



F x 1 Pc



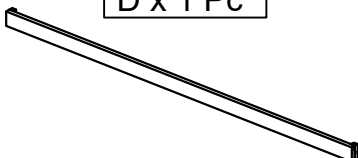
G x 8 Pcs



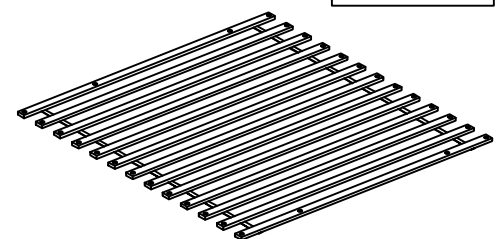
H x 2 Pcs



D x 1 Pc



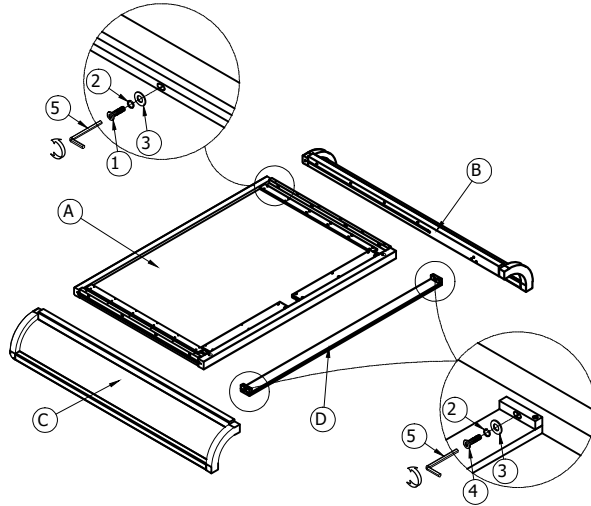
I x 1 Set



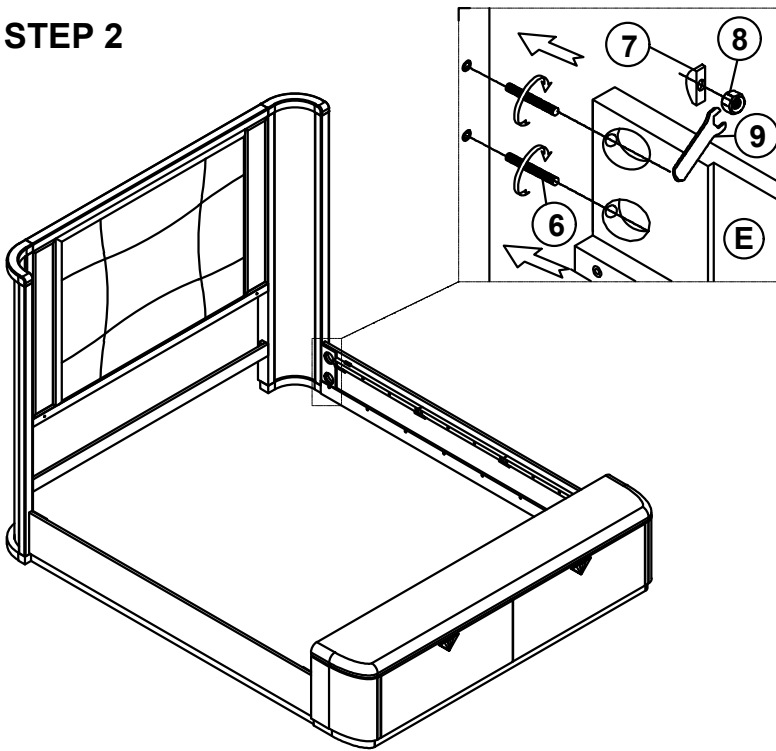
ASSEMBLY INSTRUCTIONS

KING BED STORAGE F2422-13/14/15

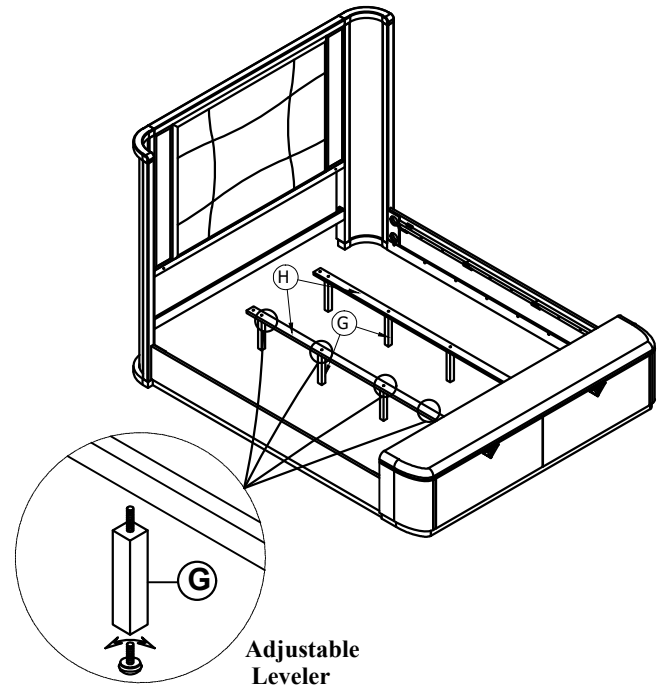
STEP 1



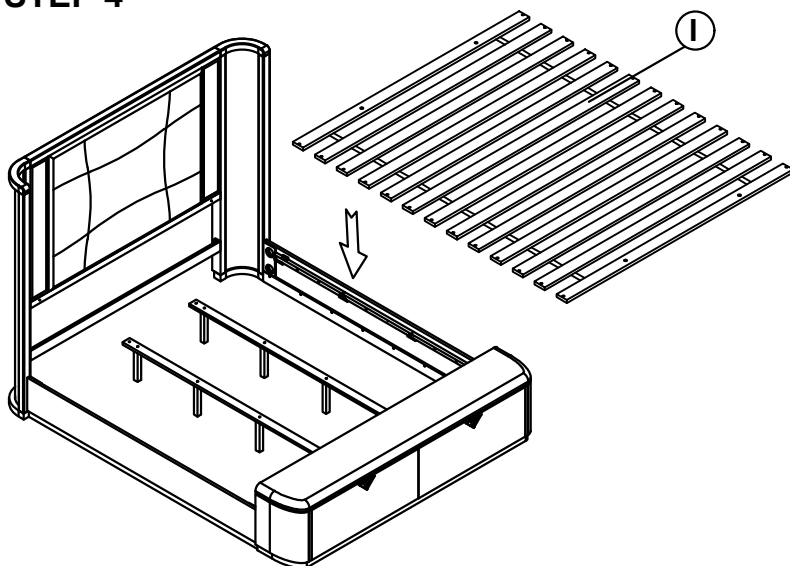
STEP 2



STEP 3



STEP 4



STEP 5

