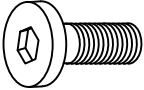
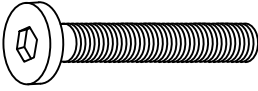
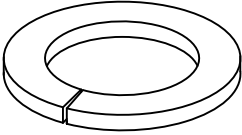
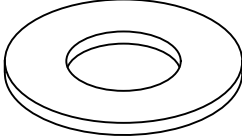
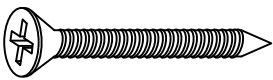

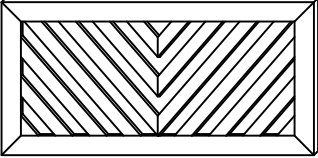
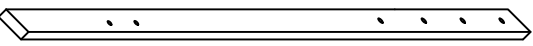
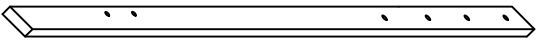


# DENVER BEDROOM SET - KINGBED ASSEMBLY INSTRUCTION

## HARDWARE LIST

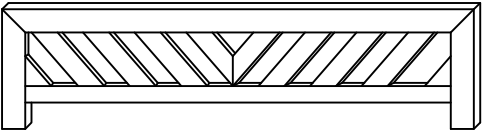
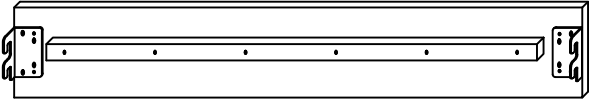
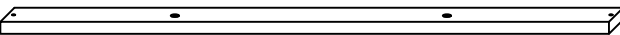
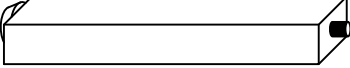
ITEM	DESCRIPTION	DRAWING	QTY
1	JCBC SCREW (M8 x 16mm)		8 PCS
2	JCBC SCREW (M8 x 40mm)		8 PCS
3	SPRING WASHER (M8 x 14mm)		8 PCS
4	FLAT WASHER (M8 x 22mm)		8 PCS
5	CSK SCREW (M4 x 32mm)		8 PCS
6	L-KEY (M5 x 65mm)		1 PC

## PARTS LIST

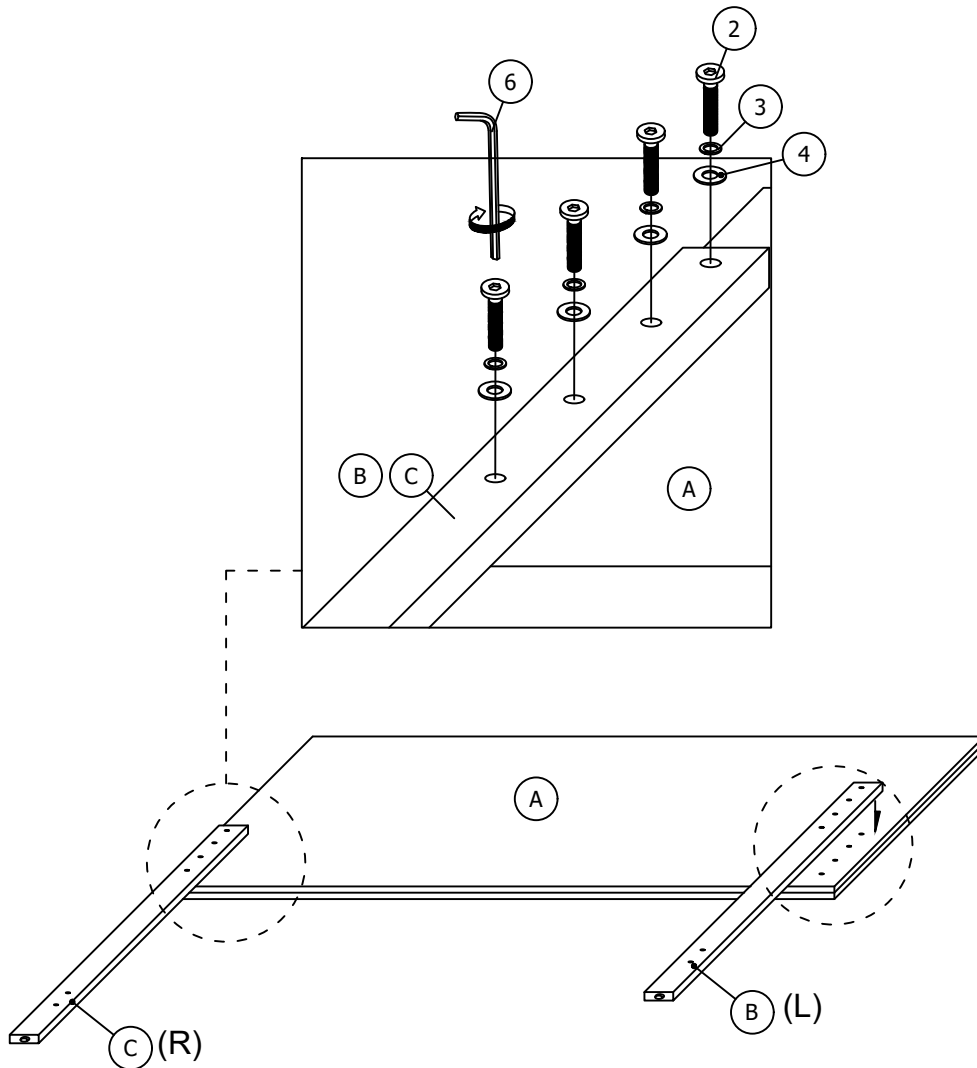
ITEM	DESCRIPTION	DRAWING	QTY
A	HEADBOARD		1 PC
B	HEADBOARD LEG (L)		1 PC
C	HEADBOARD LEG (R)		1 PC

# DENVER BEDROOM SET - KING BED ASSEMBLY INSTRUCTION

## PARTS LIST

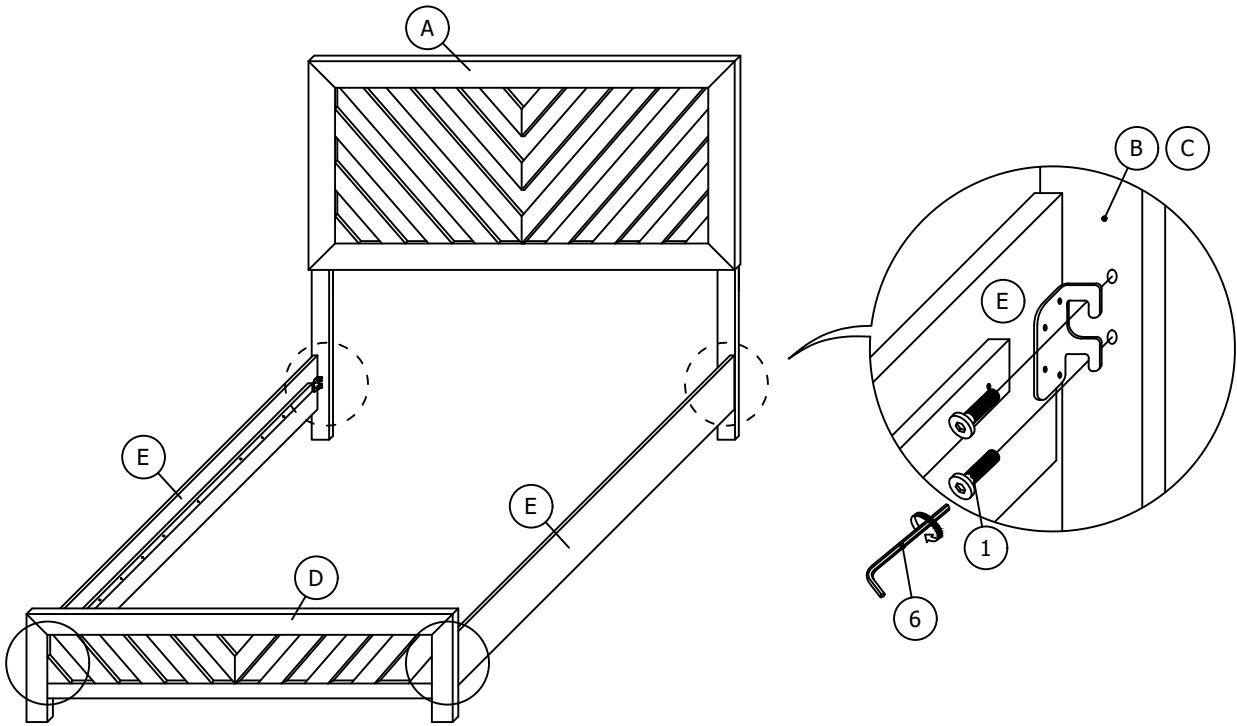
ITEM	DESCRIPTION	DRAWING	QTY
D	FOOTBOARD		1 PC
E	SIDE RAIL		2 PCS
F	SLAT		4 PCS
G	SUPPORT LEG		8 PCS

### STEP 1

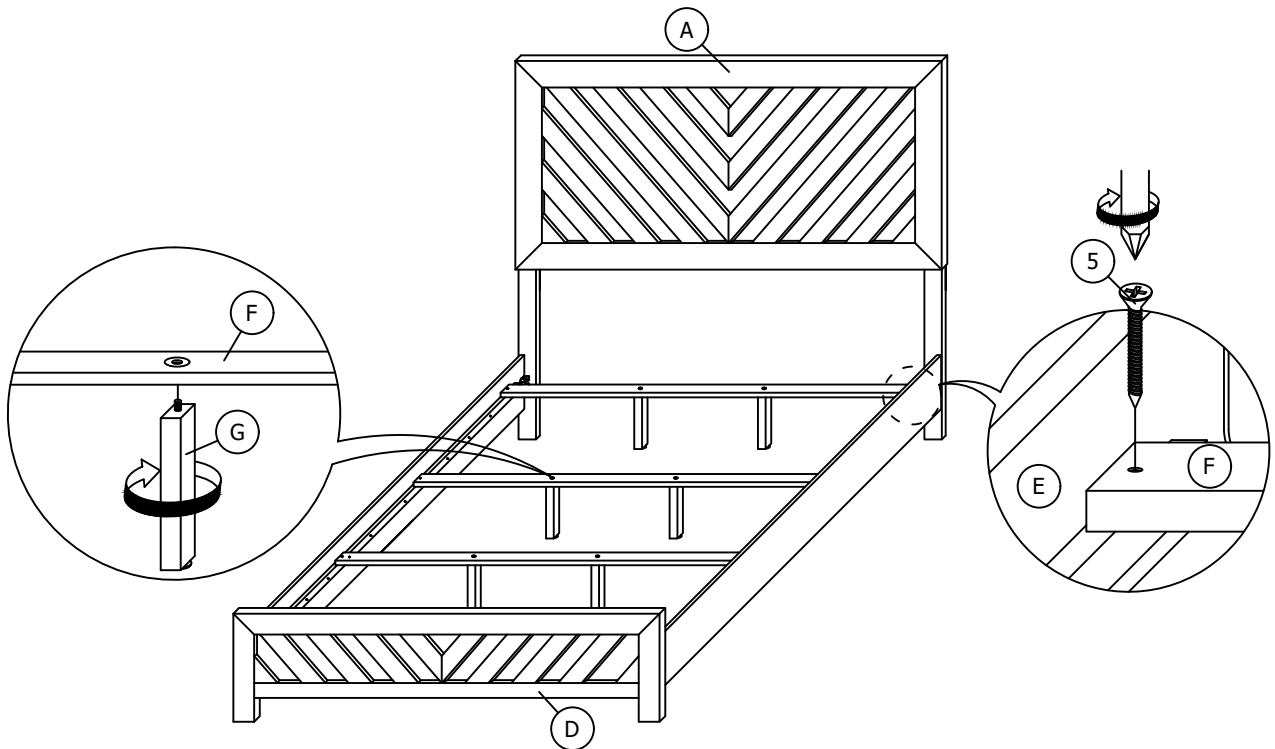


# DENVER BEDROOM SET - KING BED ASSEMBLY INSTRUCTION

## STEP 2



## STEP 3



**ASSEMBLY COMPLETED**