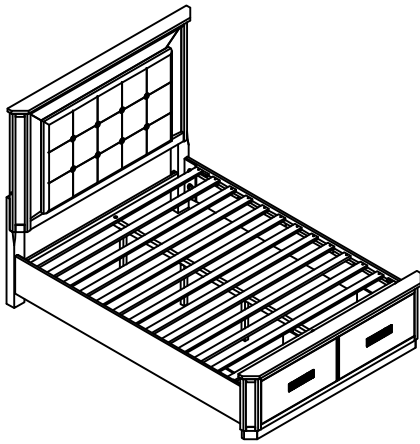


ASSEMBLY INSTRUCTIONS

QUEEN BED STORAGE -10/11-STG/12

Caution: Please read instructions thoroughly before unpacking assembly parts. Sharp exposed staple tips can cause injury, therefore, for your protection, please remove any exposed staples used in packing.

- 1 We recommend that you should assemble this product with the assistance of another person; this will make assembly easier, and will help to eliminate damage to the product or injury or persons during assembly
- 2 Be sure to check all packing materials carefully for small parts that may have come loose inside the carton during shipment.
- 3 Please do not over tighten screw or bolts
- 4 Please put all parts on a non-abrasive floor before assembly, and follow the assembly steps to assemble your newly purchased product correctly and efficiently

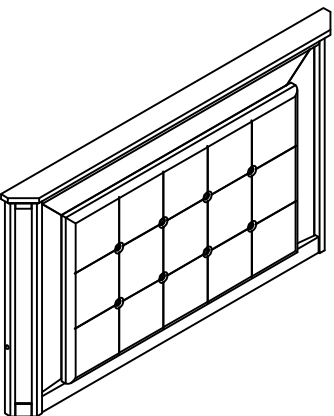
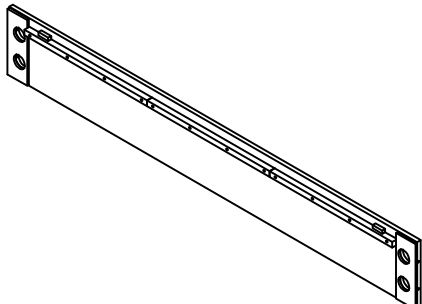
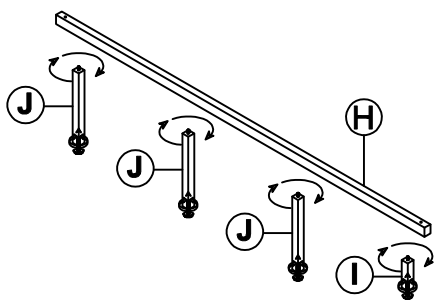
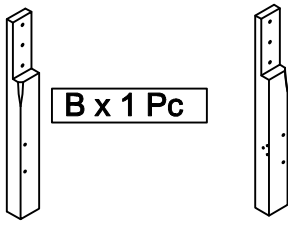
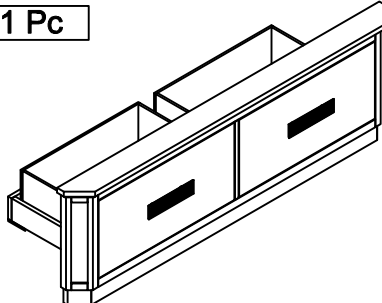
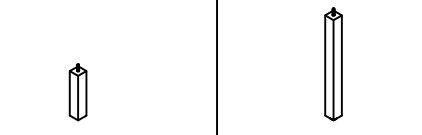
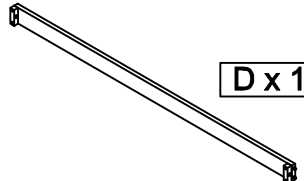

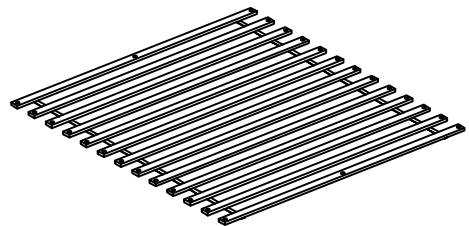


Hardware List For Headboard -10			
1		Bolt (Ø5/16" x 50mm)	6 Pcs
2		Spring washer (Ø5/16"x13x1.2)	6 Pcs
3		Flat washer (Ø5/16"x19x2)	6 Pcs
4		Bolt (Ø1/4" x 38mm)	2 Pcs
5		Spring washer (Ø1/4"x13x1.2)	2 Pcs
6		Flat washer (Ø1/4"x19x2)	2 Pcs
7		Allen Key M4 x L57 mm	1 Pcs
Hardware List For Rails -12/15			
8		FULL THREAD BOLT (Ø5/16"x80)	8 Pcs
9		Corved Washer (Ø5/16")	8 Pcs
10		NUT washer (Ø5/16")	8 Pcs
11		Wrench key' 1/2"x90mm	1 Pcs

Hardware For Footboard -11-STG			
4		Bolt (Ø1/4" x 38mm)	4 Pcs
5		Spring washer (Ø1/4"x13x1.2)	4 Pcs
6		Flat washer (Ø1/4"x19x2)	4 Pcs
7		Allen Key M4 x L57 mm	1 Pcs
12		Wood Screw Ø4x25	26 Pcs
13		Straight Allen Key M4 x L100	1 Pcs

Tool Required: Please use a screwdriver for the screwdriver is not included

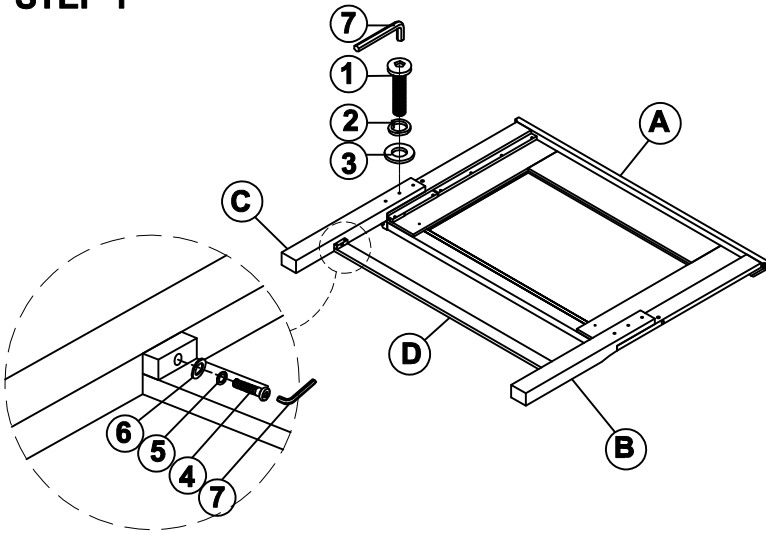
PARTS LIST - LISTA DE PARTES

 <p>A x 1 Pc</p>	 <p>E x 2 Pcs</p>	 <p>H x 1 Pc</p>
 <p>B x 1 Pc C x 1 Pc</p>	 <p>F x 1 Pc</p>	 <p>I x 1 Pc J x 3 Pcs</p>
 <p>D x 1 Pc</p>	 <p>G x 2 Pcs</p>	 <p>L x 1 Set</p>

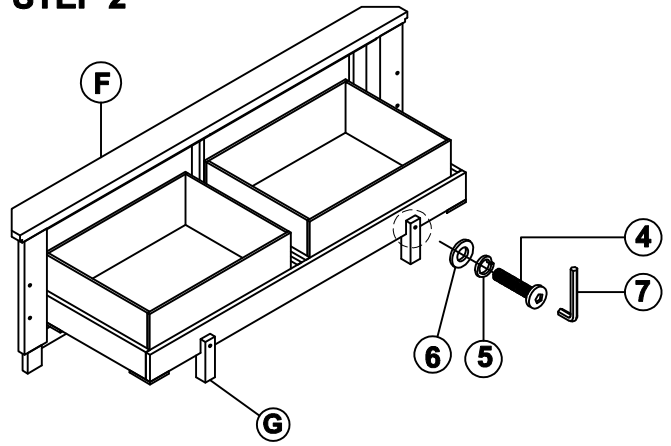
ASSEMBLY INSTRUCTIONS

QUEEN BED STORAGE -10/11-STG/12

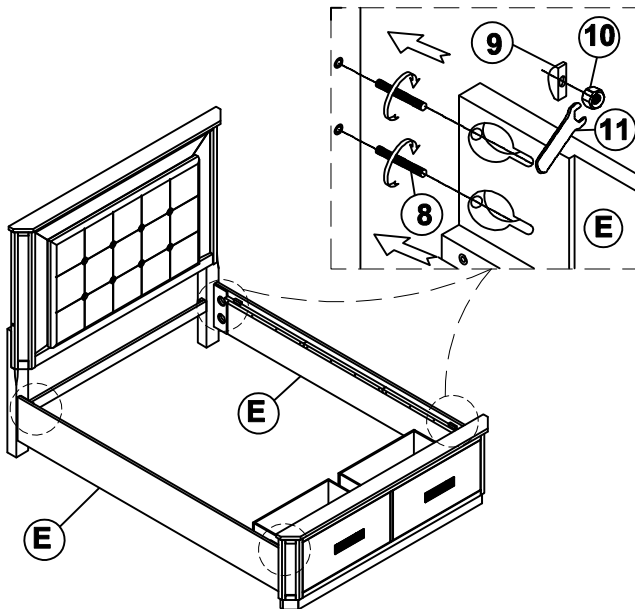
STEP 1



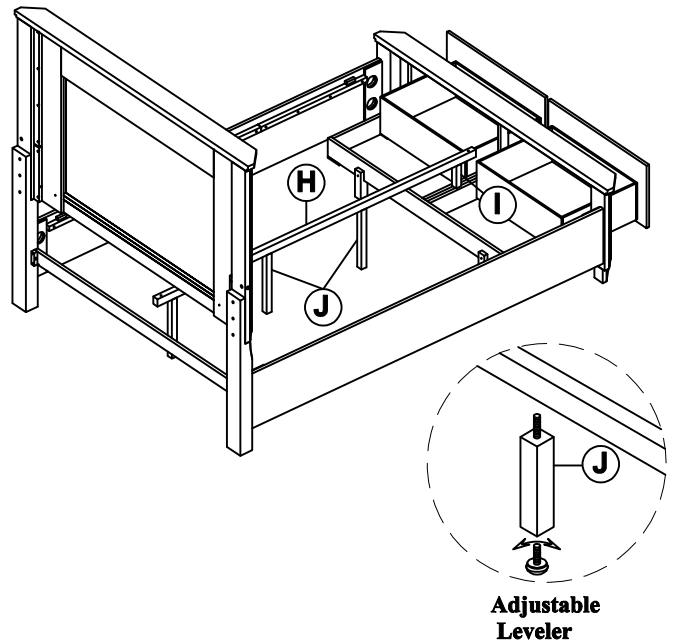
STEP 2



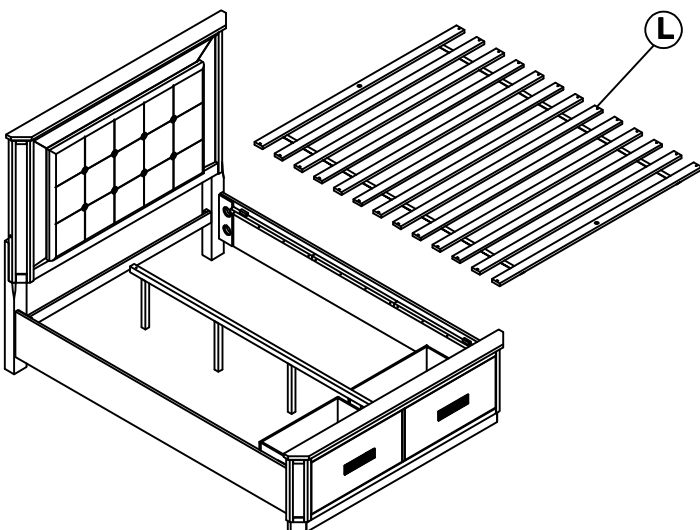
STEP 3



STEP 4



STEP 5



STEP 6

