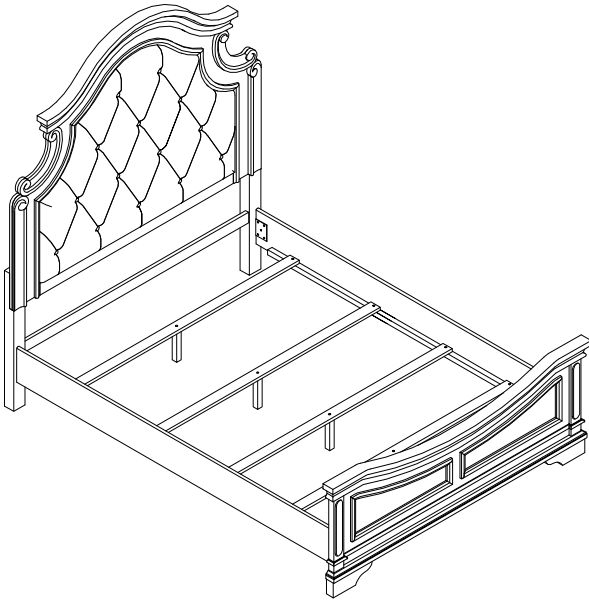


ASSEMBLY INSTRUCTIONS

DESCRIPTION: QUEEN BED

Caution: Please read instructions thoroughly before unpacking assembly parts. Sharp, exposed staple tips can cause injury, therefore, for your protection, please remove any exposed staple used in packing.

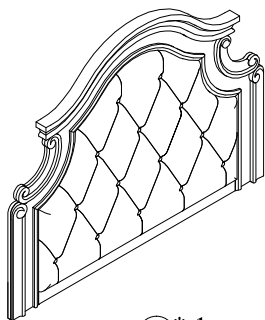
1. We recommend that you should assemble this product with the assistance of another person; this will make assembly easier, and will help to eliminate damage to the product or injury to persons during assembly.
2. Be sure to check all packing materials carefully for small parts that may have come loose inside the carton during shipment.
3. please do not over tighten screws or bolts.
4. Please put all parts on a non-abrasive floor before assembly, and follow the assembly steps to assemble your newly purchased product correctly and efficiently.



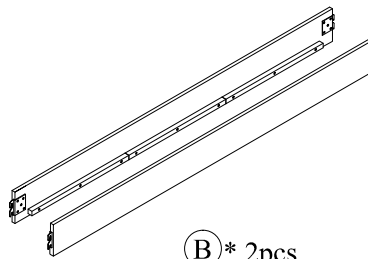
HARDWARE LISTS

NO.	DESCRIPTION	SKETCH	QTY
a	ALLEN BOLT (Ø5/16"*2"L)		6PCS
b	ALLEN BOLT (Ø5/16"*1-1/2"L)		2PCS
c	LOCK WASHER (Ø5/16")		8PCS
d	FLAT WASHER (Ø5/16")		8PCS
e	ALLEN KEY (4mm)		1PC
f	Wood Screw (#8*1-1/4")		8PCS

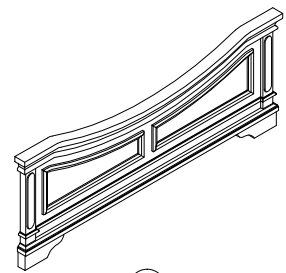
PART LISTS



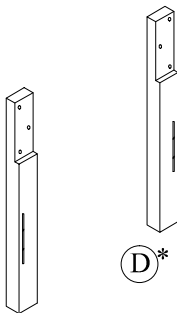
A* 1pc



B* 2pcs

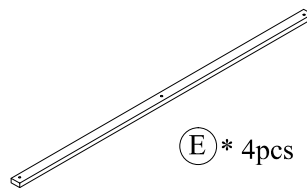


C* 1pc

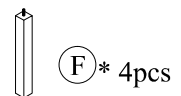


D* 1pc (L)

D* 1pc (R)



E* 4pcs

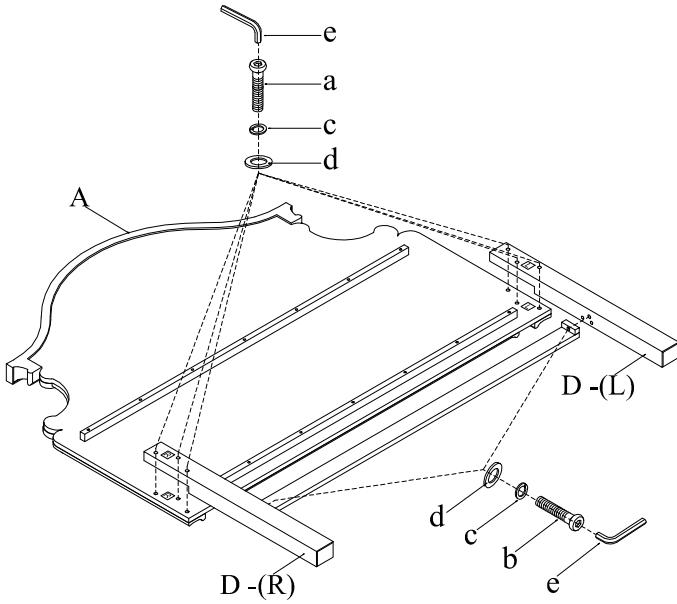


F* 4pcs

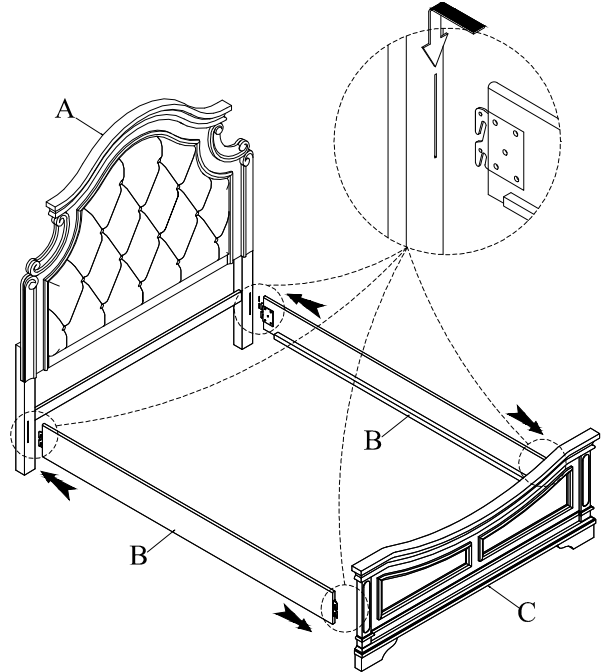
ASSEMBLY INSTRUCTIONS

DESCRIPTION: QUEEN BED

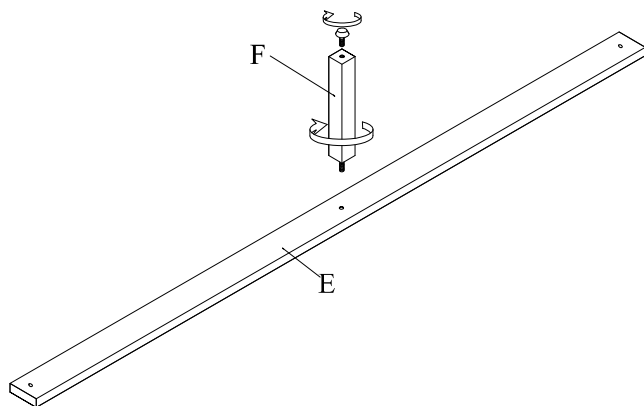
STEP 1:



STEP 2:

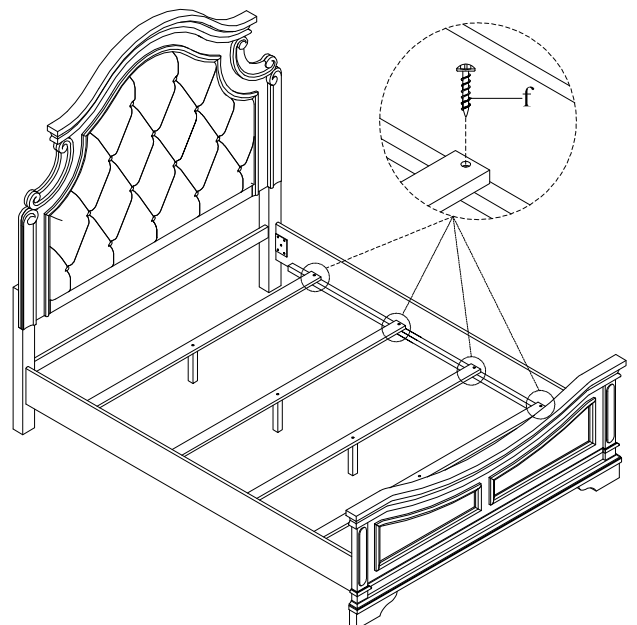


STEP 3:



STEP 4:

* Insert all the screw with other side



Completed

MADE IN VIETNAM

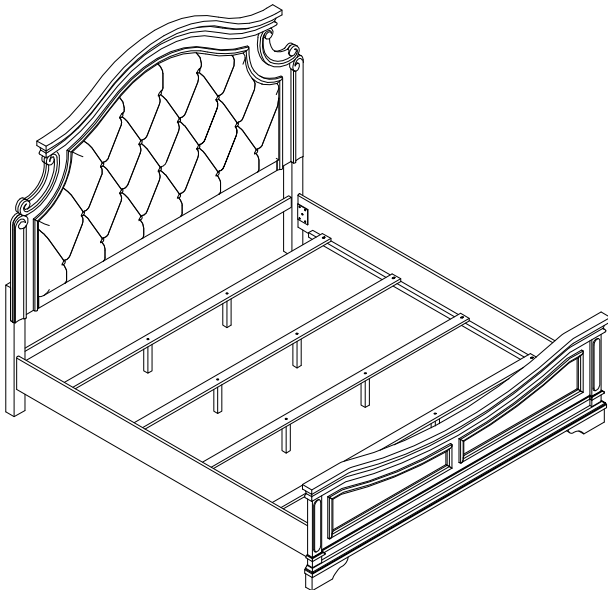
PAGE: 2 OF 2

ASSEMBLY INSTRUCTIONS

DESCRIPTION: KING BED

Caution: Please read instructions thoroughly before unpacking assembly parts. Sharp, exposed staple tips can cause injury, therefore, for your protection, please remove any exposed staple used in packing.

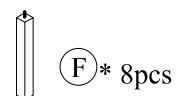
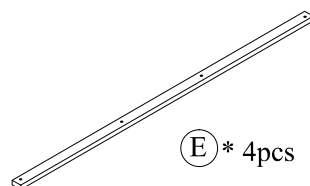
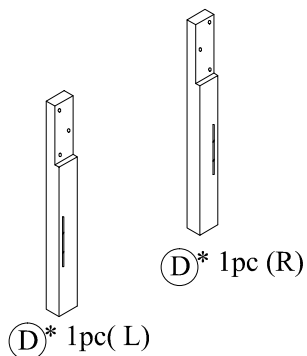
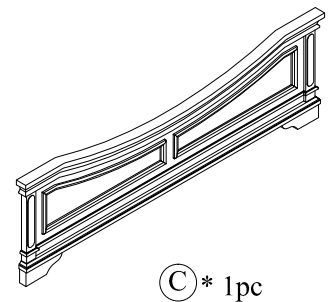
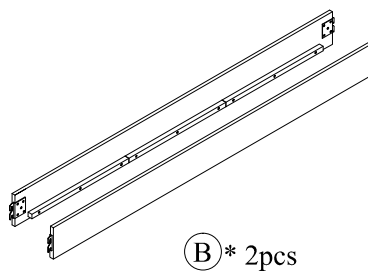
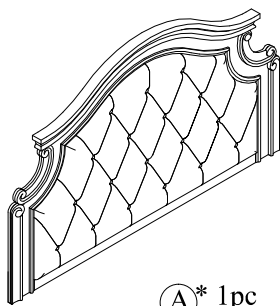
1. We recommend that you should assemble this product with the assistance of another person; this will make assembly easier, and will help to eliminate damage to the product or injury to persons during assembly.
2. Be sure to check all packing materials carefully for small parts that may have come loose inside the carton during shipment.
3. please do not over tighten screws or bolts.
4. Please put all parts on a non-abrasive floor before assembly, and follow the assembly steps to assemble your newly purchased product correctly and efficiently.



HARDWARE LISTS

NO.	DESCRIPTION	SKETCH	QTY
a	ALLEN BOLT (Ø5/16"*2"L)		6PCS
b	ALLEN BOLT (Ø5/16"*1-1/2"L)		2PCS
c	LOCK WASHER (Ø5/16")		8PCS
d	FLAT WASHER (Ø5/16")		8PCS
e	ALLEN KEY (4mm)		1PC
f	Wood Screw (#8*1-1/4")		8PCS

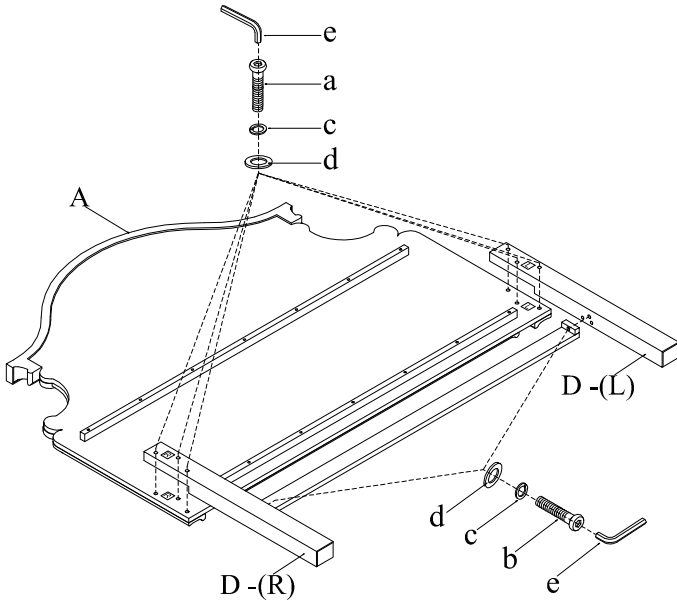
PART LISTS



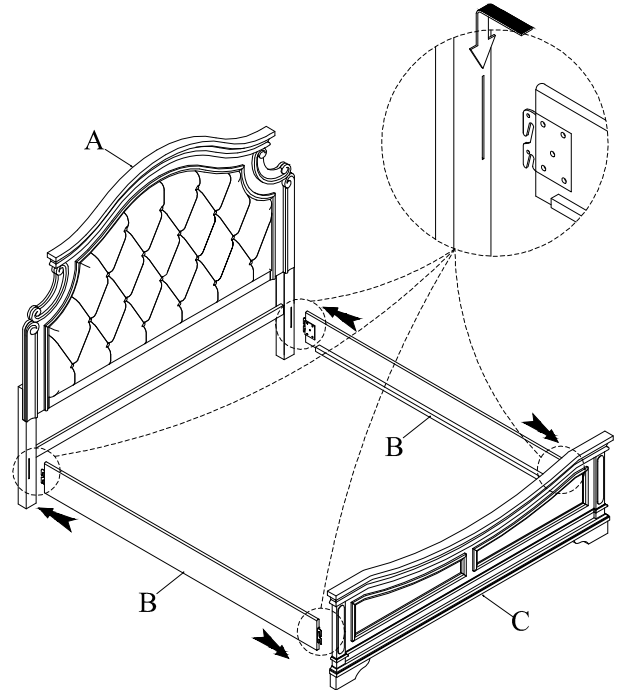
ASSEMBLY INSTRUCTIONS

DESCRIPTION: KING BED

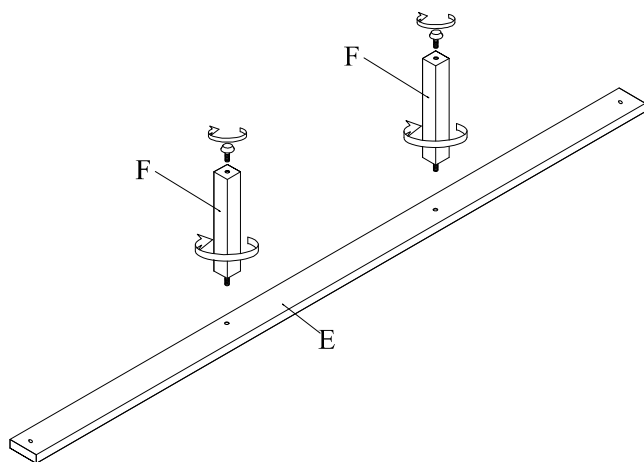
STEP 1:



STEP 2:

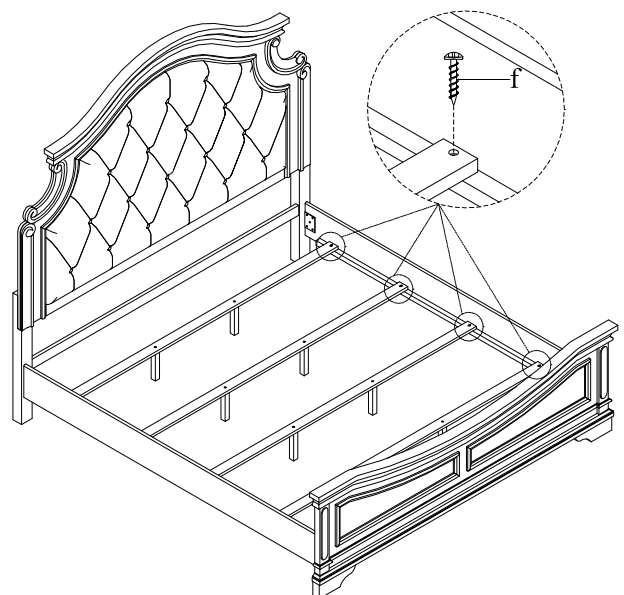


STEP 3:



STEP 4:

* Insert all the screw with other side



Completed

MADE IN VIETNAM

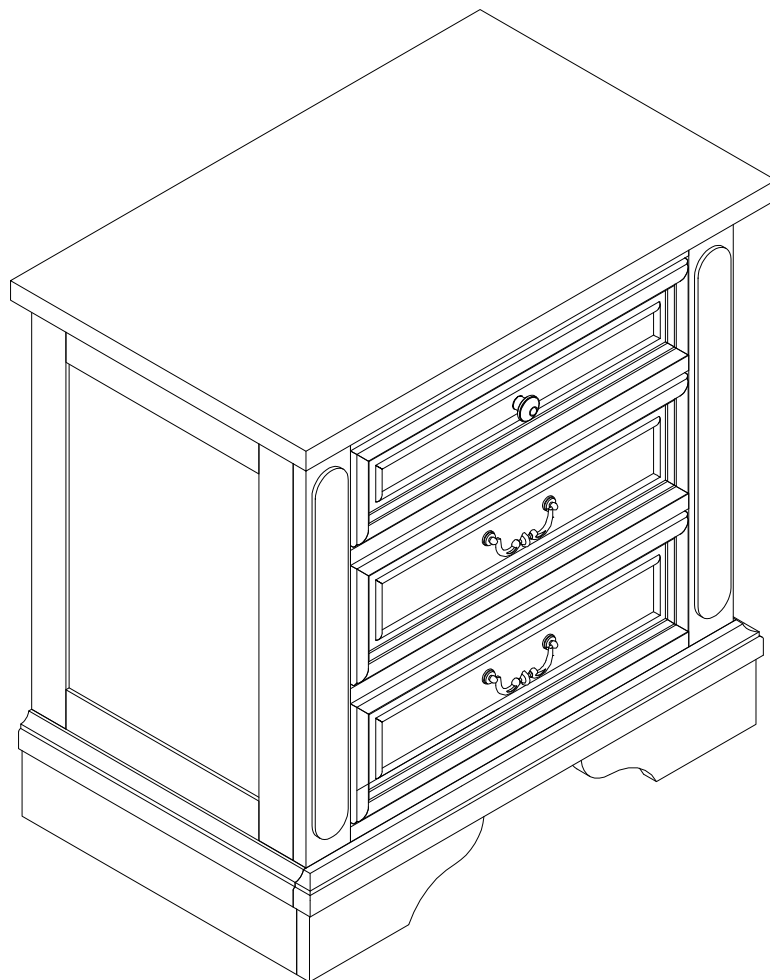
PAGE: 2 OF 2

ASSEMBLY INSTRUCTIONS

DESCRIPTION: NIGHT STAND

Caution: Please read instructions thoroughly before unpacking assembly parts. Sharp, exposed staple tips can cause injury, therefore, for your protection, please remove any exposed staple used in packing.

1. We recommend that you should assemble this product with the assistance of another person; this will make assembly easier, and will help to eliminate damage to the product or injury to persons during assembly.
2. Be sure to check all packing materials carefully for small parts that may have come loose inside the carton during shipment.
3. please do not over tighten screws or bolts.
4. Please put all parts on a non-abrasive floor before assembly, and follow the assembly steps to assemble your newly purchased product correctly and efficiently.

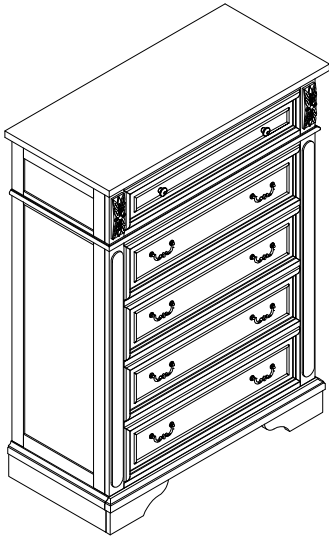


ASSEMBLY INSTRUCTIONS


DESCRIPTION: DRAWER CHEST

Caution: Please read instructions thoroughly before unpacking assembly parts. Sharp, exposed staple tips can cause injury, therefore, for your protection, please remove any exposed staple used in packing.

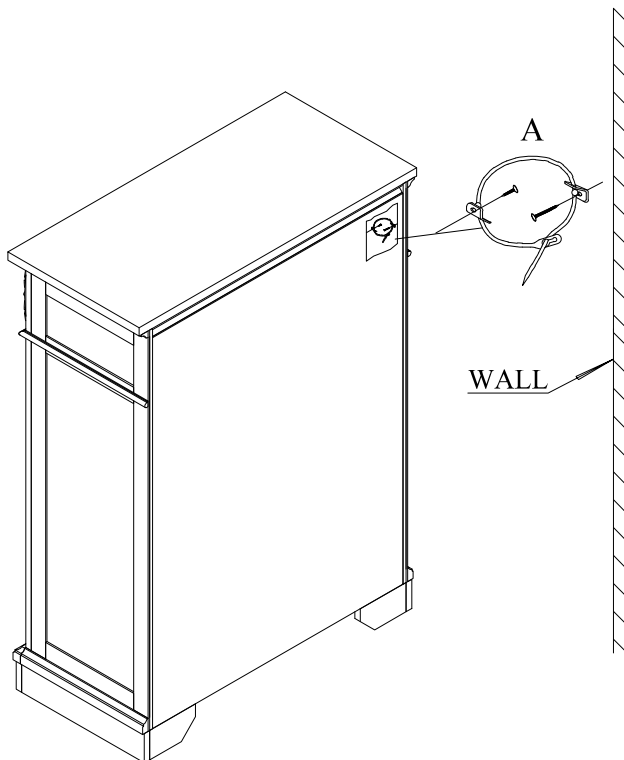
1. We recommend that you should assemble this product with the assistance of another person; this will make assembly easier, and will help to eliminate damage to the product or injury to persons during assembly.
2. Be sure to check all packing materials carefully for small parts that may have come loose inside the carton during shipment.
3. please do not over tighten screws or bolts.
4. Please put all parts on a non-abrasive floor before assembly, and follow the assembly steps to assemble your newly purchased product correctly and efficiently.



PART LISTS

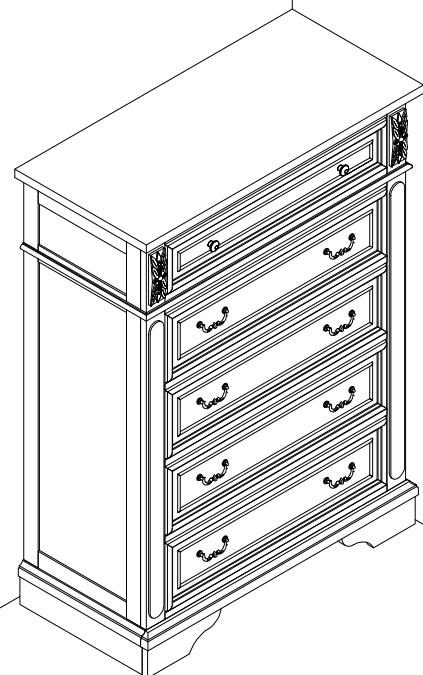
NO.	DESCRIPTION	SKETCH	Q'TY
A	TIPPING RESTRAINT		1SET

STEP 1:



STEP 2:

WALL



Completed




MADE IN VIETNAM

PAGE 1 OF 1





ASSEMBLY INSTRUCTIONS

DESCRIPTION: MIRROR & DRESSER

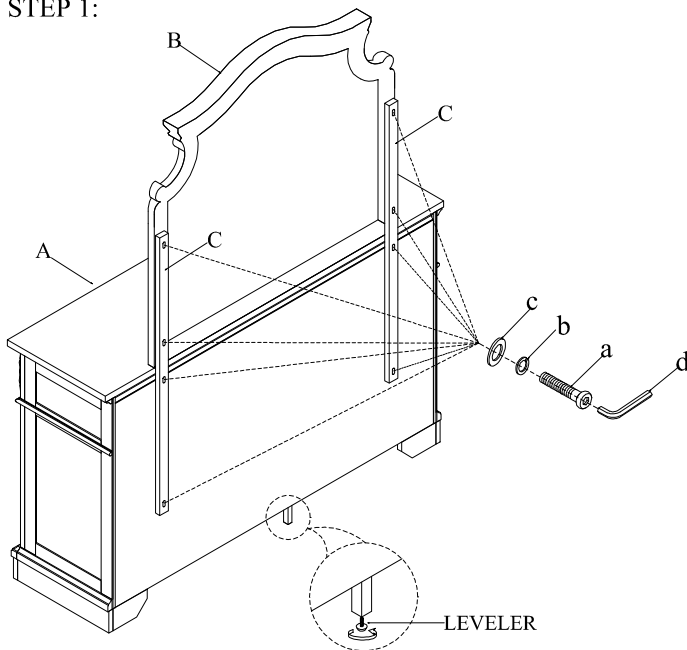
PART LISTS

NO.	DESCRIPTION	SKETCH	Q'TY
A	DRESSER		1PC
B	MIRROR		1PC
C	BACK RAIL		2PCS

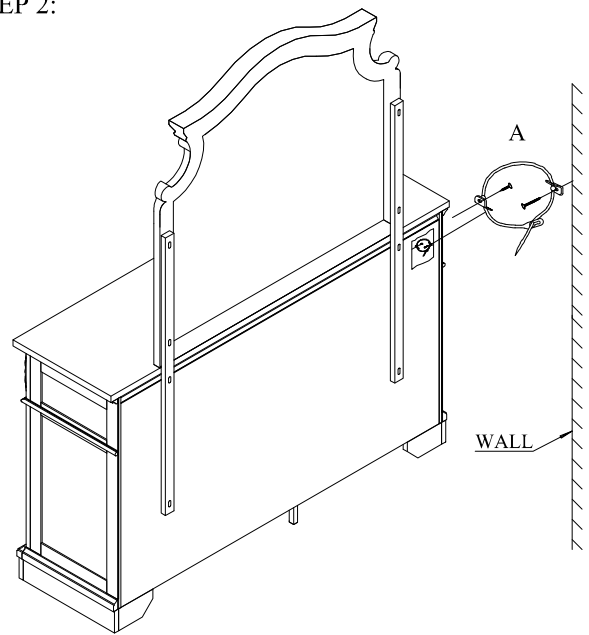
HARDWARE LISTS

NO.	DESCRIPTION	SKETCH	Q'TY
a	ALLEN BOLT (Ø1/4"*1-1/2")		8pcs
b	LOCK WASHER (Ø1/4")		8pcs
c	FLAT WASHER (Ø1/4")		8pcs
d	ALLEN KEY (4mm)		1pc

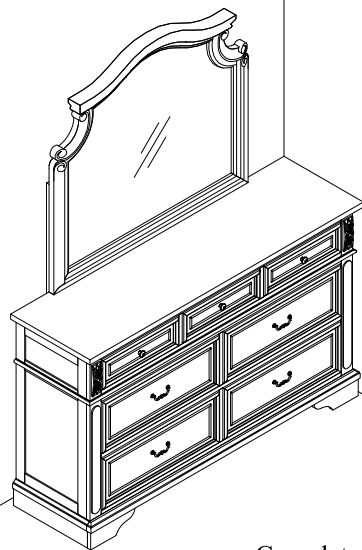
STEP 1:



STEP 2:



WALL



Completed

MADE IN VIETNAM